



V2 Technical Troubleshooting: Remove the Platform from the Liftgate

Purpose: To stow a disabled liftgate for transport to a maintenance facility.

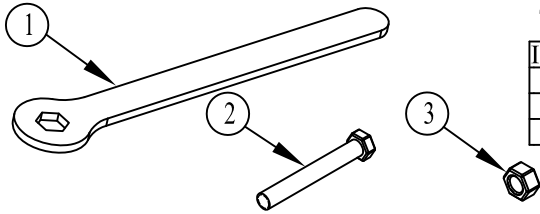


Table 1: Kit Contents

ITEM NO.	QTY.	PART NO.	DESCRIPTION
1	1	017862	9/16" HEX WRENCH-PLATED
2	1	000498	3/8-16x2-3/4" HEX HEAD CAP SCREW
3	1	000550	3/8-16 HEX NUT

Figure 1: Kit contents.

Preparing the Liftgate

1. **Verify** you have all necessary parts of the kit. (Figure 1, Table 1)
2. **Lower** the liftgate to the ground, or place supports beneath it to prevent it from shifting.
3. **Manually Trip** the Tommy Gate circuit breaker, located near the battery on the red cable, to disconnect the power. (Figure 2)

Push the red button to disconnect the power.

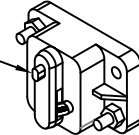


Figure 2: Circuit breaker.

Removing the Platform from the Liftgate

Caution: The driver's side arm is spring loaded and will swing away from the vehicle when freed. **Stand clear** of its path or **prevent** it from moving.

1. **Remove** the four hex head bolts from each of the pivot pins. (Figure 3)
2. **Thread** the nut onto the end of the bolt to protect the threads. (Figure 4)
3. **Position** the nut and bolt inline with one of the pivot pins.
4. **Tap** the bolt with a hammer to remove the pivot pin. Do not push on the pin with your thumb or fingers.
5. **Repeat** steps 3 and 4 to remove each of the top two joints on both arms as marked in Figure 3.
6. **Manually Fold** the arms and cylinders up and **restrain** them so that the van doors can be closed.
7. **Store** the platform in the van.
8. **Have your liftgate serviced** by a Tommy Gate distributor.

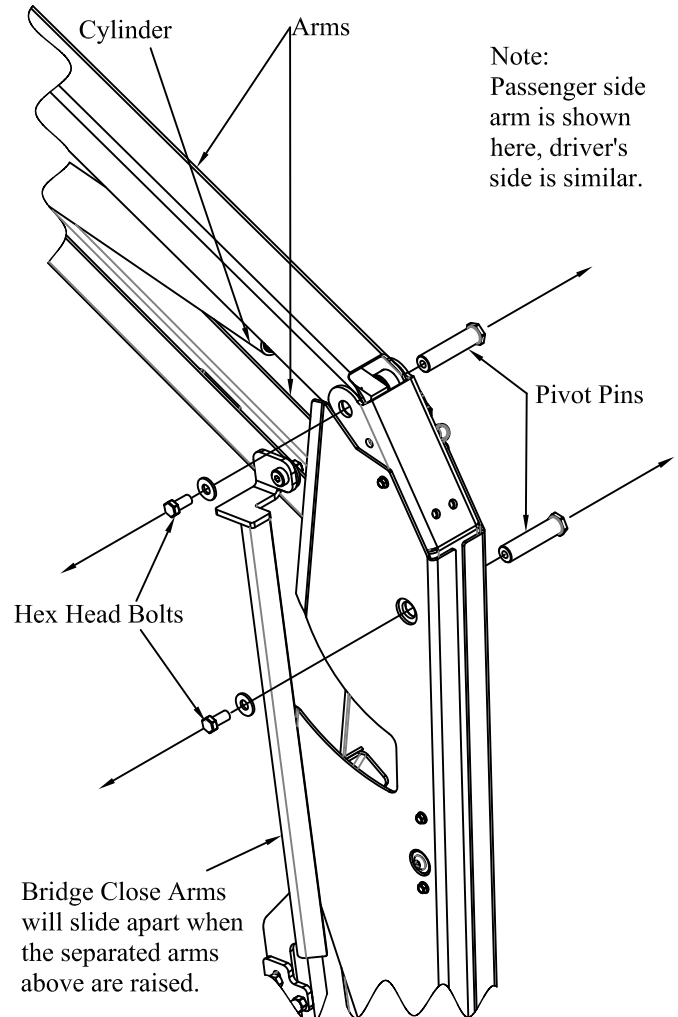


Figure 3: Removing the pivot pins.

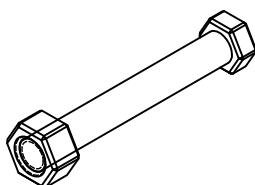


Figure 4: Nut and bolt assembly.



V2 Technical

Troubleshooting Instructions

DPN: 095258



V2 Technical

Troubleshooting Instructions

DPN: 095258

DPN: 095258

Troubleshooting Instructions

V2 Technical

