

Repair Tuckunder Platform Coil Spring Instructions 2500/3000 Models

These instructions will assist you in replacing platform coil springs on a Tuckunder Series Tommy Gate lift with an EA or TP platform.

WARNING! The platform could weigh up to 350 lbs. Use appropriate lifting equipment or personnel to complete this repair.

Removing the Platform Springs

1. Lower the platform from the stowed position until the springs are loose on the platform (Figure 1).
2. Verify the springs are not under tension.
3. Remove the 3/8" x 3-1/2" spring bolts (Figure 2-3).
4. Remove the spring holder plates, coil spring holders, and coil springs (Figure 2-3).

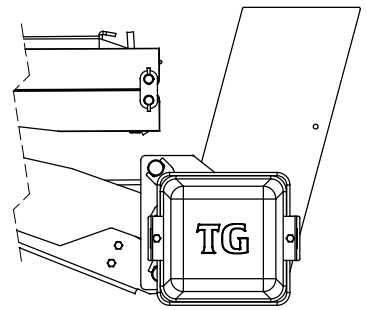


Figure 1: Platform Folded and Level.

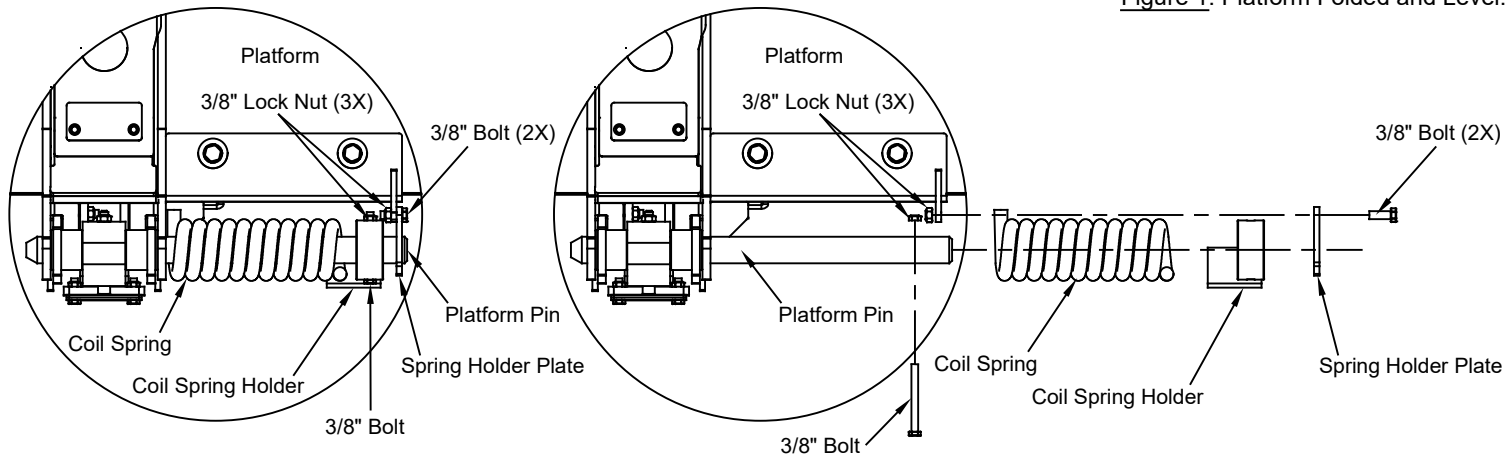


Figure 2: Platform Hardware installed (other side similar).

Figure 3: Platform Hardware removed (other side similar).

Installing the Platform Springs

1. Install the spring holder plates, coil spring holders, and coil springs (Figure 2-3).

NOTE: Spring holders are stamped with a number (Figure 4). Refer to Table 1.

2. Install the 3/8" x 3-1/2" spring bolts (Figure 2-3)
3. Test for proper operation.
4. Raise and Latch the platform in the stored position.

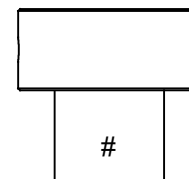


Figure 4: Spring holder plates identifying #.

TABLE 1: Spring holder identifying number.

PLATFORM	DR. SIDE	PASS. SIDE
50EA	3	*N/A
60EA	1	1
50TP	3	1
60TP	1	3

*50EA platforms do not use a spring on the passenger side.