

DETAILED LIFTGATE DIMENSIONS



FLATBED, STAKE, & VAN BODY

RAILGATE
SERIES



STANDARD BED HEIGHT STEEL-FRAME MODELS

			A	B	C	D ¹	E	F	G	H
	Maximum Truck Bed Height	Lifting Capacity	Platform Loading Width	Clear Opening Between Uprights	Overall Platform Width	Frame Width Outside Uprights	Upright Height	Platform Loading Depth	Taper	Height of Upright Above Mainframe
73-XX TP37	48	1600 & 2000 lb. Capacities	71	70-3/4	73	76-3/4	70	37	6	42-7/8
73-XX TP42	48		71	70-3/4	73	76-3/4	70	42	6	42-7/8
73-XX EA55	48		71-1/2	70-3/4	73	76-3/4	70	55	12	42-7/8
73-XX GBR	48		71	70-3/4	73	76-3/4	70	30	12	42-7/8
79-XX TP37	48		77	76-3/4	79	82-3/4	70	37	6	42-7/8
79-XX TP42	48		77	76-3/4	79	82-3/4	70	42	6	42-7/8
79-XX EA55	48		77-1/2	76-3/4	79	82-3/4	70	55	12	42-7/8
79-XX GBR	48		77	76-3/4	79	82-3/4	70	30	12	42-7/8
85-XX TP37	55		83	82-3/4	85	88-3/4	70	37	6	42-7/8
85-XX TP42	55		83	82-3/4	85	88-3/4	70	42	6	42-7/8
85-XX EA55	55		83-1/2	82-3/4	85	88-3/4	70	30	12	42-7/8
85-XX GBR	55		83	82-3/4	85	88-3/4	70	30	12	42-7/8
89-XX TP37	55		87	86-3/4	89	92-3/4	70	37	6	42-7/8
89-XX TP42	55		87	86-3/4	89	92-3/4	70	42	6	42-7/8
89-XX EA55	55		87-1/2	86-3/4	89	92-3/4	70	55	12	42-7/8
89-XX GBR	55		87	86-3/4	89	92-3/4	70	30	12	42-7/8
95-XX TP37	55		93	92-3/4	95	98-3/4	70	37	6	42-7/8
95-XX TP42	55		93	92-3/4	95	98-3/4	70	42	6	42-7/8
95-XX EA55	55		93-1/2	92-3/4	95	98-3/4	70	55	12	42-7/8
95-20 GBR	55		93	92-3/4	95	98-3/4	70	30	12	42-7/8

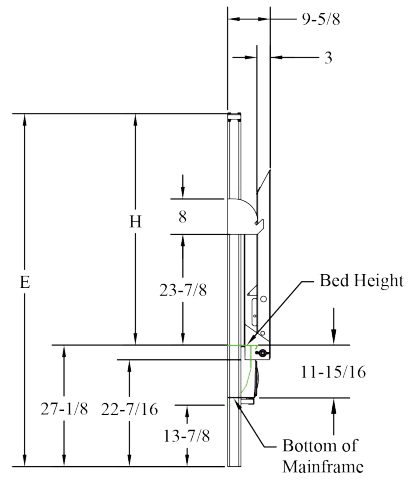
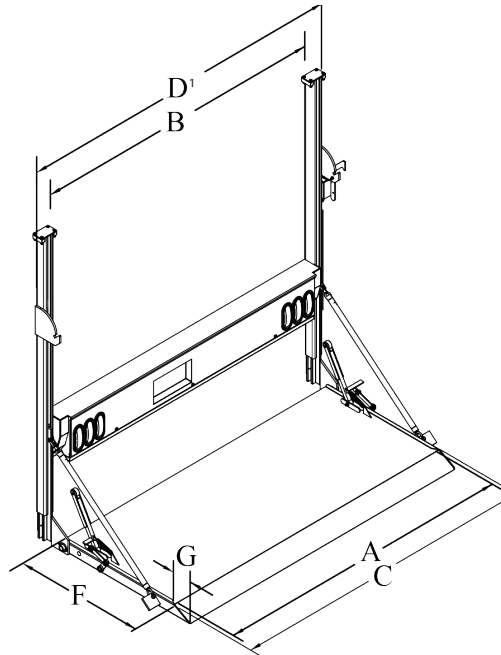
NOTE

1. Dimension is outside of upright and does not include the control, latch plates or latch assembly.

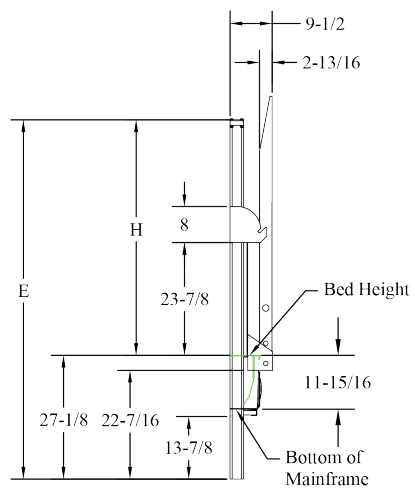
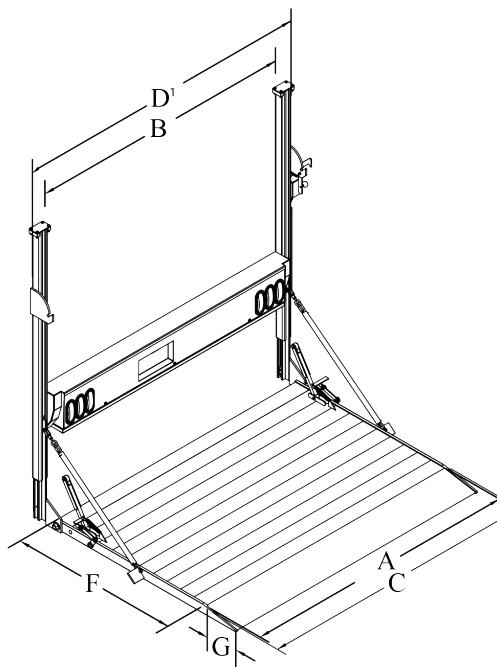
IMPORTANT

- XX in the model number column denotes either capacity model number. Capacity does not affect physical dimensions.

Bed Height Steel Frame / Steel Platform Railgates Dimensions



Bed Height Steel Frame / Aluminum Platform Railgate Dimensions



FLATBED, STAKE, & VAN BODY



STANDARD ABOVE-BED STEEL-FRAME MODELS

				A	B	C	D ¹	E	F	G	H ²
	Maximum Truck Bed Height	Lifting Capacity	Platform Loading Width	Clear Opening Between Uprights	Overall Platform Width	Frame Width Outside Uprights	Upright Height	Platform Loading Depth	Taper	Height of Upright Above Mainframe	
73-XX TP37	50	1600 & 2000 lb. Capacities	71	68-3/4	73	76-3/4	83-11/16	37	6	58-9/16	
73-XX TP42	50		71	68-3/4	73	76-3/4	83-11/16	42	6	58-9/16	
73-XX EA55	50		71-1/2	68-3/4	73	76-3/4	83-11/16	55	12	58-9/16	
73-XX GBR	50		25	68-3/4	73	76-3/4	83-11/16	30	12	58-9/16	
79-XX TP37	52		77	74-3/4	79	82-3/4	83-11/16	37	6	58-9/16	
79-XX TP42	52		77	74-3/4	79	82-3/4	83-11/16	42	6	58-9/16	
79-XX EA55	52		77-1/2	74-3/4	79	82-3/4	83-11/16	55	12	58-9/16	
79-XX GBR	52		31	74-3/4	79	82-3/4	83-11/16	30	12	58-9/16	
85-XX TP37	54		83	80-3/4	85	88-3/4	83-11/16	37	6	58-9/16	
85-XX TP42	54		83	80-3/4	85	88-3/4	83-11/16	42	6	58-9/16	
85-XX EA55	54		83-1/2	80-3/4	85	88-3/4	83-11/16	55	12	58-9/16	
85-XX GBR	54		37	80-3/4	85	88-3/4	83-11/16	30	12	58-9/16	
89-XX TP37	54		87	84-3/4	89	92-3/4	83-11/16	37	6	58-9/16	
89-XX TP42	54		87	84-3/4	89	92-3/4	83-11/16	42	6	58-9/16	
89-XX EA55	54		87-1/2	84-3/4	89	92-3/4	83-11/16	55	12	58-9/16	
89-XX GBR	54		41	84-3/4	89	92-3/4	83-11/16	30	12	58-9/16	
95-XX TP37	54		93	90-3/4	95	98-3/4	83-11/16	37	6	58-9/16	
95-XX TP42	54		93	90-3/4	95	98-3/4	83-11/16	42	6	58-9/16	
95-XX EA55	54		93-1/2	90-3/4	95	98-3/4	83-11/16	55	12	58-9/16	
95-20 GBR	54		47	90-3/4	95	98-3/4	83-11/16	30	12	58-9/16	

NOTES

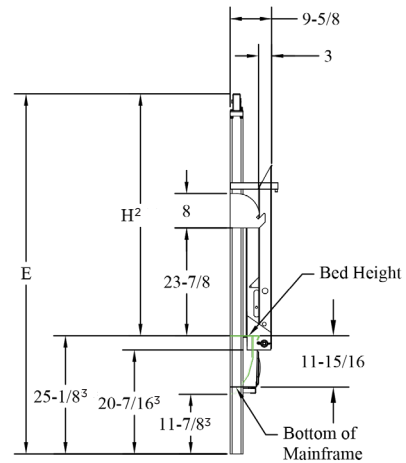
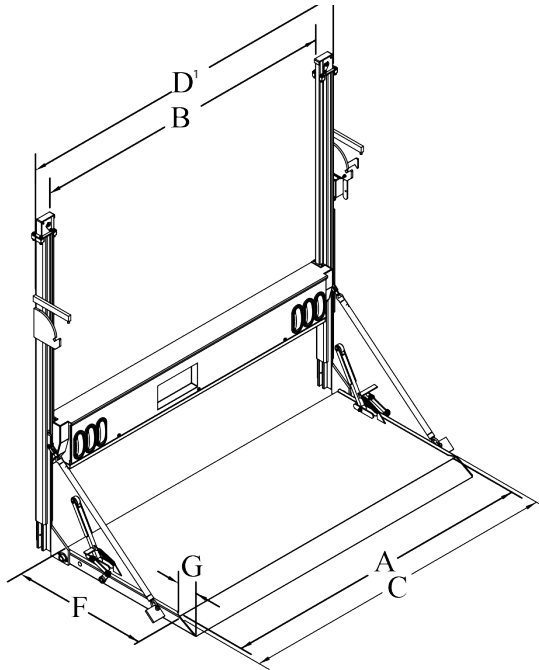
1. Dimension is outside of upright and does not include the control, latch plates or latch assembly.
2. Dimension is based on bed height of 40 inches. Subtract from dimension, bed height difference above 40 inches.

IMPORTANT

- XX in the model number column denotes either capacity model number. Capacity does not affect physical dimensions.



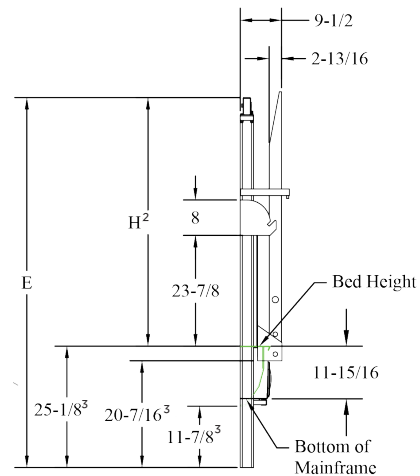
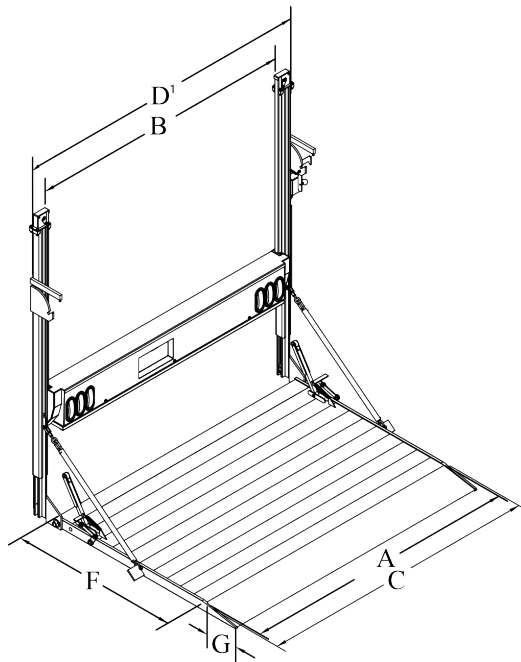
Above-bed Steel Frame / Steel Platform Railgates Dimensions



NOTES

1. Dimension is outside of upright flanges and does not include the control, latch plates or latch assembly.
2. Dimension is based on bed height of 40 inches. Subtract from dimension, bed height difference above 40 inches.
3. Dimension is based on bed height of 40 inches. Add to dimension, bed height difference above 40 inches.

Above-bed Steel Frame / Aluminum Platform Railgate Dimensions



NOTES

1. Dimension is outside of upright flanges and does not include the control, latch plates or latch assembly.
2. Dimension is based on bed height of 40 inches. Subtract from dimension, bed height difference above 40 inches.
3. Dimension is based on bed height of 40 inches. Add to dimension, bed height difference above 40 inches.

FLATBED, STAKE, & VAN BODY

RAILGATE
SERIES

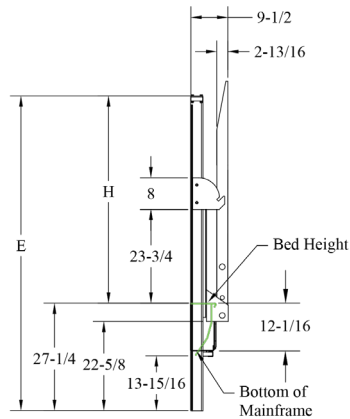
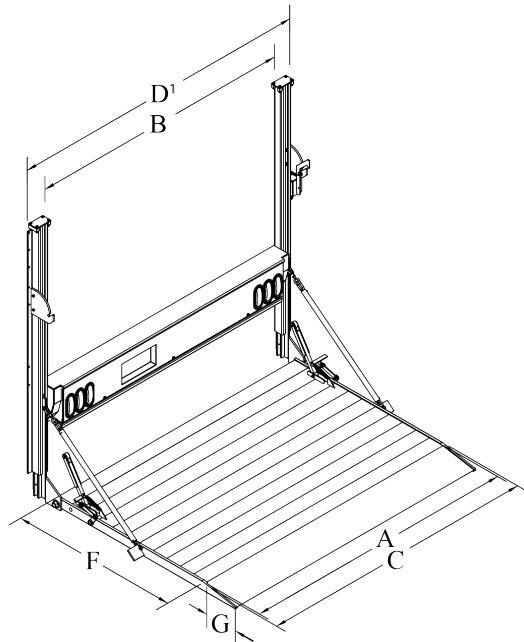


**STANDARD BED HEIGHT
ALUMINUM-FRAME
MODELS**

				A	B	C	D'	E	F	G	H
	Maximum Truck Bed Height										
	Lifting Capacity										
	Platform Loading Width										
	Clear Opening Between Uprights										
	Overall Platform Width										
	Frame Width Outside Uprights										
	Upright Height										
	Platform Loading Depth										
	Taper										
	Height of Upright Above Mainframe										
A73-XX EA55	48	1600 & 2000 lb.	71-1/2	70-3/4	73	80-1/4	70	55	12	42-7/8	
A79-XX EA55	48		77-1/2	76-3/4	79	86-1/4	70	55	12	42-7/8	
A85-XX EA55	55		83-1/2	82-3/4	85	92-1/4	70	55	12	42-7/8	
A89-XX EA55	55		87-1/2	86-3/4	89	96-1/4	70	55	12	42-7/8	

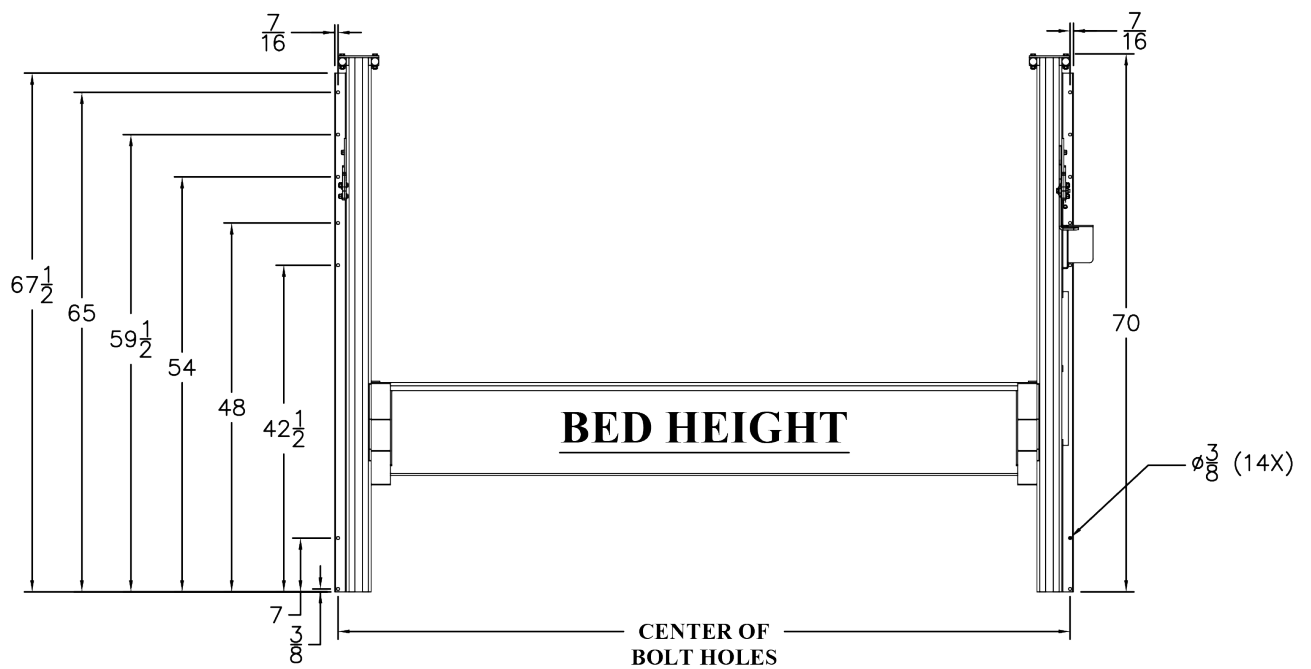
NOTE 1. Dimension is outside of upright flanges and does not include the control, latch plates or latch assembly.

IMPORTANT • XX in the model number column denotes either capacity model number. Capacity does not affect physical dimensions.



**STANDARD BED HEIGHT
ALUMINUM RAILGATE
MOUNTING DIMENSIONS**

Model	Distance Between Flange Bolt Holes
A73	79-3/8
A79	85-3/8
A85	91-3/8
A89	95-3/8



FLATBED, STAKE, & VAN BODY

RAILGATE
SERIES



**STANDARD ABOVE-BED
ALUMINUM-FRAME
MODELS**

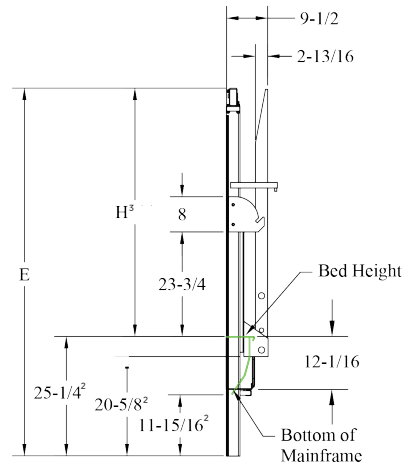
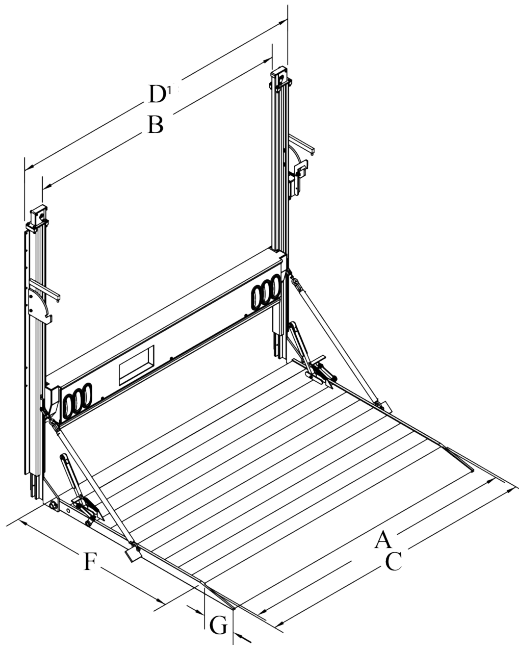
				A	B	C	D ¹	E	F	G	H ²
	Maximum Truck Bed Height	Lifting Capacity	Platform Loading Width	Clear Opening Between Uprights	Overall Platform Width	Frame Width Outside Uprights	Upright Height	Platform Loading Depth	Taper	Height of Upright Above Mainframe	
A73-XX EA55	50	1600 & 2000 lb.	71-1/2	68-3/4	73	80-1/4	83-11/16	55	12	58-1/2	
A79-XX EA55	52		77-1/2	74-3/4	79	86-1/4	83-11/16	55	12	58-1/2	
A85-XX EA55	54		83-1/2	80-3/4	85	92-1/4	83-11/16	55	12	58-1/2	
A89-XX EA55	54		87-1/2	84-3/4	89	96-1/4	83-11/16	55	12	58-1/2	

NOTES

1. Dimension is outside of upright flanges and does not include the control, latch plates or latch assembly.
2. Dimension is based on bed height of 40 inches. Add to dimension, bed height difference above 40 inches (see below diagram).
3. Dimension is based on bed height of 40 inches. Subtract from dimension, bed height difference above 40 inches.

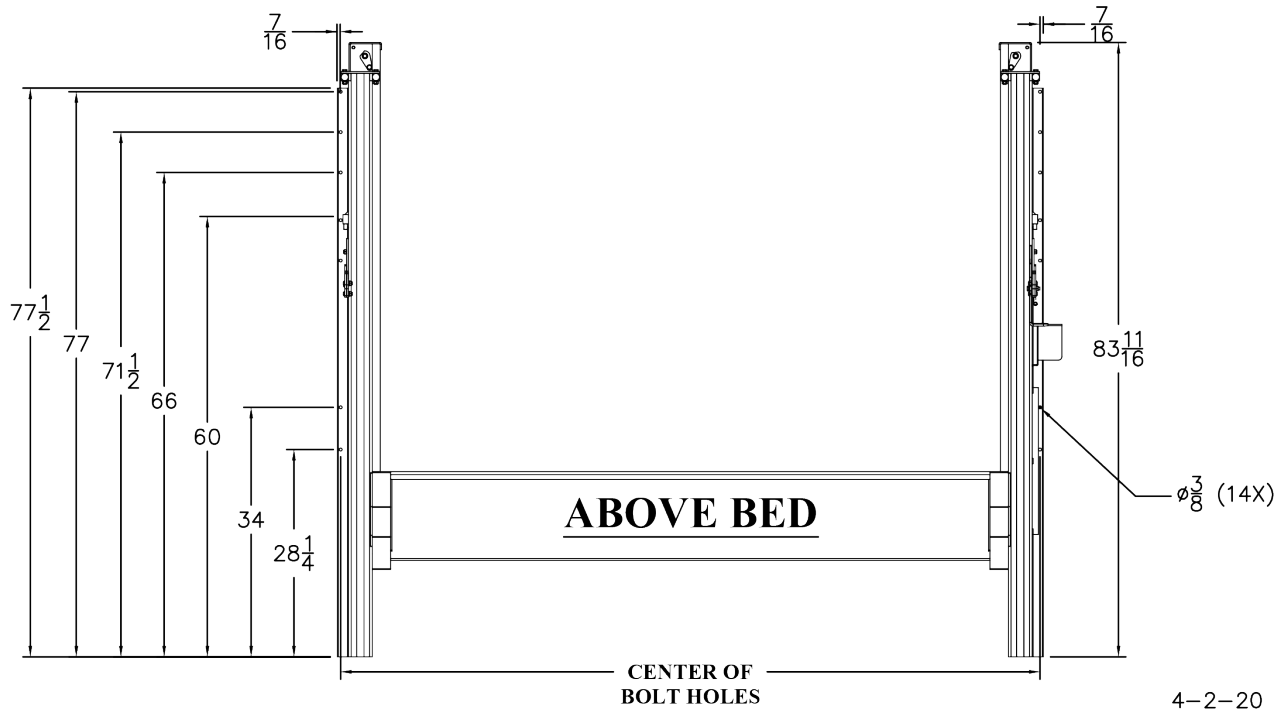
IMPORTANT

- XX in the model number column denotes either capacity model number. Capacity does not affect physical dimensions.



**STANDARD ABOVE-BED
ALUMINUM RAILGATE
MOUNTING DIMENSIONS**

Model	Distance Between Flange Bolt Holes
A73	79-3/8
A79	85-3/8
A85	91-3/8
A89	95-3/8



Tommy Gate® liftgates are industrial products for material handling only and are not to be used as personnel or wheelchair lifts. For safe handling and operating instructions, visit www.tommygate.com.