



# CASSETTE LIFTGATE

THE NEW UNDERBODY  
EXTERNAL VAN LIFT

**RELIABILITY WITH RANGE**  
IT'S THERE WHEN YOU NEED IT, AND NOT WHEN YOU DON'T

[TOMMYGATE.COM/LIFTGATES/CARGO-VAN](https://TOMMYGATE.COM/LIFTGATES/CARGO-VAN)

**700 LB  
CAPACITY**



## CASSETTE LIFTGATE

**It's there when you need it and not when you don't.**

The Cassette Liftgate mounts below the van, giving full access to the back of the vehicle without deploying the lift. These models are ideal for operators who need the functionality of a liftgate when interior storage space and access are a priority. The platform is made of corrosion-resistant aluminum, and all models include an automatic retention ramp, underside skid plate, and one-touch storage.

### 1 MINIMAL FOOTPRINT

The liftgate doesn't take up any interior space, doesn't obstruct the back door, and only opens when necessary, giving operators full access to the vehicle when not in use.

### 2 AUTOMATIC RETENTION RAMP/TAPER

The retention ramp will automatically deploy to a taper once the liftgate hits the ground. The taper changes back to a retention ramp as the liftgate raises, making it favorable for wheeled cargo.

### 3 UNDERSIDE SKID PLATE

Every Cassette Liftgate includes a standard galvanized, undermount skid plate, which provides additional protection when driving the vehicle.

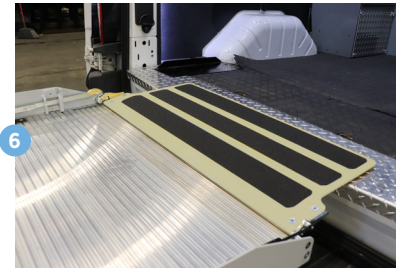
### 4 ONE-TOUCH STORAGE

When you're ready to stow the liftgate, simply fold the platform closed and press a button for easy storage.



## Standard Features

- 1 **Does not interfere with most OEM lights, sensors, or bumpers**
- 4 **4-function Pendant Control**
- 5 **Manual Hand Pump**  
In the event that the liftgate does not operate, a hand pump bar and valve are provided to use with the pump and motor to manually raise and lower the liftgate.
- 6 **Aluminum Bridge**  
Aluminum bridge mounts provide a smooth transition for moving cargo to and from the lift platform to the vehicle bed.

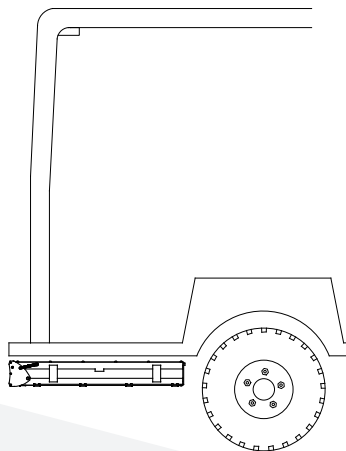


## Optional Features

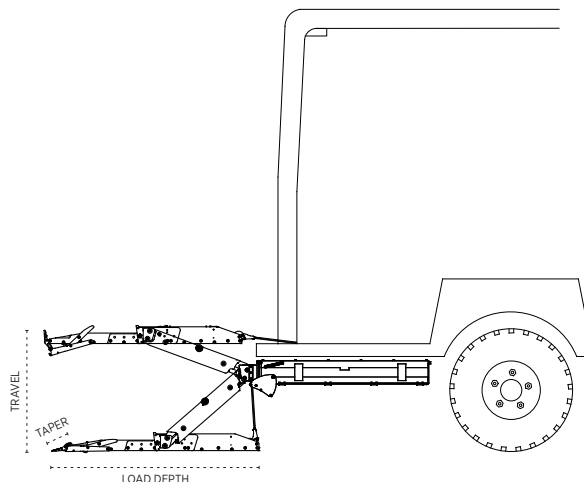
- 7 **Lift Kit**  
Need more clearance underneath your van? Our Lift Kits offer a possible solution for increasing clearance between the liftgate and the ground.
- 8 **Spare Tire Relocation Kit**  
Tire bracket kit to relocate spare tire from under the rear of the vehicle to the inside of the vehicle.



SIDE VIEW STORED



SIDE VIEW OPEN



## AVAILABLE MODELS

	Model Number *	Load Area	Taper	Gate Weight
700 lb.	Framed Aluminum Platform			
	CST-44-7039 EA47	32 x 47	3	320

### IMPORTANT

- Liftgate installations are not compatible with any form of towing hitch.
- Liftgate installations require the spare tire to be relocated.
- Liftgate installations require the rearmost part of the exhaust to be modified. Please see installation instructions for more details.
- Rear suspension lift kit required on some applications. See chart below for more information.

## PLATFORM DESCRIPTION

**EA47** Two-piece Extruded Aluminum w/ 47" loading depth + 3" loading taper and Retention Ramp

## APPLICATION & REQUIRED BRACKET

Manufacturer	Model Year	Body Style <sup>6</sup>	Required Lift Kit <sup>5</sup>	Bracket
Ford	2015-2023	TRANSIT® 150/250/350 <sup>1 2 5</sup>	17007	17697
Ford	2015-2023	TRANSIT® 250/350 <i>Extended Body</i> <sup>1 5</sup>	17007	17697
Chevrolet/GMC	2003-2023	Express/Savana <sup>5</sup>	17940	17720
Sprinter <sup>4,5</sup>	2007-2023	170" WB Non-Extended 2500 <sup>3 4</sup>	-	17915
Sprinter <sup>4,5</sup>	2007-2023	170" WB Extended 2500/3500/4500 <sup>3 4 7</sup>	-	17915

- not required

### NOTES

1. Some Ford Transit installations may require a separate customer connection point kit to be ordered from Ford. See installation instructions for details.
2. Excludes all-electric E-Transit models
3. Mercedes-Benz requires the use of an auxiliary battery for all liftgates installed on SPRINTER® vans.
4. SPRINTER® 4WD models with a bed-height greater than 30" are not compatible.
5. A rear lift kit is required on applications with rear bumper ground clearance less than 18". Other aftermarket lift kits may also work.
6. Step bumpers must be removed for liftgate to be installed.
7. This application requires an extended, 37-foot power cable.



Tommy Gate® liftgates are industrial products for material handling only and are not to be used as personnel or wheelchair lifts. For safe handling and operating instructions, visit [www.tommygate.com](http://www.tommygate.com).

© 2023 Woodbine Manufacturing Company, Inc. All rights reserved.



Woodbine Manufacturing Inc.  
83 Bus Brown Drive  
Woodbine, IA 51579

TOMMY GATE® LIFTGATES  
(800) LIFTGATE  
TOMMYGATE.COM