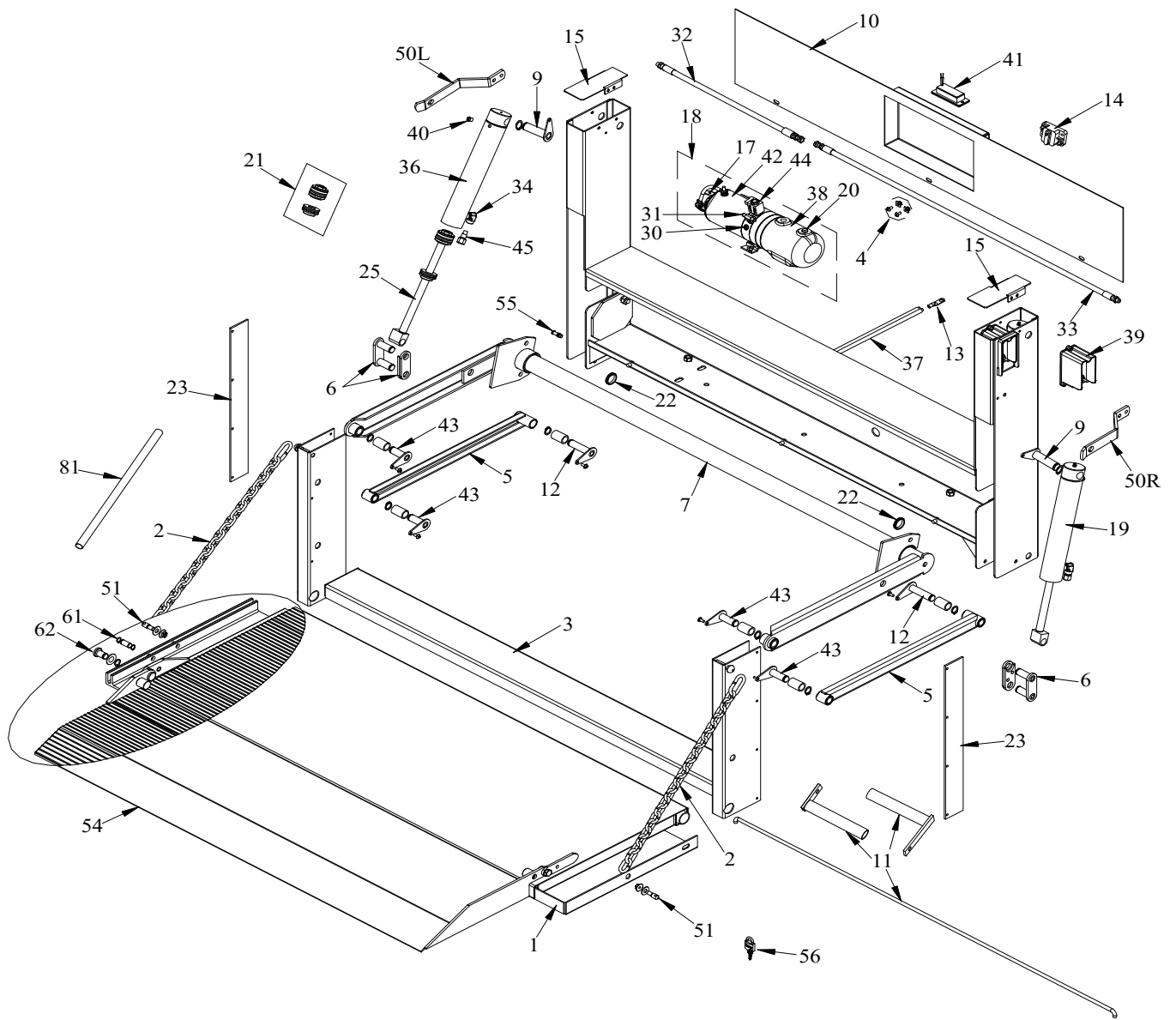


7042, 7542, 1342, 1542 AND 1642 SERIES G2 PARTS DRAWING FOR MODELS 54, 60, 65



7042, 7542, 1342, 1542 & 1642 G2 SERIES PARTS LIST

Draw. Ref.	Part No.	Description	Qty Required
1	004833	54 G2 27" Treadplate Replacement Platform	1
	004834	54 G2 38" Treadplate Replacement Platform	1
	004835	54 G2 42" Treadplate Replacement Platform	1
	001631	54 38" EA Replacement Platform	1
	004820	54 48" EA Replacement Platform	1
	004866	60 G2 27" Treadplate Replacement Platform	1
	004867	60 G2 38" Treadplate Replacement Platform	1
	004868	60 G2 42" Treadplate Replacement Platform	1
	001632	60 38" EA Replacement Platform	1
	004799	60 48" EA Replacement Platform	1
	013241	G2 60 22+6 EA Replacement Platform	1
	004869	65 G2 27" Treadplate Replacement Platform	1
	004871	65 G2 42" Treadplate Replacement Platform	1
	001633	65 38" EA Replacement Platform	1
	004798	64 48" EA Replacement Platform	1
	2	003883	Replacement G2 Treadplate Platform Chain
006473		Replacement 27" EA & 38" EA Platform Chain	2
013650		Replacement 48" EA Platform Chain	2
3	011302	54-42 G2 Replacement Sub Assembly	1
	011303	60-42 G2 Replacement Sub Assembly	1
	011304	65-42 G2 Replacement Sub Assembly	1
4	001111	License Plate Mount Kit	1
5	011305	G2 Replacement Lower Arm w/Pins & Bushings (42)	2
6	011306	G2 Replacement Clevis Cylinder Assembly (42)	2
7	011307	54-42 G2 Replacement Upper Arm Assembly	1
	011308	60-42 G2 Replacement Upper Arm Assembly	1
	011309	65-42 G2 Replacement Upper Arm Assembly	1
9	002180	7/8" Replacement G2 Upright Back Cylinder Pin	2
10	004837	Replacement Box Cover (54 G2)	1
	004949	Replacement Box Cover (60 G2)	1
	010286	Replacement Box Cover (65 G2)	1
11	001220	27" TP Hinge Tube Spring Holders (no spring)	1
	008025	Torsion Spring Kit (54)	1
	008083	Torsion Spring Kit (54) Deep Platform	1
	008026	Torsion Spring Kit (60)	1
	008084	Torsion Spring Kit (60) Deep Platform	1
	008027	Torsion Spring Kit (65)	1
	008085	Torsion Spring Kit (65) Deep Platform	1
12	002181	3/4" Replacement G2 Upright Back Arm Pin & Bushing	2
13	000992	Replacement Copper Lug	6
14	000998	Replacement 150 Amp Manual Reset Circuit Breaker	1
15	002015	Replacement G2 Upright Cap	2
17	000967	Replacement Raise Solenoid-3 Post	1
18	011310	Replacement 1342 G2 Pump & Motor Unit (2300psi)	1
	011311	Replacement 1542 G2 Pump & Motor Unit (2600psi)	1
	011312	Replacement 1642 G2 Pump & Motor Unit (2750psi)	1
	014347	Replacement 1342 G2 Pump & Motor Unit (2300psi) 24V	1
	014860	Replacement 1642 G2 Pump & Motor Unit (2750psi) 24V	1
19	000971	Replacement G2 Cylinder	2
20	000989	Replacement Vent Plug	1
21	001138	G2 Cylinder Repair Kit (after serial # 470166M)	2
22	000972	Replacement Split Plastic Grommet Kit	2
23	002143	Replacement G2 Sub Assembly Belting	2
25	001211	Replacement G2 Cylinder Shaft Complete (40/42) (after serial # 470166M)	2
30	000973	Replacement Monarch Lee Check Valve (after serial # M-335705 1000# & 1300#) (after serial # M16-26635 1600#)	1
31	000974	Replacement G2 T-Fitting (Pump & Motor)	1
32	000975	Replacement 1/4"x21" Hydraulic Hose-Left (G2)	1
33	000976	Replacement 1/4"x52" Hydraulic Hose-Right (54 & 60 G2)	1
	002579	Replacement 1/4"x66-3/4" Hydraulic Hose-Right (65-73G2)	1

7042, 7542, 1342, 1542 & 1642 G2 SERIES PARTS LIST

Draw. Ref.	Part No.	Description	Qty Required
34	000978	Replacement 1/4"x1/4"x90 Degree Steel Cylinder Elbow	2
36	003249	Replacement Cylinder Barrel (after serial # 470166M)	2
37	004570	Replacement 4 Ga. 2 Wire Electric Cable w/Lugs-26 ft.	1
	004708	Replacement 4 Ga. 2 Wire Electric Cable w/Lugs-33 ft.	1
38	000957	Replacement 1.5qt. Monarch Plastic Tank (G2) **	1
39	000987	Replacement Fixed Control	1
40	000979	Replacement Vent Plug - Cylinder (Rail & G2)	2
41	010199	Replacement License Plate Light & Bracket (H1)	1
42	000958	Replacement 12 Volt Motor-Only (Monarch)**	1
43	002183	3/4" Replacement G2 Upright Front Arm Pin	4
44	009645	Release Solenoid External Assembly w/Connector	1
45	013360	Replacement Flow Control W/ O-ring (G2) (With Adaptor)	2
47		Replacement Pump (only) w/1.5qt. Tank 1342 G2 (2300psi) (Discontinued - See Drawing Ref 18)	1
		Replacement Pump (only) w/1.5qt. Tank 1542 G2 (2600psi) (Discontinued - See Drawing Ref 18)	1
		Replacement Pump (only) w/1.5qt. Tank 1642 G2 (2750psi) (Discontinued - See Drawing Ref 18)	1
50	002017	G2 Replacement Latch Kit	2
	014268	G2 Low Profile Replacement Latch Kit (Model 73-92 & EA65)	2
51	002020	Replacement Platform Latch Pin Assembly (G2)	2
54	000960	G2 54-F11+4 Replacement Treadplate Flipper	1
	000961	G2 54-F11+7 Replacement Treadplate Flipper	1
	001881	54-F11 Replacement EA Flipper	1
	000962	G2 60-F11+4 Replacement Treadplate Flipper	1
	000963	G2 60-F11+7 Replacement Treadplate Flipper	1
	001882	60-F11 Replacement EA Flipper	1
	001883	65-F11 Replacement EA Flipper	1
55	001010	G2 Replacement Drop Away Pin Assembly	1
56	000966	Replacement Padlock w/Keys	1
61	004712	EA Replacement Platform Chain Pin (1.079")	2
62	004717	EA Replacement Flipper Rivet	2
81	006514	Replacement Cloth Chain Cover 20"	2
	006516	Replacement Cloth Chain Cover 29"	2

**Please provide the liftgate Model and Serial numbers when ordering repair parts.
 Note: The above prices are for standard equipment only. Call the factory for pricing of optional equipment or special