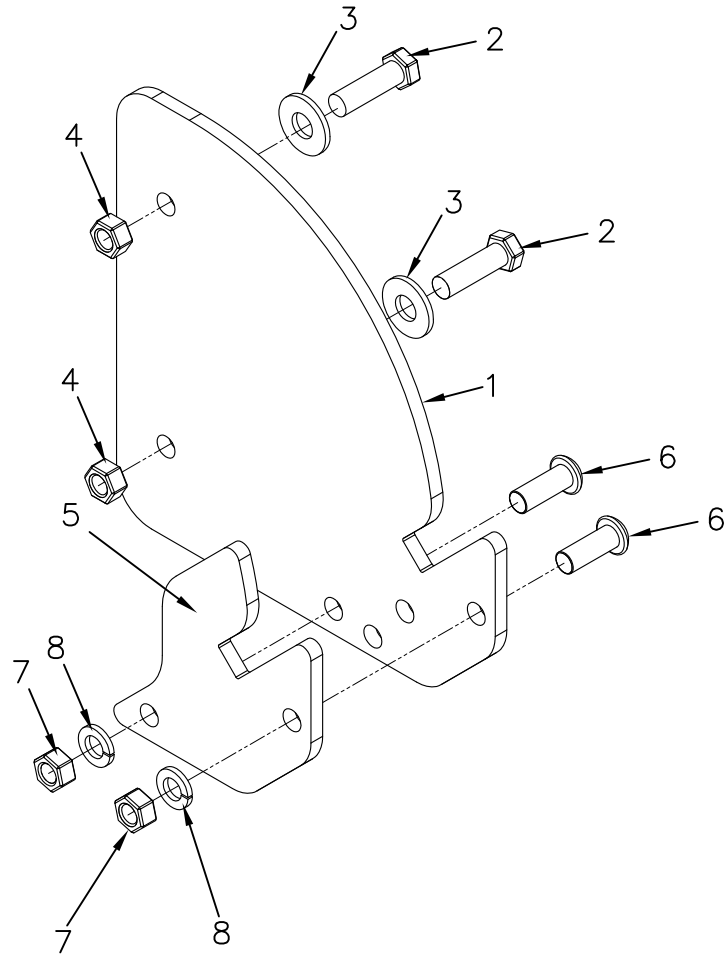


ITEM NO.	QTY.	PART NO.	DESCRIPTION
1	1	002592	.25"X8"X8.13" AL RAIL LATCH PL (ZINC)
2	2	000510	3/8-16x1-1/4" HHCS GR5
3	2	000575	3/8 USS FLAT WASHER
4	2	000597	3/8-16 2 WAY LOCK NUT
5	1	002616	RAIL LATCH WEAR PL-ZINC PLATED
6	2	000737	3/8-16x1" BHCS GR5- ZINC PLATED
7	1	000550	3/8-16 GR5 HEX NUT
8	2	000572	3/8 SPRING LOCK WASHER



REV.	DATE	CHANGE RECORD	BY	APPVD	ECN	DRAFT	ANGULAR	SALES CATEGORY	PRODUCT LINE	SCALE	FIN. WT.	PART NO.												
A	7/15/08	CHANGED AND REDRAWN	LSB	KGJ		2'	±1°	45	8950	N	4.58	2007												
B	3/10/09	REPLACED PN 2615 WITH 2592	JCB	JCB																				
						THIRD ANGLE PROJECTION		FILENAME:		WOODBINE MFG. CO.														
								SYMBOLY PER ANSI Y14.5		BUS BROWN DRIVE														
						<table border="1"> <tr> <th>DECIMAL</th> <th>2PLC</th> <th>3PLC</th> </tr> <tr> <td>MACHINE SAW, DRILL</td> <td>.030</td> <td>.015</td> </tr> <tr> <td>SHEAR, PUNCH FORM</td> <td>.060</td> <td>.030</td> </tr> <tr> <td>TORCH, WELDING ROUGH CAST</td> <td>.090</td> <td>.060</td> </tr> </table>		DECIMAL	2PLC	3PLC	MACHINE SAW, DRILL	.030	.015	SHEAR, PUNCH FORM	.060	.030	TORCH, WELDING ROUGH CAST	.090	.060	DRAWN BY. DJR		WOODBINE, IOWA 51579		
DECIMAL	2PLC	3PLC																						
MACHINE SAW, DRILL	.030	.015																						
SHEAR, PUNCH FORM	.060	.030																						
TORCH, WELDING ROUGH CAST	.090	.060																						
								DRAWN/DATE 7/10/03		712-647-2050														
								APPVD/DATE 3/10/09																
								TITLE ALUMINUM RAILGATE REPLACEMENT LATCH PLATE(LEFT)		<small>THE INFORMATION HERE IS CONFIDENTIAL AND MUST NOT BE USED IN ANYWAY DETRIMENTAL TO THE INTEREST OF WOODBINE MFG.</small>														