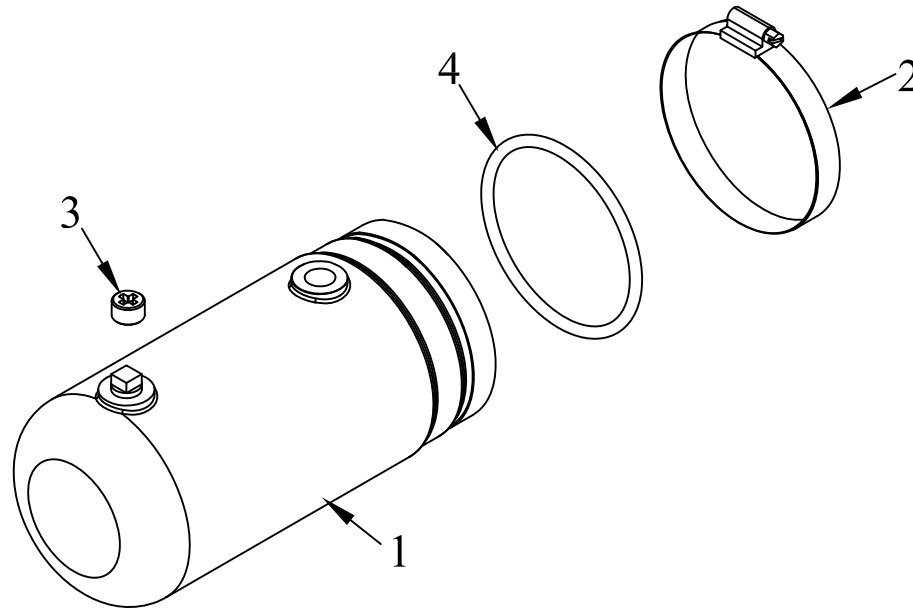


ITEM NO.	QTY.	PART NO.	DESCRIPTION
1	1	004318	MONARCH PLASTIC TANK 2QT
2	1	004350	MONARCH CLAMP, HOSE, WORM GEAR, RS
3	1	004403	VENT PLUG
4	1	004319	MONARCH 4-1/4" TANK O-RING



REV.	DATE	CHANGE RECORD	BY	APPVD	ECN	DRAFT	ANGULAR	SALES CATEGORY	PRODUCT LINE	SCALE	FIN. WT.	PART NO.												
						2'	±1'	45	8950	N	1.00	4354												
						THIRD ANGLE PROJECTION		FILENAME:		WOODBINE MFG. CO.														
								SYMBOLY PER ANSI Y14.5		BUS BROWN DRIVE														
						<table border="1"> <tr> <th>DECIMAL</th> <th>2PLC</th> <th>3PLC</th> </tr> <tr> <td>MACHINE SAW, DRILL</td> <td>.030</td> <td>.015</td> </tr> <tr> <td>SHEAR, PUNCH FORM</td> <td>.060</td> <td>.030</td> </tr> <tr> <td>TORCH, WELDING ROUGH CAST</td> <td>.090</td> <td>.060</td> </tr> </table>		DECIMAL	2PLC	3PLC	MACHINE SAW, DRILL	.030	.015	SHEAR, PUNCH FORM	.060	.030	TORCH, WELDING ROUGH CAST	.090	.060	DRAWN BY. DJR		NOTES:		
DECIMAL	2PLC	3PLC																						
MACHINE SAW, DRILL	.030	.015																						
SHEAR, PUNCH FORM	.060	.030																						
TORCH, WELDING ROUGH CAST	.090	.060																						
								DRAWN/DATE 10/2/03		WOODBINE, IOWA 51579														
								APPVD/DATE		712-647-2050														
								TITLE																
										THE INFORMATION HERE IS CONFIDENTIAL AND MUST NOT BE USED IN ANYWAY DETRIMENTAL TO THE INTEREST OF WOODBINE MFG.														
								REPLACEMENT MONARCH PLASTIC TANK(2QT)																