



Pickup Body Rear Camera and Sensor Bar Installation Instructions

Painted: 14377, 14376, 14617, 14864
Galvanized: 14397, 14398, 14619, 14865

Note: This solution is for specific factory installed rear cameras and sensors on pickup body, model 60 G2 or Original Series liftgates only. It does not support aftermarket products. For a list of available applications see the Tommy Gate Rear Camera and Sensor Bar Application Chart (DPN 095193).

Note: For vehicles manufactured after May 1, 2018 the image on the rear camera display screen should adhere to the standard in National Highway Traffic Safety Administration rule number FMVSS 111.

!Warning: Relocating the factory installed rear camera may result in the display screen gridlines being inaccurate. Operate with caution and be sure to check surroundings before reversing the vehicle.

Remove and Save Camera and Sensors

- 1. Remove and Save** the rear camera and wire harness from the tailgate.
- 2. Remove and Save** the rear sensors and wire harness from the bumper. Do not reuse the factory mounting bezel (Figure 1), doing so may position the rear sensors incorrectly.

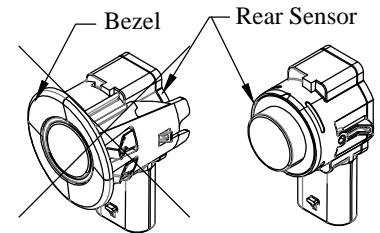


Figure 1: Rear sensor - no bezel.

Installing Rear Camera and Sensors on Model 60 Liftgate

If mounting holes already exist in the mainframe, skip to step 5.

- 1. Position** the rear camera and sensor bar channel underneath the liftgate mainframe (Figure 2).
- 2. Mark** the location of the four mounting holes.
- 3. Check** for obstructions in the mainframe before drilling holes.
- 4. Drill** 1/4" holes in the mainframe of the liftgate where marked in step 2.
- 5. Install** the rear camera and sensor bar underneath the liftgate using the supplied 1/4"-20 hex bolts and nuts.
- 6. Route** wire harnesses from the vehicle to below the liftgate mainframe.
- 7. Plug In** rear camera and rear sensors to wire harnesses.
- 8. Position** rear sensors into brackets and fix in position using zip ties (Figure 3).
Rear sensor wires face towards the center of the truck, except as noted below.
Ram Application:
Wires on second rear sensor from driver's side must face away from center of truck.
The rear sensor wiring harness loom needs to be reworked to reach mounting points.

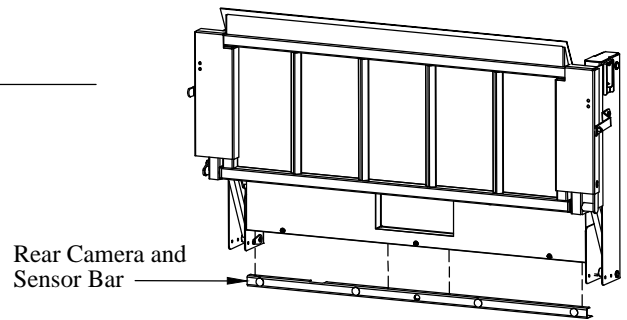
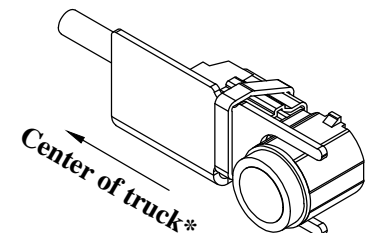


Figure 2: Rear camera and sensor bar mounting location.



*Except for Ram, second sensor from driver's side
Figure 3: Orientation of rear sensor in bracket.

Installing Rear Camera and Sensors on Model 60 Liftgate (continued)

9. Place rear camera into bracket and zip tie as shown for a Ford (Figure 4), screw in place for a GM (Figure 5) or Ram (Figure 6).

10. Install rear camera with bracket into rear camera and sensor bar using the supplied 1/4"-20 hex bolts and nuts (Figure 7).

11. Install rear sensors with brackets into rear camera and sensor bar using the supplied 1/4"-20 hex bolts and nuts (Figure 8).

Note: To turn off display screen gridlines on GM pickups do the following

Menu > Settings > Rear Camera > Guidance Lines > Off

To turn off display screen gridlines on Ram pickups do the following

Settings > Safety/Assistance > Parkview Backup > Active Gridlines > Off

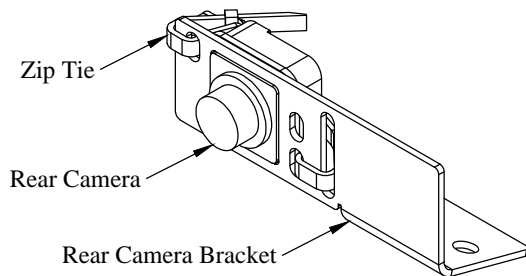


Figure 4: Ford rear camera and bracket assembly.

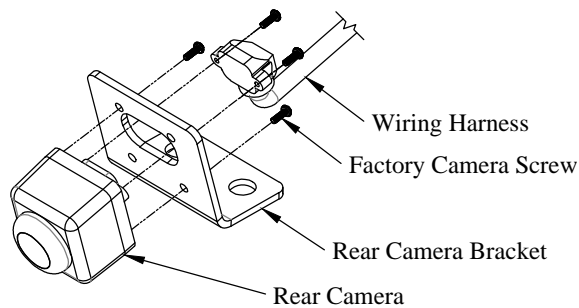


Figure 5: GM rear camera and bracket assembly.

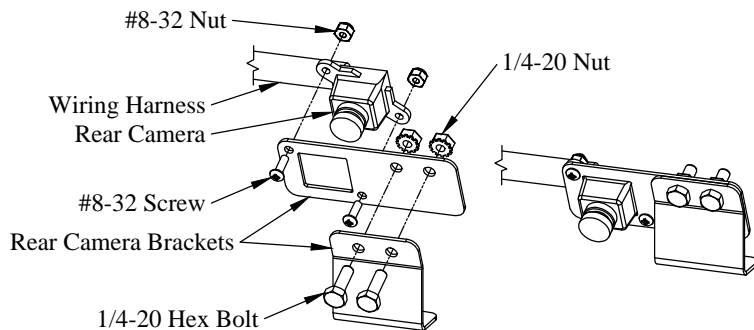


Figure 6: Ram rear camera and bracket assembly.

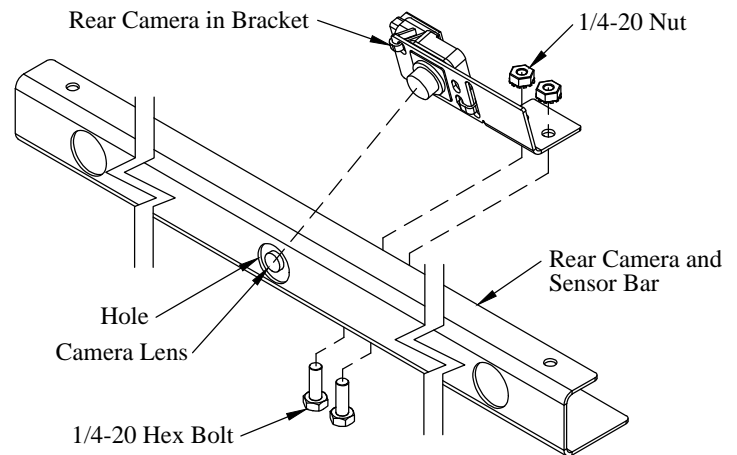


Figure 7: Rear camera installation (Ford shown, others similar).

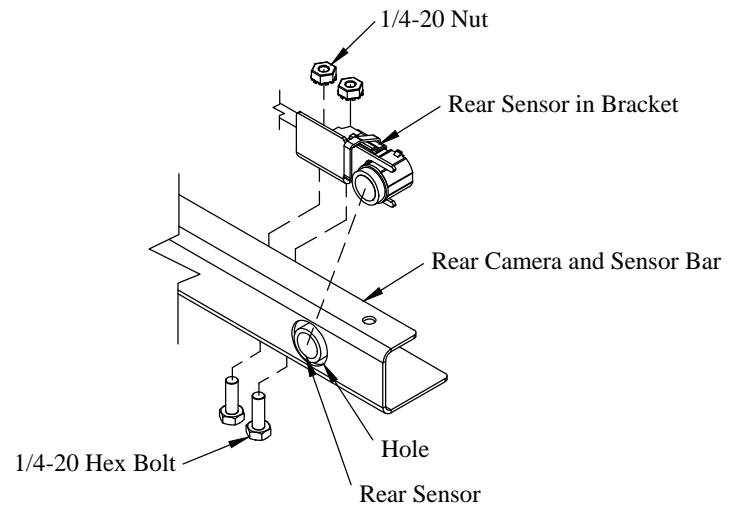


Figure 8: Rear sensor installation.

Finishing Steps

1. Cover unused connectors.

2. Secure wire harnesses using cable ties.

3. Perform FMVSS 111 verification. **Adjust** camera angle and/or **Move** camera bar toward front of truck, if needed.