

DETAILED LIFTGATE DIMENSIONS

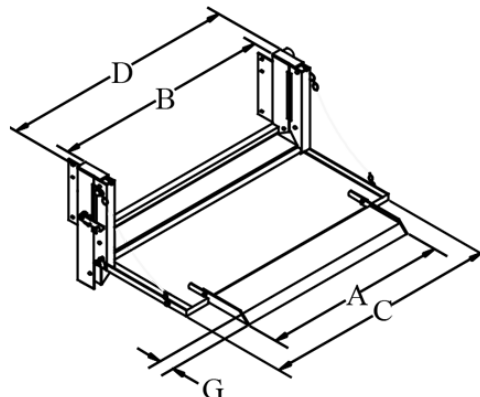
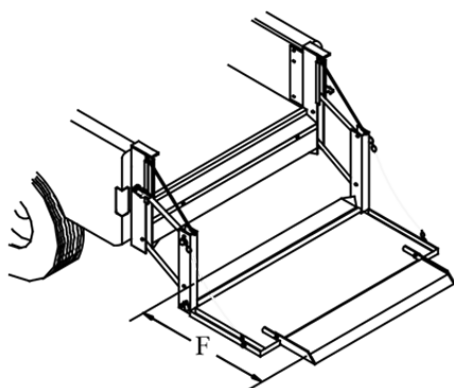
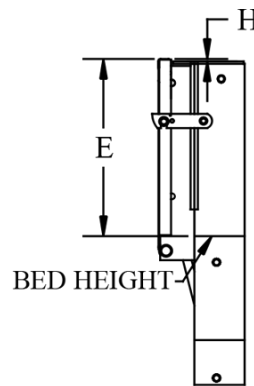
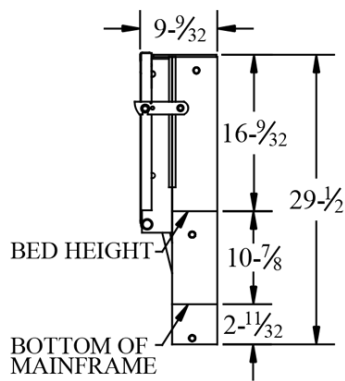


COMPACT PICKUP

ORIGINAL
SERIES



	Travel	Lifting Capacity	Platform Loading Width	Loading Width (Flipper)	Clear Opening Between Uprights	Overall Platform Width	Width of Opening Outside Uprights	Height of Platform Above Mainframe	Platform Loading Depth	Taper	Height of Platform Above Upright	
					A	B	C	D	E	F	G	H
MINI-500 TP	34	500	45-3/4	42-1/2	46-1/2	52-1/4	49	16-17/32	31	4	1/4	
MINI-500 EA	34	500	43-7/8	43-7/8	46-1/2	53-5/8	49	16-21/32	33	3-7/8	3/8	
MINI TP	34	1000	45-3/4	42-1/2	46-1/2	52-1/4	49	16-17/32	31	4	1/4	
MINI 54 TP	34	1000	51-3/4	48-1/2	52-1/2	58-1/4	55	16-17/32	31	4	1/4	
DAKOTA TP	34	1000	51-3/4	48-1/2	52-1/2	58-1/4	55	16-17/32	31	4	1/4	
TUNDRA TP	34	1000	57-7/8	54-3/4	58-1/2	64-3/8	61	16-17/32	31	4	1/4	
54-1034 TP	34	1000	51-3/4	48-1/2	52-1/2	58-1/4	55	16-17/32	31	4	1/4	
MINI EA	34	1000	43-7/8	43-7/8	46-1/2	53-5/8	49	16-21/32	33	3-7/8	3/8	
MINI 54 EA	34	1000	49-5/8	49-5/8	52-1/2	59-3/8	55	16-21/32	33	3-7/8	3/8	
DAKOTA EA	34	1000	49-5/8	49-5/8	52-1/2	59-3/8	55	16-21/32	33	3-7/8	3/8	
TUNDRA EA	34	1000	55-5/8	55-5/8	58-1/2	65-3/8	61	16-21/32	33	3-7/8	3/8	
54-1034 EA	34	1000	49-5/8	49-5/8	52-1/2	59-3/8	55	16-21/32	33	3-7/8	3/8	



Tommy Gate® liftgates are industrial products for material handling only and are not to be used as personnel or wheelchair lifts. For safe handling and operating instructions, visit www.tommygate.com.