

DETAILED LIFTGATE DIMENSIONS

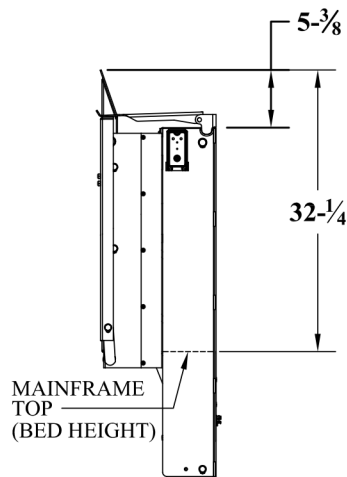
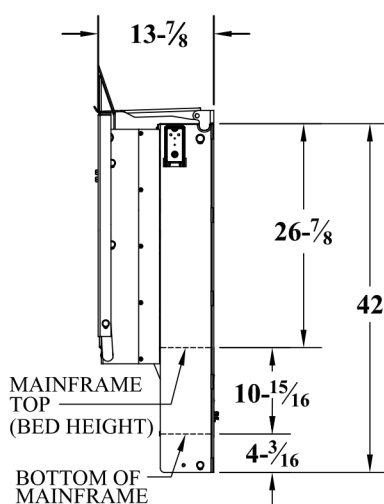
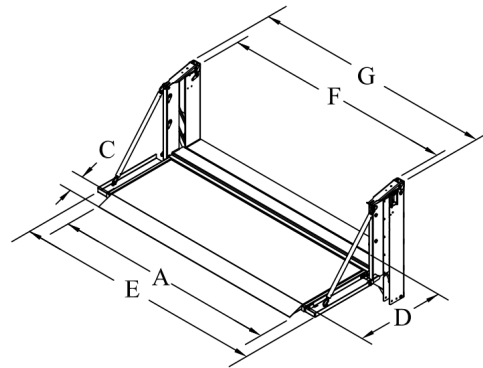
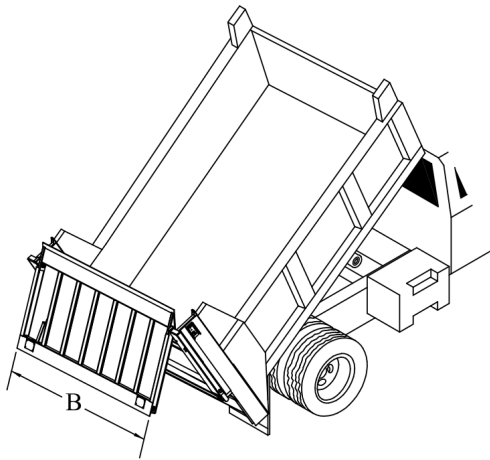


DUMP BODY

LIFT-N-DUMP™



	Travel	Lifting Capacity	Platform Loading Width	Dump Opening Taper	Platform Loading Depth	Overall Platform Width	Clear Opening Between Uprights	Overall Frame Width		
				A	B	C	D	E	F	G
G2-73-1650 LD33	50	1600	64-5/8	65-1/8	6	33-13/16	76-1/4	67-1/2	73	
G2-81-1650 LD33	50	1600	73-1/8	73-5/8	6	33-13/16	84-3/4	76	80-1/2	
G2-87-1650 LD33	50	1600	78-5/8	79-1/8	6	33-13/16	90-1/4	81-1/2	87	
G2-92-1650 LD33	50	1600	83-5/8	84-1/8	6	33-13/16	95-1/4	86-1/2	92	



Tommy Gate® liftgates are industrial products for material handling only and are not to be used as personnel or wheelchair lifts. For safe handling and operating instructions, visit www.tommygate.com.