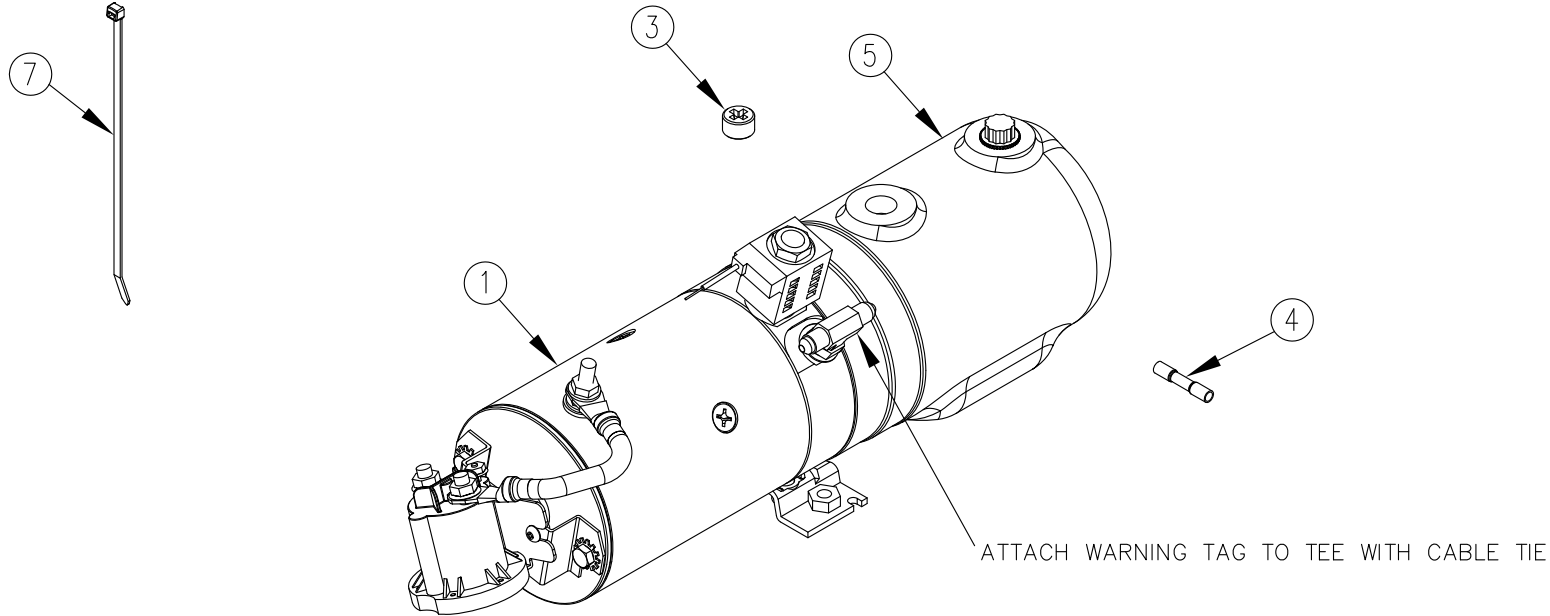
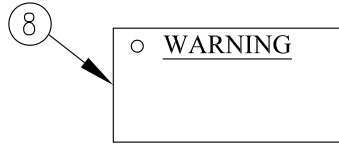

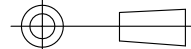


ITEM NO.	QTY.	PART NO.	DESCRIPTION
1	1	10165	MONARCH UNIT 319-0520 (2500) 24V 1650 G2
2	0.335 GAL.	9034	HYDRAULIC OIL
3	1	4403*	VENT PLUG
4	1	9089	16-14 HEAT SHRINK BUTT CONNECTOR
5	1	4304**	MONARCH PLASTIC TANK (1-1/2QT)
6	1	4319	MONARCH 4-1/4" TANK O-RING
7	1	9077	3/16"x7-1/2" CABLE TIE
8	1	14839	VENT PLUG WARNING TAG
9	1	95048	REPLACEMENT POWER UNIT INSTALLATION INSTR.

*ACCOUNTING-DO NOT USE FOR B.O.M.

**PN004331 3QT TANK WILL GO TO STOCK AND BE REPLACED ON THIS UNIT BY TANK LISTED



REV.	DATE	CHANGE RECORD	BY	APPVD	ECN	DRAFT	ANGULAR	SALES CATEGORY	PRODUCT LINE	SCALE	FIN. WT.	PART NO.
A	10/5/16	RELEASED TO PRODUCTION	JCB		1715	2'	±1'			1:4		14860
						THIRD ANGLE PROJECTION		FILENAME:		NOTES: WOODBINE MFG. CO. BUS BROWN DRIVE WOODBINE, IOWA 51579  THE INFORMATION HERE IS CONFIDENTIAL AND MUST NOT BE USED IN ANYWAY DETRIMENTAL TO THE INTEREST OF WOODBINE MFG.		
								SYMBOLY PER ANSI Y14.5				
						DECIMAL 2PLC 3PLC MACHINE SAW, DRILL .030 .015		DRAWN BY: JCB				
						SHEAR, PUNCH FORM .060 .030 TORCH, WELDING ROUGH CAST .090 .060		DRAWN/DATE: 10/5/16				
								APPVD/DATE		TITLE: REPLACEMENT 1642 24V G2 POWER UNIT (2750PSI)		