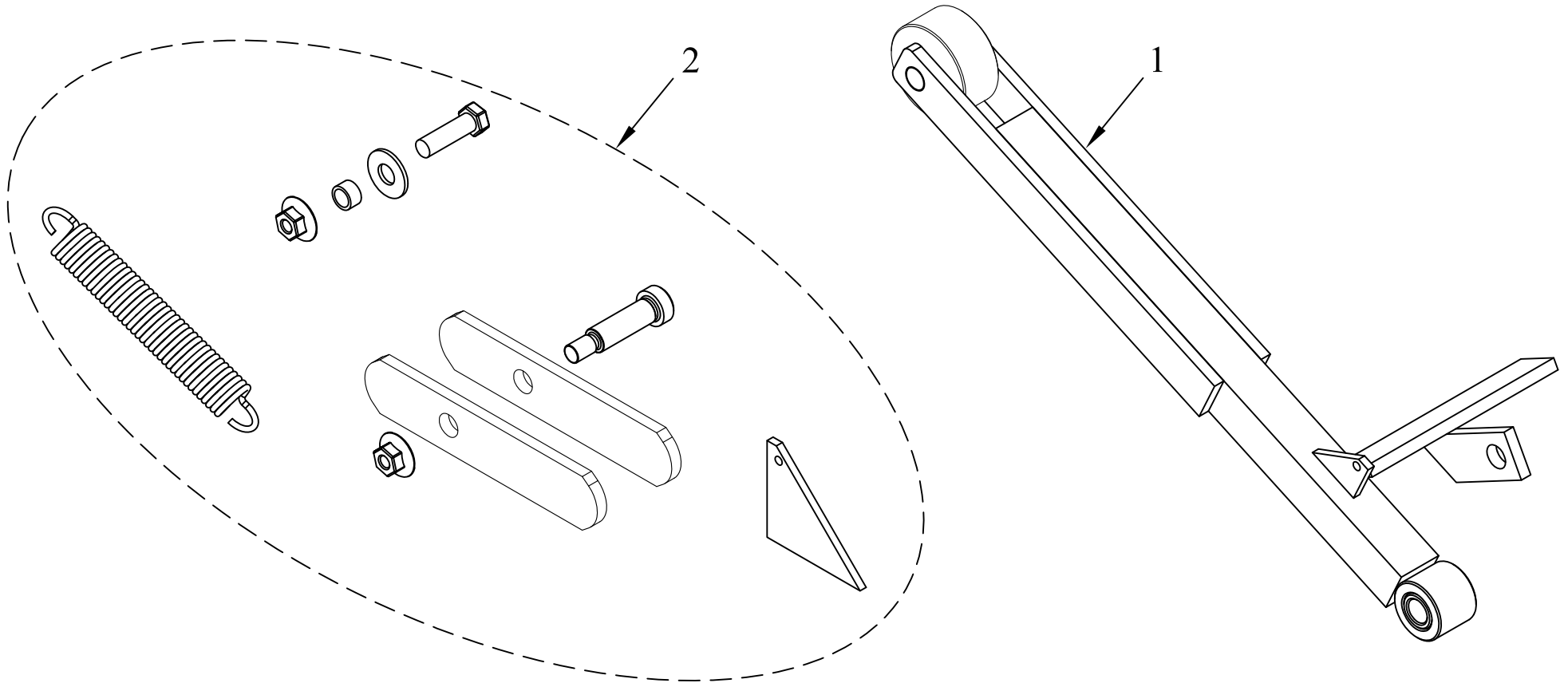


ITEM NO.	QTY.	PART NO.	DESCRIPTION
1	1	007281	SELF CLOSE ARM (RIGHT) (N)
2	1	008121	REPAIR HARDWARE ONLY-STEEL SC ARM



					THIRD ANGLE PROJECTION			FILENAME:		WOODBINE MFG. CO. BUS BROWN DRIVE WOODBINE, IOWA 51579																							
								SYMBOLY PER ANSI Y14.5					NOTES:																				
					<table border="1"> <tr> <td>DECIMAL</td> <td>2PLC</td> <td>3PLC</td> </tr> <tr> <td>MACHINE SAW, DRILL</td> <td>.030</td> <td>.015</td> </tr> <tr> <td>SHEAR, PUNCH FORM</td> <td>.060</td> <td>.030</td> </tr> <tr> <td>TORCH, WELDING ROUGH CAST</td> <td>.090</td> <td>.060</td> </tr> </table>			DECIMAL	2PLC	3PLC	MACHINE SAW, DRILL	.030				.015	SHEAR, PUNCH FORM	.060	.030	TORCH, WELDING ROUGH CAST	.090	.060	DRAWN BY: JCB		712-647-2050								
DECIMAL	2PLC	3PLC																															
MACHINE SAW, DRILL	.030	.015																															
SHEAR, PUNCH FORM	.060	.030																															
TORCH, WELDING ROUGH CAST	.090	.060																															
B					2/8/10			COMBINED PARTS INTO HARDWARE KIT (8121)			JCB			264			DRAWN/DATE 9/26/07			THE INFORMATION HERE IS CONFIDENTIAL AND MUST NOT BE USED IN ANYWAY DETRIMENTAL TO THE INTEREST OF WOODBINE MFG.													
A					9/26/07			DRAWN IN AUTOCAD			JCB			KGJ			APPVD/DATE						TITLE REPLACEMENT STEEL PLATFORM SC ARM KIT-RIGHT (N)										
REV.					DATE			CHANGE RECORD			BY			APPVD			ECN			DRAFT 2*		ANGULAR ±1*		SALES CATEGORY		PRODUCT LINE		SCALE N		FIN. WT. 7.60		PART NO. 8136	