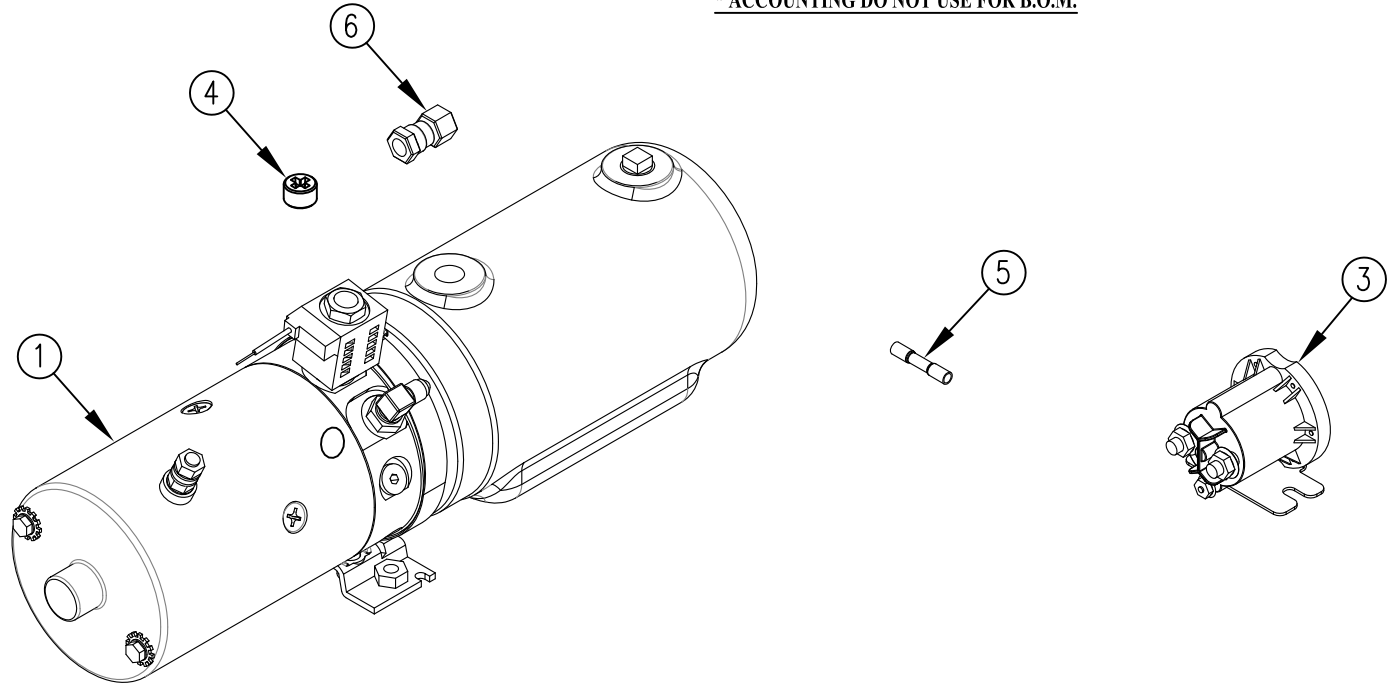


ITEM NO.	QTY.	PART NO.	DESCRIPTION
1	1	004243	RAIL (N) P&M 2QT (73)
2	0.475 GAL	009034	HYDRAULIC OIL
3	1	004321*	MONARCH 3-POST SOLENOID
4	1	004403*	VENT PLUG
5	1	009089	16-14 HEAT SHRINK BUTT CONNECTOR
6	1	012967	#4 FJIC TO #4 FEMALE NPT ADAPTOR (6506-4-4)
7	1	095048	REPLACEMENT POWER UNIT INSTALLATION INSTR.

\* ACCOUNTING DO NOT USE FOR B.O.M.



REV.	DATE	CHANGE RECORD	BY	APPVD	ECN	THIRD ANGLE PROJECTION	FILENAME:	SYMBOLY PER ANSI Y14.5	NOTES:	WOODBINE MFG. CO. BUS BROWN DRIVE WOODBINE, IOWA 51579 712-647-2050												
C	11/14/13	ADDED (1) 012967	GDB		1004																	
B	7/23/10	CHANGED QTY OF 9034 FROM 0.375 TO 0.475; ADDED (1) 9089 AND (1) 95048	JCB		310	<table border="1"> <tr> <td>DECIMAL</td> <td>2PLC</td> <td>3PLC</td> </tr> <tr> <td>MACHINE SAW, DRILL</td> <td>.030</td> <td>.015</td> </tr> <tr> <td>SHEAR, PUNCH FORM</td> <td>.060</td> <td>.030</td> </tr> <tr> <td>TORCH, WELDING ROUGH CAST</td> <td>.090</td> <td>.060</td> </tr> </table>	DECIMAL	2PLC	3PLC		MACHINE SAW, DRILL	.030	.015	SHEAR, PUNCH FORM	.060	.030	TORCH, WELDING ROUGH CAST	.090	.060			
DECIMAL	2PLC	3PLC																				
MACHINE SAW, DRILL	.030	.015																				
SHEAR, PUNCH FORM	.060	.030																				
TORCH, WELDING ROUGH CAST	.090	.060																				
A	8/16/07	DRAWN IN AUTOCAD	JCB	KGJ																		
										<p>THE INFORMATION HERE IS CONFIDENTIAL AND MUST NOT BE USED IN ANYWAY DETRIMENTAL TO THE INTEREST OF WOODBINE MFG.</p>												
										<p>SALES CATEGORY PRODUCT LINE SCALE FIN. WT. PART NO.</p> <p>1:4 4485</p>												