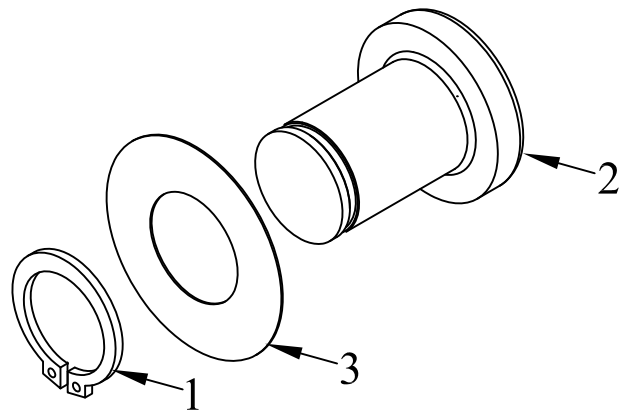


ITEM NO.	QTY.	PART NO.	DESCRIPTION
1	1	000615	5/8" EXTERNAL RETAINING RING-PLATED
2	1	004718	.63"DIAx.923" S.S. FLIPPER RIVET
3	1	007633	NYLATRON WASHER



REV.	DATE	CHANGE RECORD	BY	APPVD	ECN	DRAFT	ANGULAR	SALES CATEGORY	PRODUCT LINE	SCALE	FIN. WT.	PART NO.
						2°	±1°	45	8950	N		4717

THIRD ANGLE PROJECTION		FILENAME:		WOODBINE MFG. CO. BUS BROWN DRIVE WOODBINE, IOWA 51579 712-647-2050
		SYMBOLY PER ANSI Y14.5	NOTES:	
DECIMAL	2PLC	3PLC	DRAWN BY.	
MACHINE SAW, DRILL	.030	.015	DJR	
SHEAR, PUNCH FORM	.060	.030	DRAWN/DATE	
TORCH, WELDING ROUGH CAST	.090	.060	12/10/03	
			APPVD/DATE	TITLE
				EA REPLACEMENT FLIPPER RIVET

THE INFORMATION HERE IS CONFIDENTIAL AND MUST NOT BE USED IN ANYWAY DETRIMENTAL TO THE INTEREST OF WOODBINE MFG.					
--	--	--	--	--	--