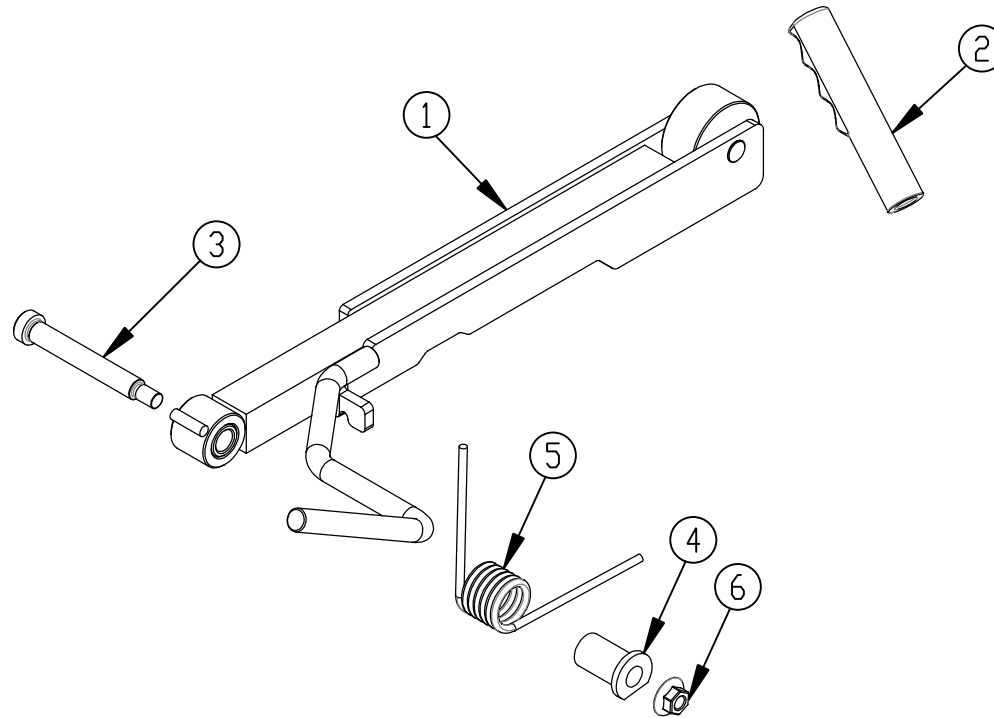


ITEM NO.	QTY.	PART NO.	DESCRIPTION
1	1	014288	RHINO COATED SELF CLOSE ARM BF
2	1	002657	HANDLE GRIP – 4.50" X 1/2" DIAM
3	1	014603	1/2"DIA.x3-1/4" PLATED SHOULDER BOLT
4	1	013850	SELF CLOSE TORSION SPRING HOLDER
5	1	013624	.182" TORSION SPRING SELF CLOSE ARM
6	1	000553	3/8-16 LARGE FLANGE LOCK NUT
7	1	095199	BF SELF CLOSE ARM REPLACEMENT INSTRUCTIONS



				THIRD ANGLE PROJECTION			FILENAME:		WOODBINE MFG. CO. BUS BROWN DRIVE WOODBINE, IOWA 51579																	
							SYMBOLY PER ANSI Y14.5				NOTES: <hr/> <hr/> <hr/> <hr/>															
				<table border="1"> <tr> <td>DECIMAL</td> <td>2PLC</td> <td>3PLC</td> </tr> <tr> <td>MACHINE SAW, DRILL</td> <td>.030</td> <td>.015</td> </tr> <tr> <td>SHEAR, PUNCH FORM</td> <td>.060</td> <td>.030</td> </tr> <tr> <td>TORCH, WELDING ROUGH CAST</td> <td>.090</td> <td>.060</td> </tr> </table>			DECIMAL	2PLC					3PLC	MACHINE SAW, DRILL	.030	.015	SHEAR, PUNCH FORM	.060	.030	TORCH, WELDING ROUGH CAST	.090	.060	DRAWN BY. AAS		THE INFORMATION HERE IS CONFIDENTIAL AND MUST NOT BE USED IN ANYWAY DETRIMENTAL TO THE INTEREST OF WOODBINE MFG.	
DECIMAL	2PLC	3PLC																								
MACHINE SAW, DRILL	.030	.015																								
SHEAR, PUNCH FORM	.060	.030																								
TORCH, WELDING ROUGH CAST	.090	.060																								
							DRAWN/DATE 3/10/16																			
A	3/10/16	RELEASED TO PRODUCTION	AAS	1593	TITLE REPLACEMENT STEEL PLATFORM SC ARM KIT-BF																					
REV.	DATE	CHANGE RECORD	BY	APPVD	ECN	DRAFT 2'	ANGULAR ±1'	SCALE NTS	FIN. WT.	PART NO. 14669																