

DETAILED LIFTGATE DIMENSIONS



FLATBED, STAKE, & VAN BODY

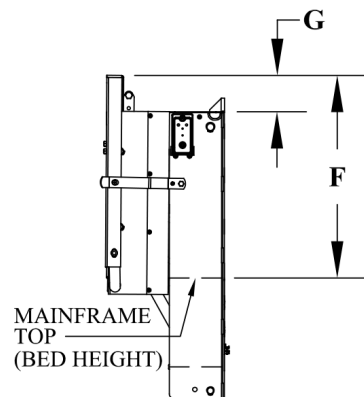
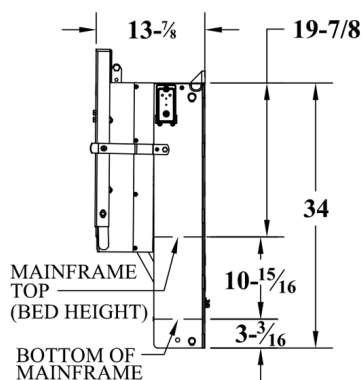
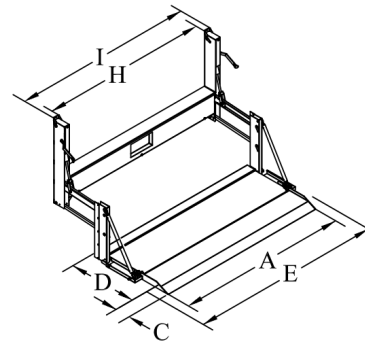
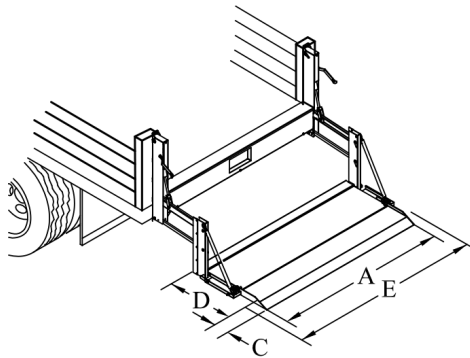


LOW-PROFILE MODELS ¹

					A	C	D	E	F	G	H	I
	Travel	Lifting Capacity	Gate Weight	Platform Loading Width	Taper	Platform Loading Depth	Overall Platform Width	Height of Platform Above Mainframe	Height of Platform Above Upright	Clear Opening Between Uprights	Overall Frame Width	
G2-65-1642 TP38	42	1600-lb. Lifting Capacity	505	60-3/8	4-1/2	38-1/2	70	20-3/16	5/16	61-1/4	66-3/4	
G2-65-1642 EA38	42		436	60-1/4	6	38-1/2	70	20-1/16	3/16	61-1/4	66-3/4	
G2-73-1642 TP38	42		532	66-1/4	4-1/2	38-1/2	76-1/4	20-3/16	5/16	67-1/2	73	
G2-73-1642 EA38	42		458	66-1/2	6	38-1/2	76-1/4	20-1/16	3/16	67-1/2	73	
G2-81-1642 TP38	42		572	74-3/4	4-1/2	38-1/2	84-3/4	20-3/16	5/16	76	81-1/2	
G2-81-1642 EA38	42		489	75	6	38-1/2	84-3/4	20-1/16	3/16	76	81-1/2	
G2-87-1642 TP38	42		592	80-1/4	4-1/2	38-1/2	90-1/4	20-3/16	5/16	81-1/2	87	
G2-87-1642 EA38	42		507	80-1/2	6	38-1/2	90-1/4	20-1/16	3/16	81-1/2	87	
G2-92-1642 TP38	42		609	85-1/4	4-1/2	38-1/2	95-1/4	20-3/16	5/16	86-1/2	92	
G2-92-1642 EA38	42		523	85-1/2	6	38-1/2	95-1/4	20-1/16	3/16	86-1/2	92	

NOTE

1. Low-Profile G2 Models are a specialized application recommended for specific vehicle requirements.



Tommy Gate® liftgates are industrial products for material handling only and are not to be used as personnel or wheelchair lifts. For safe handling and operating instructions, visit www.tommygate.com.