

DETAILED LIFTGATE DIMENSIONS



FLATBED, STAKE, & VAN BODY

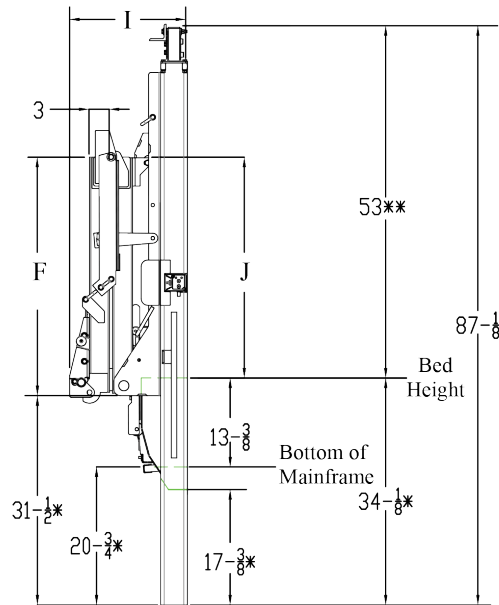
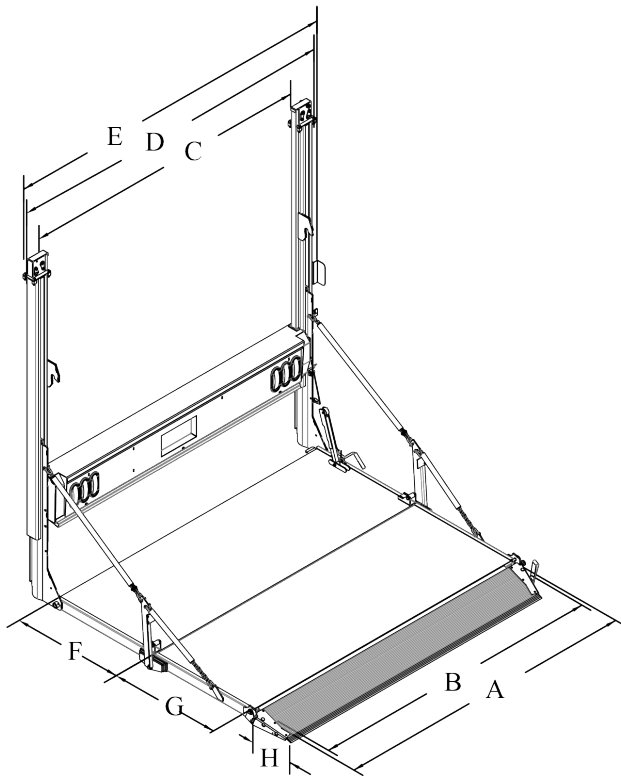
RAILGATE
SERIES



**HIGH-CYCLE,
BI-FOLD MODELS**

	Maximum Truck Bed Height	Lifting Capacity	Gate Weight	Overall Platform Width	Platform Loading Width	Clear Opening Between Uprights	Frame Width Outside Uprights	Overall Gate Width	Platform Base Height (depth)	Platform Foldout Height (depth)	Retention Ramp Loading Taper	Stored Gate Depth	Latchplate to Top of Mainframe
				A	B	C	D	E	F'	G	H	I	J
89-25 BF TP60	54	2500	1320	89	83-1/2	83-3/4	93-3/4	96-7/8	30	30	13	17-3/4	28-1/4
89-25 BF TP70	54	2500	1378	89	83-1/2	83-3/4	93-3/4	96-7/8	35	35	13	17-3/4	33-1/4
95-25 BF TP60	54	2500	1362	95	89-1/2	89-3/4	99-3/4	102-7/8	30	30	13	17-3/4	28-1/4
95-25 BF TP70	54	2500	1420	95	89-1/2	89-3/4	99-3/4	102-7/8	35	35	13	17-3/4	33-1/4
89-30 BF TP60	54	3000	1320	89	83-1/2	83-3/4	93-3/4	96-7/8	30	30	13	17-3/4	28-1/4
89-30 BF TP70	54	3000	1378	89	83-1/2	83-3/4	93-3/4	96-7/8	35	35	13	17-3/4	33-1/4
95-30 BF TP60	54	3000	1362	95	89-1/2	89-3/4	99-3/4	102-7/8	30	30	13	17-3/4	28-1/4
95-30 BF TP70	54	3000	1420	95	89-1/2	89-3/4	99-3/4	102-7/8	35	35	13	17-3/4	33-1/4

NOTE 1. For all Bi-Fold Railgate Models the laden bed height must be greater than the Platform Base Height (measurement F).



IMPORTANT:

- Measurements in drawing depict Bed-height Model.
- For Above-bed model dimensions:
 - * Subtract from dimension, bed-height difference below 54".
 - ** Add to dimension, bed-height difference below 54".

Tommy Gate® liftgates are industrial products for material handling only and are not to be used as personnel or wheelchair lifts. For safe handling and operating instructions, visit www.tommygate.com.