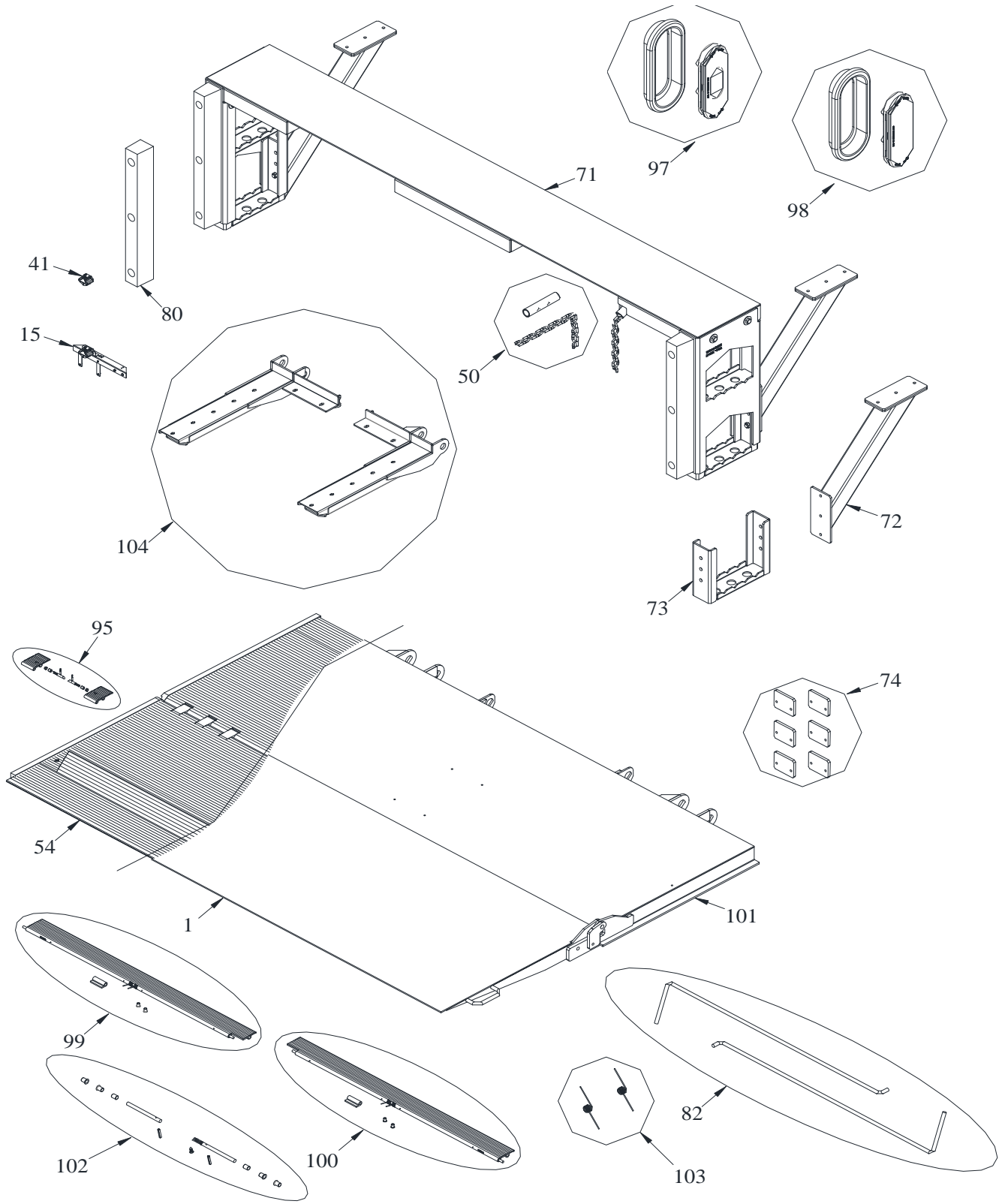
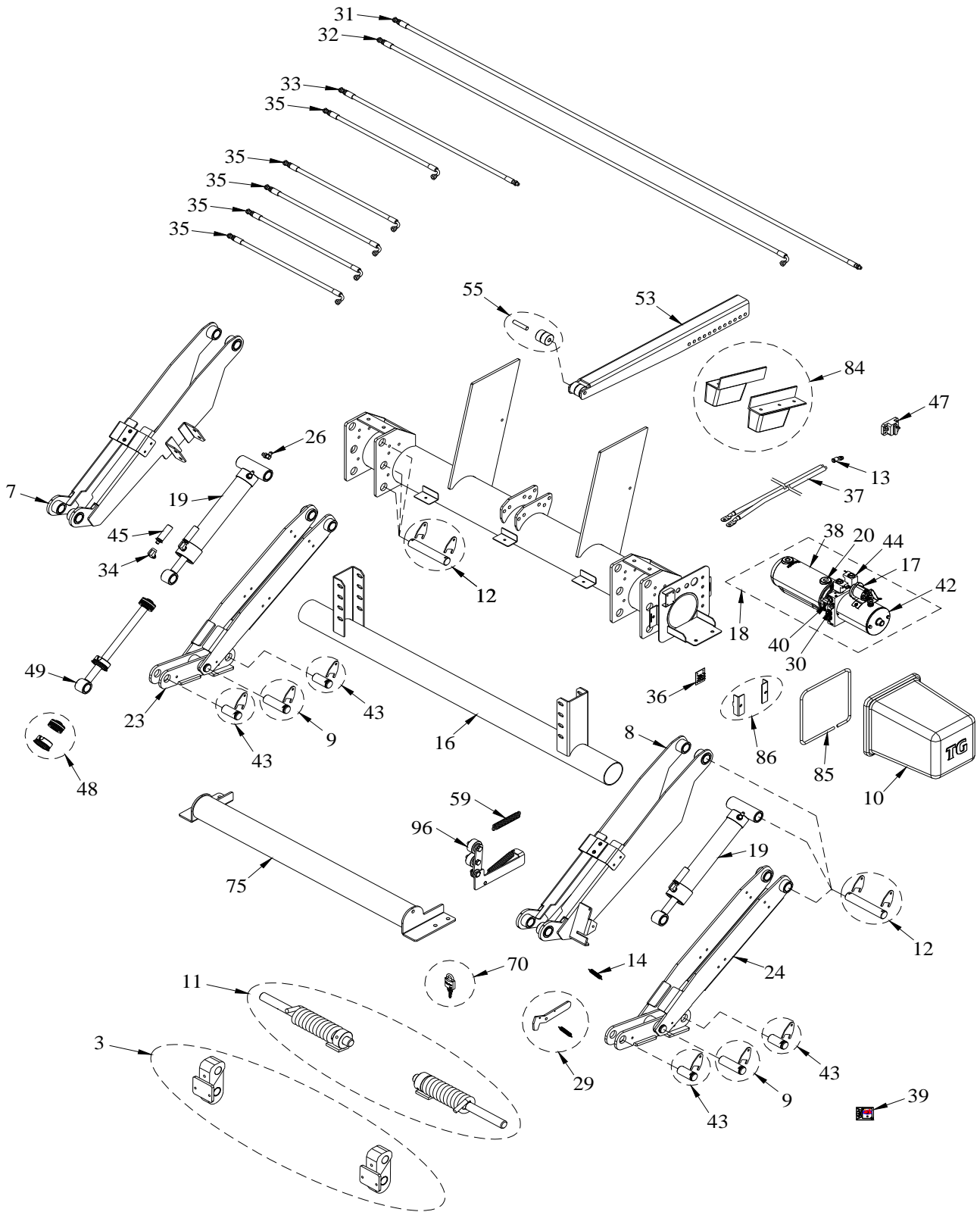


2500 AND 3000 TUCKUNDER SERIES PARTS DRAWING



2500 AND 3000 TUCKUNDER SERIES PARTS DRAWING



TUCKUNDER SERIES PARTS LIST

Draw. Ref.	Part No.	Description	Qty Required
1	013930	Replacement 50" x 80" Aluminum Platform with Cart Stop	1
	013931	Replacement 60" x 80" Aluminum Platform with Cart Stop	1
	013932	Replacement 50" x 80" Aluminum Platform	1
	013933	Replacement 60" x 80" Aluminum Platform	1
	012910	Replacement 50" x 80" Steel Platform	1
	012911	Replacement 60" x 80" Steel Platform	1
3	012912	Platform Link Kit	1
7	012913	Replacement Upper Arm w/Pins & Keepers (Left)	1
8	012914	Replacement Upper Arm w/Pins & Keepers (Right)	1
9	012915	Replacement 1-1/4" Lift Arm Pivot Pin w/ Keeper	2
10	012916	Replacement Power Unit Cover	1
11	012917	Replacement Platform Coil Springs	1
12	012918	Replacement 1-1/4" Frame Pin w/ Keepers	6
13	012919	Replacement 2 Ga. Copper Lug	6
14	000931	Replacement Tuckunder Latch Spring	1
15	013708	License Plate Bracket with Light	1
16	012920	Replacement Upper Arm Tube Assembly	1
17	013558	Replacement Raise Solenoid-4 Post	1
18	012921	Replacement Pump & Motor 3qt.** 2500/3000# Tuckunder	1
	014605	Replacement 24V Pump & Motor 3qt.** 2500/3000# Tuckunder	1
19	012923	Replacement Lift Cylinder	2
20	000989	Replacement Vent Plug Steel	1
	011445	Replacement Vent Plug Plastic	1
23	012924	Replacement Lift Arm w/Pins & Keepers (Left)	1
24	012925	Replacement Lift Arm w/Pins & Keepers (Right)	1
26	011283	Replacement 04MORB x 04MJIC x 90° Cyl. Elbow	2
29	012926	Replacement Tuckunder Latch Handle	1
30	011950	Replacement Poppet Check Valve	1
31	012927	Replacement Hydraulic Hose-Lift Cylinder Long (Left)	1
32	012928	Replacement Hydraulic Hose-Lift Cylinder Short (Left)	1
33	012929	Replacement Hydraulic Hose-Lift Cylinder Long (Right)	1
34	013073	Replacement 04MORB x 04FORB x 90° Cyl. Elbow	2
35	012931	Replacement Hydraulic Hose-Pump/Lift Cylinder Short (Right)	5
36	012932	Replacement Tuckunder Circuit Board	1
37	011803	Replacement 2 Ga. 2 Wire Electric Cable w/Lugs-33 ft.	1
38	012933	Replacement Plastic Tank (3qt.)**	1
39	013559	Replacement Compact Fixed Control	1
40	000974	Replacement Tee Fitting (Pump & Motor)	2
41	014042	Replacement License Plate Light	1
42	000958	Replacement 12 Volt Motor-Only**	1
43	012934	Replacement 1-1/4" Lift Arm Pin w/Keeper	4
44	011947	Replacement 2Way/2Pos Solenoid Assembly w/Connector	1
	011948	Replacement 4Way/2Pos Solenoid Assembly w/Connector	1

TUCKUNDER SERIES PARTS LIST

Draw. Ref.	Part No.	Description	Qty Required
45	012749	Replacement Flow Control (7/16 x 7/16 x 0.078)	2
47	011804	Replacement 200 Amp Manual Reset Circuit Breaker	1
48	012935	Lift Cylinder Seal Repair Kit	2
49	012936	Lift Cylinder Shaft Repair Kit	2
50	012937	Replacement Latch Chain	1
53	012938	Replacement Roller Arm	1
54	012939	Replacement Aluminum 25" Folding Extension	1
	012940	Replacement Aluminum 30" Folding Extension	1
	012922	Replacement Aluminum 25" Folding Extension with Cart Stop	1
	012947	Replacement Aluminum 30" Folding Extension with Cart Stop	1
	014337	Replacement Treadplate 25" Folding Extension	1
	014338	Replacement Treadplate 30" Folding Extension	1
55	012941	Replacement Roller Arm Wheel Kit	1
59	000922	Replacement Passive Latch Spring	1
70	000966	Replacement Padlock w/Keys	1
71	012942	Replacement 94" Standard Bed Extension	1
	012943	Replacement 94" Heavy Bed Extension	1
	012944	Replacement 100" Standard Bed Extension	1
	012945	Replacement 100" Heavy Bed Extension	1
72	012946	Replacement Bed Extension Brace	2
73	012948	Replacement Bed Extension Step	2
74	012950	Replacement Platform Shim Kit	1
75	012930	Replacement Lower Arm Link	1
80	012952	Replacement Dock Bumper	2
82	012953	Replacement Flipper Torsion Spring Kit (50" Steel)	1
	014194	Replacement 60" EA Flipper Torsion Spring Kit(TKT)	1
	012954	Replacement Flipper Torsion Spring Kit (60" Steel)	1
84	012955	Replacement Snubber Kit	1
85	014348	Replacement Power Unit Cover Seal	1
86	014349	Replacement Power Unit Cover Latch	1
95	015037	Replacement Cartstop Spring Assembly (in taper)	1
96	014041	Replacement Passive Latch	1
97	014257	Replacement STT W/Backup LED Light W/Grommet (12VDC)	2
98	014258	Replacement STT Red Light W/Grommet (12VDC)	2
99	014327	Replacement Left Cart Stop	1
100	014328	Replacement Right Cart Stop	1
101	014335	Replacement 30" EA Main Platform	1
	014336	Replacement 25" EA Main Platform	1
	014339	Replacement 25" Treadplate Main Platform	1
	014340	Replacement 30" Treadplate Main Platform	1
102	014543	Removable Cart Stop Replacement Hinge Kit	2
103	014542	Removable Cart Stop Torsion Spring Kit	2
104	014678	Replacement 50" EA Platform Support Kit(TKT)	1
	014679	Replacement 60" EA Platform Support Kit(TKT)	1

**Please provide the liftgate Model and Serial numbers when ordering repair parts.
 Note: The above prices are for standard equipment only. Call the factory for pricing of optional equipment or special