

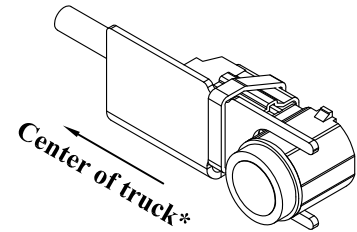
Note: This solution is for specific factory installed rear cameras and sensors on 60" wide pickup body G2 or Original Series liftgates only. It does not support aftermarket products. For a list of available applications see the Tommy Gate Rear Camera and Sensor Bar Application Chart (DPN 095193).

Note: For vehicles manufactured after May 1, 2018 the image on the rear camera display screen should adhere to the standard in National Highway Traffic Safety Administration rule number FMVSS 111.

!Warning: Relocating the factory installed rear camera may result in the display screen gridlines being inaccurate. Operate with caution and be sure to check surroundings before reversing the vehicle.

Remove and Save Camera and Sensors

1. **Remove** the rear sensors and wire harness from the bumper and set aside.
2. **Remove and Save** the rear sensors and wire harness from the bumper.
Do not reuse the factory mounting bezel (Figure 2), doing so may not position the sensors correctly.



*Except for Ram, second sensor from driver's side
Figure 1: Orientation of sensor in bracket.

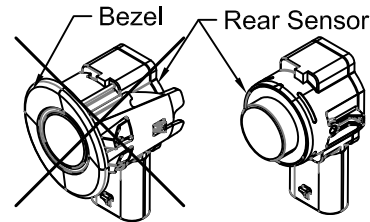


Figure 2: Rear sensor - no bezel.

Installing Rear Camera and Sensors on 60" Wide Liftgate

If mounting holes already exist in the mainframe, skip to step 5.

1. **Position** the rear camera and sensor bar channel underneath the liftgate mainframe (Figure 3).
2. **Mark** the location of the four mounting holes.
3. **Check** for obstructions in the mainframe before drilling holes.
4. **Drill** 1/4" holes in the mainframe of the liftgate where marked in step 2.
5. **Install** the rear camera and sensor bar underneath the liftgate using the supplied 1/4"-20 hex bolts.
6. **Route** wire harnesses from the vehicle to below the liftgate mainframe.
7. **Plug in** camera and sensors to wire harnesses.

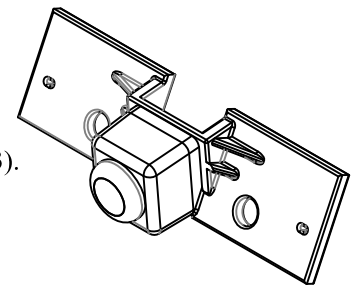


Figure 3: Rear Camera in Factory Mounting Plate

Installing Rear Camera and Sensors on 60" Wide Liftgate (cont)

- 8. Position** sensors into brackets and fix in position using zip ties (Figure 1).
Sensor wires face towards the center of the truck, except as noted below.
Ram Application:
Wires on second sensor from driver's side must face away from center of truck.
The sensor wiring harness loom needs to be reworked to reach mounting points.
- 9. Place** camera into bracket and zip tie as shown for a Ford (Figure 4), screw in place for a General Motors (Figure 5) or Ram (Figure 6).
- 10. Install** camera and sensor brackets into rear camera and sensor bar using the supplied 1/4"-20 hex bolts and nuts.
- 11. Secure** wiring harnesses with zip ties.

Note: To turn off display screen gridlines on GM pickups do the following

Menu > Settings > Rear Camera > Guidance Lines > OFF

To turn off display screen gridlines on Ram pickups do the following

Settings > Safety/Assistance > Parkview Backup > Active Gridlines > Off

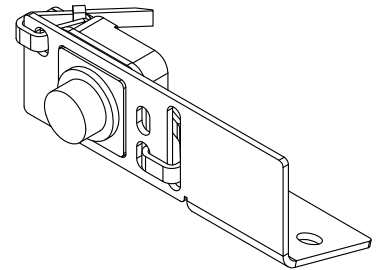


Figure 4: Ford rear camera in bracket.

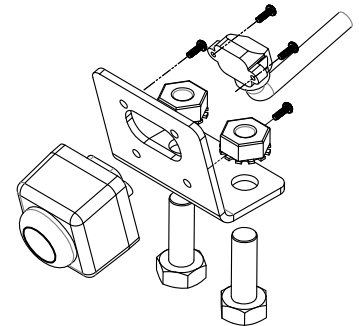


Figure 5: GM rear camera in bracket.

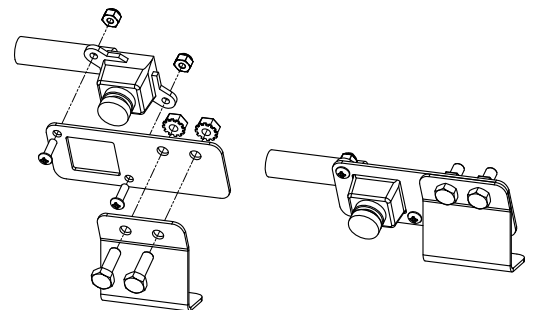


Figure 6: Ram rear camera bracket assembly.