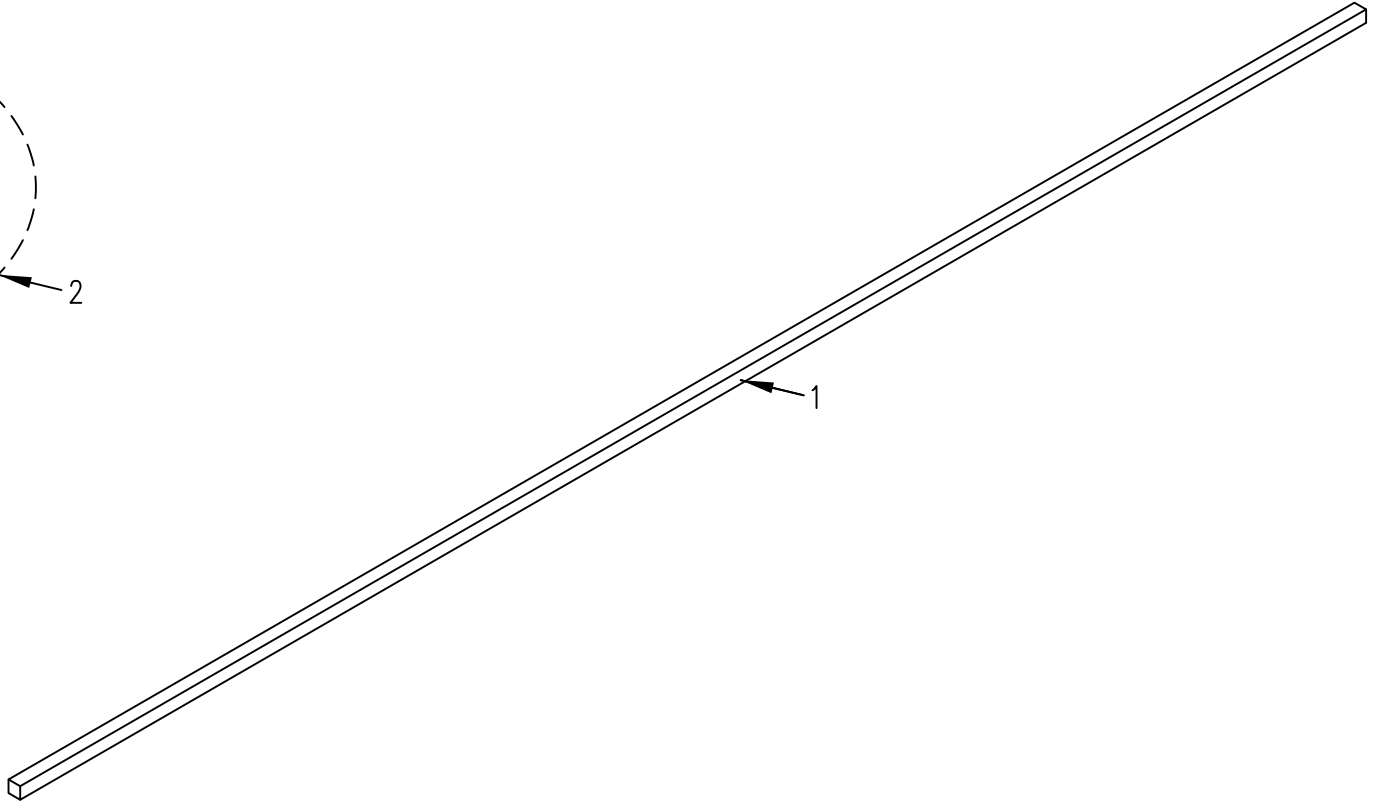
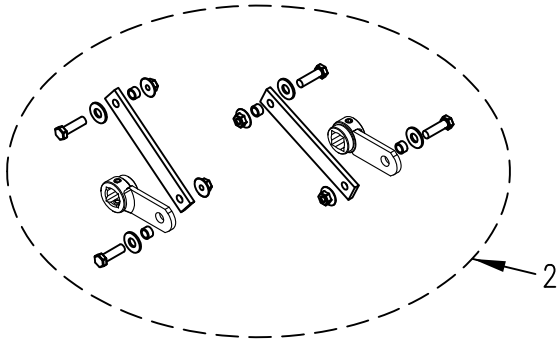

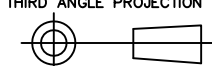


ITEM NO.	QTY.	PART NO.	DESCRIPTION
1	1	001974	3/4" SQ.x86-5/8" HRM BAR(SC)
2	1	008058	SELF CLOSE LINKAGE(COMPLETE)
3	1	095150	RAIL SC ARM AND LINKAGE ROD INSTRUCTIONS (16/20)



REV.	DATE	CHANGE RECORD	BY	APPVD	ECN	DRAFT 2'	ANGULAR ±1'	SALES CATEGORY	PRODUCT LINE	SCALE N	FIN. WT.	PART NO. 8060														
D	1/23/17	ADDED (1) 95150	AAS		1783																					
C	12/4/12	REPLACED (2 EA) 1910, 1936, (4 EA) 1906, 510, 553, 575 WITH (1) 8058	GDB		792																					
B	5/2/12	REMOVED (4) 007711	GDB		649																					
						THIRD ANGLE PROJECTION		FILENAME:		WOODBINE MFG. CO. BUS BROWN DRIVE WOODBINE, IOWA 51579  THE INFORMATION HERE IS CONFIDENTIAL AND MUST NOT BE USED IN ANYWAY DETRIMENTAL TO THE INTEREST OF WOODBINE MFG.																
								SYMBOLY PER ANSI Y14.5					NOTES:													
						<table border="1"> <thead> <tr> <th>DECIMAL</th> <th>2PLC</th> <th>3PLC</th> </tr> </thead> <tbody> <tr> <td>MACHINE SAW, DRILL</td> <td>.030</td> <td>.015</td> </tr> <tr> <td>SHEAR, PUNCH FORM</td> <td>.060</td> <td>.030</td> </tr> <tr> <td>TORCH, WELDING ROUGH CAST</td> <td>.090</td> <td>.060</td> </tr> </tbody> </table>		DECIMAL	2PLC				3PLC	MACHINE SAW, DRILL	.030	.015	SHEAR, PUNCH FORM	.060	.030	TORCH, WELDING ROUGH CAST	.090	.060	DRAWN BY. DJR			
DECIMAL	2PLC	3PLC																								
MACHINE SAW, DRILL	.030	.015																								
SHEAR, PUNCH FORM	.060	.030																								
TORCH, WELDING ROUGH CAST	.090	.060																								
								DRAWN/DATE 7/28/03																		
								APPVD/DATE		TITLE RAIL REPLACEMENT S-CLOSE ROD & LINK(85)																