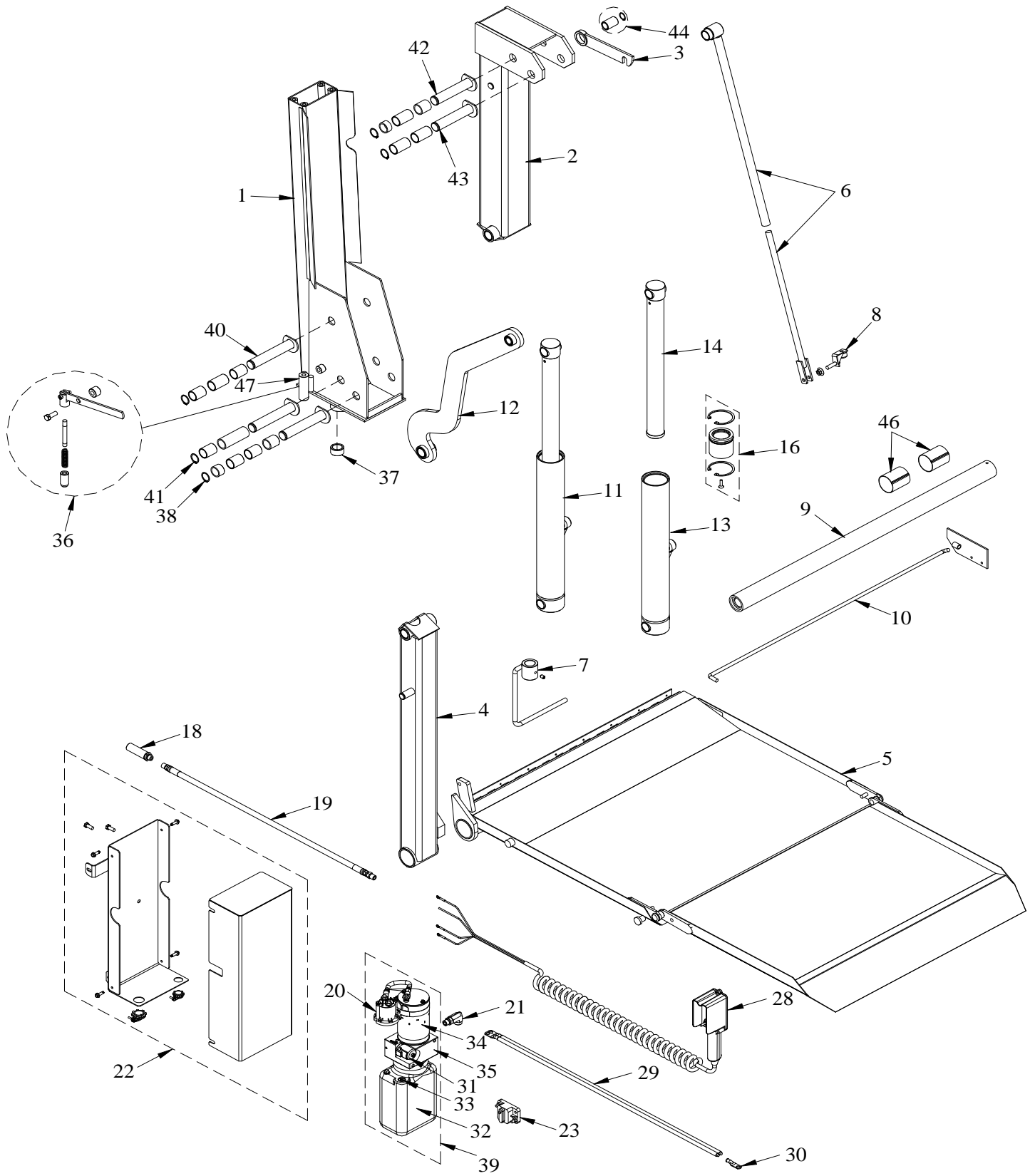


650 SERIES PARTS DRAWING



650 SERIES PARTS LIST

Draw. Ref.	Part No.	Description	Qty Required
1	002206	Replacement 650 Support Tube Assembly	1
2	002209	Replacement 650 Main Lift Tube (4x4x26.12)	1
3	002205	Replacement 650 Platform Latch	1
4	002212	Replacement Vertical Lift Tube (3x3x30.68)	1
5	001400	650 Replacement Platform	1
6	001403	650 Self Close Tube Kit	1
7	002722	Replacement Flipper Arm Self-Closing Rod	1
8	002203	Replacement Flipper Stop (650-31)	1
9	001385	2"x37.25" Replacement Hinge Tube w/Bushings (650)	1
10	002480	Torsion Assist Spring Kit (650)	1
11	002725	Replacement 650 Cylinder	1
12	002724	Replacement 650 Lift Arm	1
13	001383	Replacement Cylinder Tube (650)	1
14	001396	Replacement Cylinder Shaft w/End Lugs Includes: Guide Bushing & O-ring Kit	1
16	002481	Replacement Guide Bushing & O-ring Kit (650)	1
18	000997	Replacement 650 Flow Control w/ Adapters	1
19	012683	Replacement 1/4"x48" Hydraulic Hose w/ Adapters (72P/72S & 650)	1
	012680	Replacement 1/4"x37" Hydraulic Hose w/ Adapters (54, 60-1340 & 650)	1
20	000995	Replacement Solenoid - 4 Post (650)	1
21	000994	Replacement 90 degree Elbow w/ Adapters (650)	1
22	014520	Replacement 650 Pump Box (only) Gate Mount	1
23	000998	Replacement 150 Amp Manual Reset Circuit Breaker	1
28	000993	Replacement 650 Pendant Control	1
29	004570	Replacement 4 Ga. 2 Wire Electrical Cable w/Lugs 26ft.	1
30	000992	Replacement Copper Lug	6
31	002727	Replacement 650 Release Solenoid External Assembly w/Connector	1
32	002728	650 Replacement Tank	1
33	000989	Replacement Vent Plug	1
34	001495	650 Motor (only)	1
35	001215	Pump (only) w/Tank (1550psi) 650 (Discontinued - See Drawing Ref 39)	1
36	002482	650 Pivot Latch Kit (Black Knob)	1
	010451	650 Pivot Latch Kit (Lever)	1
37	000988	Replacement Lower Pivot Bushing	1
38	001437	650 Pin Kit (Lower Cylinder)	1
39	002726	M259 Replacement Pump & Motor Unit (1.5L) (1550psi)	1
40	002207	650 Pin Kit (Lower 4x4 Lift Tube)	1
41	002208	650 Pin Kit (Lower S-Arm)	1
42	001438	650 Pin Kit (Upper Cylinder)	1
43	002210	650 Pin Kit (Upper 3x3 Lift Tube)	1
44	002211	650 Latch & Self Close Bushing Kit	2
46	002204	Replacement Platform Wear Bushing Kit	1
47	002723	Replacement Pivot Pin Sleeve (650)	1

Please provide the liftgate Model and Serial numbers when ordering repair parts.
 Note: The above prices are for standard equipment only. Call the factory for pricing of optional equipment or special