

# DETAILED LIFTGATE DIMENSIONS



**FLATBED, STAKE, & VAN BODY**

**TUCKUNDER**  
SERIES



## TKT MODELS

				A	B	C	
	Bed Height <sup>1</sup>	Lifting Capacity	Flat Loading Surface Width	Platform Loading Depth	Overall Platform Width	Gate Weight <sup>2</sup>	Shipping Weight <sup>3</sup>
<b>TKT-80-25 TP50</b>	40-54	2500	80	50	82	887	1042
<b>TKT-80-25 TP60</b>	45-54	2500	80	60	82	980	1135
<b>TKT-80-25 EA50</b>	40-54	2500	79-1/2	50	82-1/4	816	971
<b>TKT-80-25 EA60</b>	45-54	2500	79-1/2	60	82-1/4	866	1021
<b>TKT-80-30 TP50</b>	40-54	3000	80	50	82	887	1042
<b>TKT-80-30 TP60</b>	45-54	3000	80	60	82	980	1135
<b>TKT-80-30 EA50</b>	40-54	3000	79-1/2	50	82-1/4	816	971
<b>TKT-80-30 EA60</b>	45-54	3000	79-1/2	60	82-1/4	866	1021

### NOTES

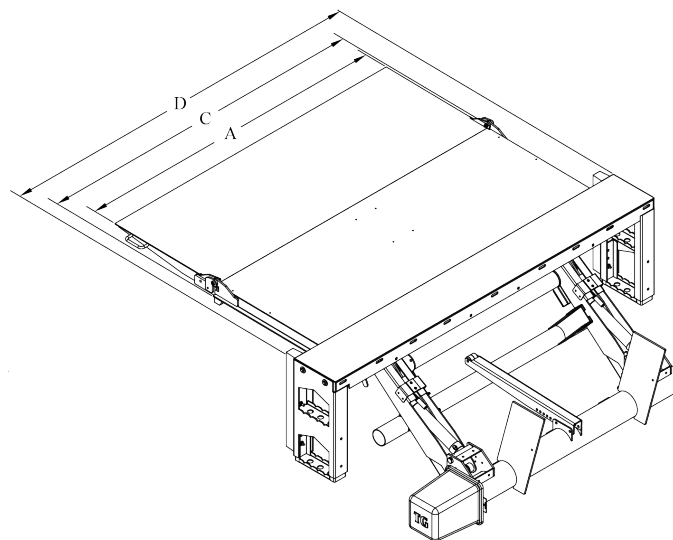
1. Minimum bed heights (laden), Maximum bed heights (unladen).
2. Must add bed extension weight for total gate weight.
3. Must add bed extension weight for total shipping weight.

## Bed Extensions

			D
	Treadplate Thickness	Bed Extension Width	Bed Extension Weight
<b>94" Standard <sup>4</sup></b>	3/16	94-1/2	276
<b>94" Heavy Duty <sup>4</sup></b>	3/8	94-1/2	334
<b>100" Standard <sup>5</sup></b>	3/16	100-1/2	283
<b>100" Heavy Duty <sup>5</sup></b>	3/8	100-1/2	341

### NOTES

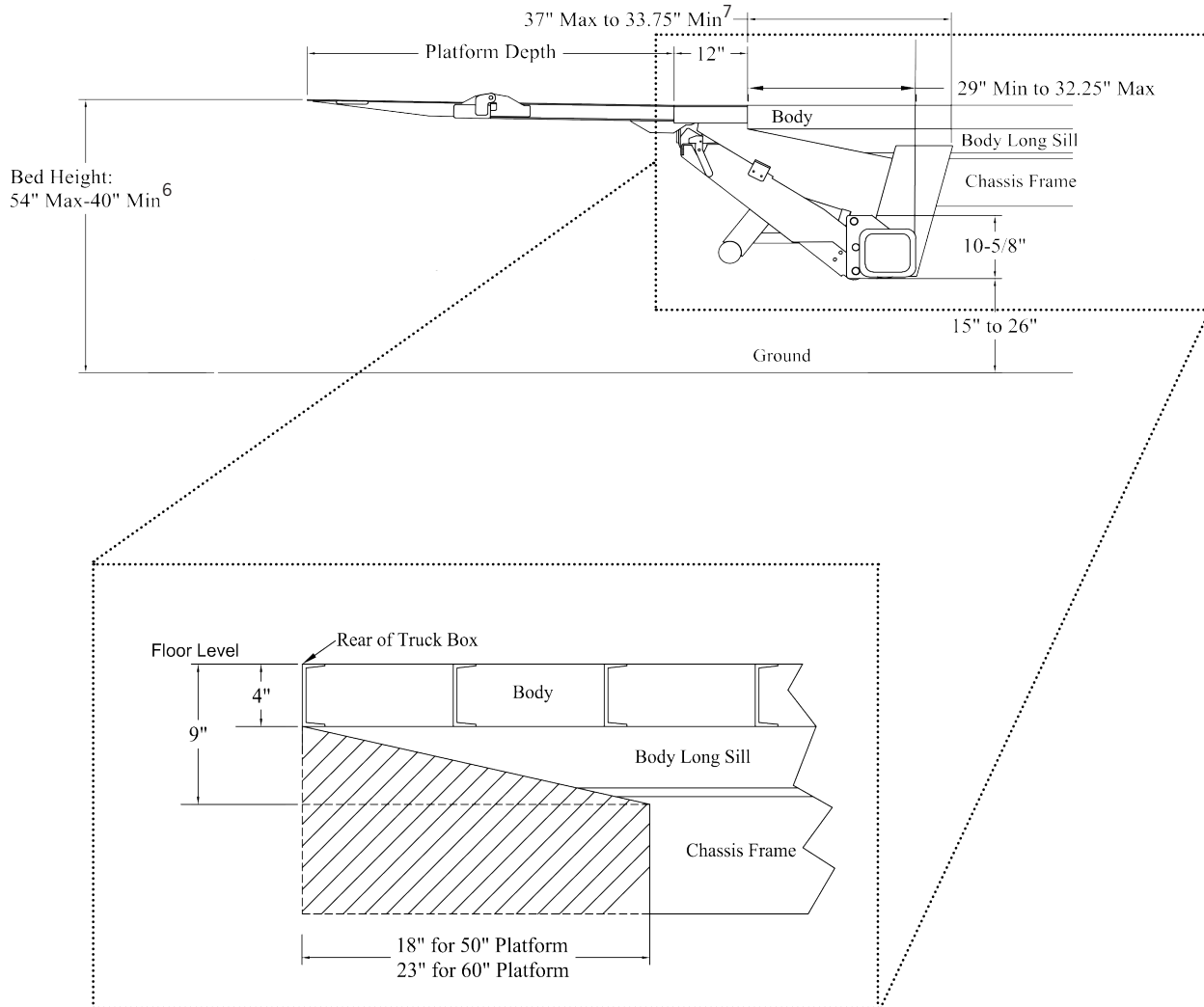
4. 94-inch extensions fit 96" body widths
5. 100-inch extensions fit 102" body widths



**FLATBED, STAKE, & VAN BODY**



**TUCKUNDER INSTALLATION SPECS**



**NOTES**

Dimensions in inches unless otherwise noted

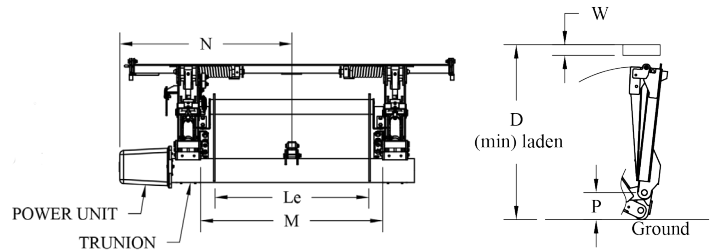
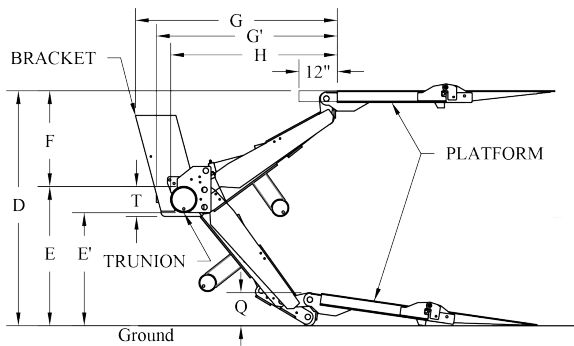
- 6. 40" Minimum loaded bed height for 50" deep platforms  
45" Minimum loaded bed height for 60" deep platforms
- 7. Dimension varies with bed height.  
37" is for 40" bed height installations  
33-3/4" is for 54" bed height installations

**TKT MOUNTING LOCATION GUIDE 2500-3500 LBS**

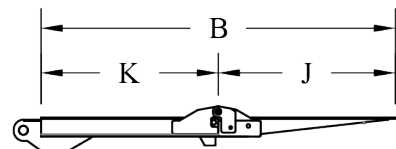
D - Bed Height	E	E'	F	G	G'	H	Le		Q	M	N	T	P	W
							max	min	max		min			
40	22	16	18	49.00	44.25	41.00	32.0	43.0	7.6	46.0	43.5	6.0	6.0	2.7
41	22	16	19	48.50	43.75	40.50								
42	22	16	20	48.00	43.25	40.00								
43	22	16	21	47.25	42.50	39.25								
44	22	16	22	46.50	41.75	38.50								
45	22	16	23	45.75	41.00	37.75								
46	23	17	23	45.75	41.00	37.75								
47	24	18	23	45.75	41.00	37.75								
48	25	19	23	45.75	41.00	37.75								
49	26	20	23	45.75	41.00	37.75								
50	27	21	23	45.75	41.00	37.75								
51	28	22	23	45.75	41.00	37.75								
52	29	23	23	45.75	41.00	37.75								
53	30	24	23	45.75	41.00	37.75								
54	31	25	23	45.75	41.00	37.75								

**IMPORTANT**

- All dimensions in inches.
- Dimensions may vary depending on mounting requirements.
- G: distance between platform and the end of the bracket.
- G': distance between the platform and the end of the power unit
- H: distance between the platform and the back of the trunion. (H=G-5")



Minimum Bed Height				
Model	Platform Length (B)	J	K	Minimum Bed Height (D)
TP50 and EA50	50"	25"	25"	40"
TP60 and EA 60	60"	30"	30"	45"



Tommy Gate® liftgates are industrial products for material handling only and are not to be used as personnel or wheelchair lifts. For safe handling and operating instructions, visit [www.tommygate.com](http://www.tommygate.com).