

REAR CAMERA & SENSOR KIT



for Ford Transit® Commercial Vans

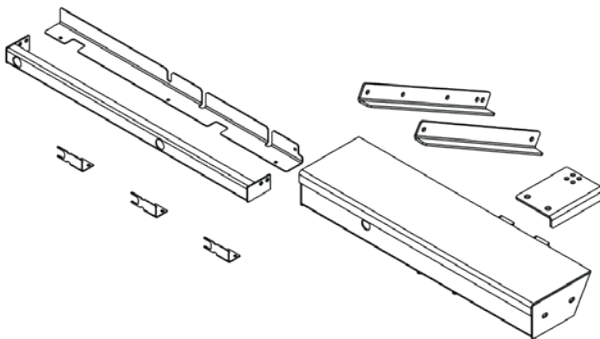
Camera and Sensor Kits for Ford Transit Commercial Vans have been expertly designed to accommodate both the factory installed backup equipment and the hydraulic lift. The kits reposition the camera and sensors while maintaining the van's aesthetic appeal and component functionality.



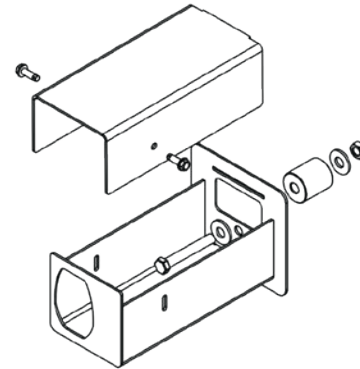
CVL-AF-1330 EF71

PATENT PENDING

Sensor Bar*



Camera Housing*



* includes wiring harness, not shown.

Make/Model	Year	Kit #	Kit Description
Ford Transit	2017	14741	Transit Sensor Kit
Ford Transit	2017	14775	Transit Camera Kit

In view of the responsibility of altered-stage vehicle manufacturers to comply with FMVSS 111, Tommy Gate offers its "Camera and Sensor Kits" as a possible solution. However, it is the sole responsibility of the upfitter/final stage manufacturer to determine if the Tommy Gate Camera and Sensor Kit meets FMVSS 111 and/or any other applicable vehicle certification - and it is not the responsibility of Tommy Gate/Woodbine Manufacturing Company. Any information made available by Tommy Gate regarding its Camera and Sensor Kit is not intended to be, and shall not be, relied upon as a final determination of compliance with FMVSS 111 and/or any other vehicle certification. Each distributor must, on its own, make each such required determination for each vehicle it offers to a customer. Tommy Lifts are industrial products for material handling only and are not to be used as personnel or wheelchair lifts. For safe handling and operating instructions, visit: www.tommygate.com. This price sheet is a supplement, effective August 2016, All terms and conditions of sale apply. Please see the Tommy Gate Liftgate Price List for complete information.