

DETAILED LIFTGATE DIMENSIONS



FLATBED, STAKE, & VAN BODY



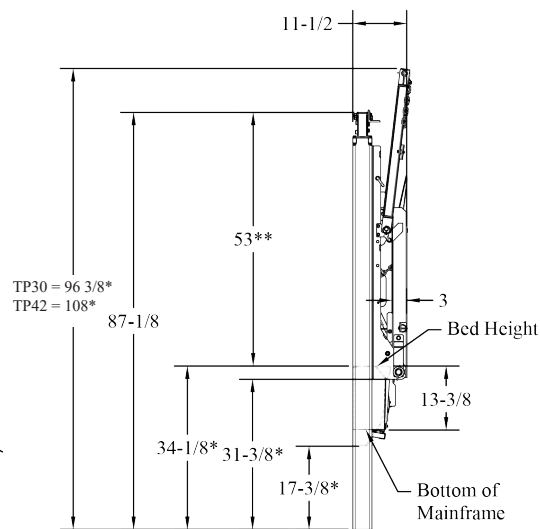
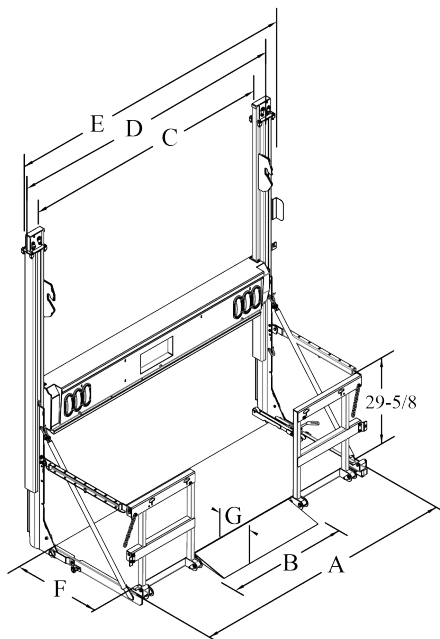
**GAS BOTTLE RACK (GBR)
STEEL-FRAME MODELS**

	Max Bed-Height of Truck	Min Bed-Height of Truck	Lifting Capacity	Gate weight	Platform Width	Platform Loading Width	A	B	C	D	E	F	G
89-25 GBR TP30	54	38	2500	1050	89	37	83-3/4	93-3/4	96-7/8	30	12		
95-25 GBR TP30	54	38	2500	1085	95	43	89-3/4	99-3/4	102-7/8	30	12		
89-30 GBR TP30	54	38	3000	1050	89	37	83-3/4	93-3/4	96-7/8	30	12		
95-30 GBR TP30	54	38	3000	1085	95	43	89-3/4	99-3/4	102-7/8	30	12		
89-25 GBR TP42	54	38	2500	1150	89	50	83-3/4	93-3/4	96-7/8	42	15		
95-25 GBR TP42	54	38	2500	1190	95	56	89-3/4	99-3/4	102-7/8	42	15		
89-30 GBR TP42	54	38	3000	1150	89	50	83-3/4	93-3/4	96-7/8	42	15		
95-30 GBR TP42	54	38	3000	1190	95	56	89-3/4	99-3/4	102-7/8	42	15		

IMPORTANT

- Dimensions are in inches unless otherwise noted
- Marked dimensions will vary for above-bed models:
 - * Subtract X from these dimensions
 - ** Add X to this dimension

When Bed-height is between 40" and 54", X = (54" <minus> Bed-height)
 When Bed-height is 40" or less, X = 14"



Tommy Gate® liftgates are industrial products for material handling only and are not to be used as personnel or wheelchair lifts. For safe handling and operating instructions, visit www.tommygate.com.