

Note: This solution is for specific factory installed backup cameras on Chevy Colorado/GMC Canyon with G2 or Original Series liftgates only. It does not support aftermarket products. For a list of available applications see the Tommy Gate Backup Bar Application Chart (DPN 095193).

Note: For vehicles manufactured after May 1, 2018 the image on the backup camera display screen should adhere to the standard in National Highway Traffic Safety Administration rule number FMVSS 111.

!Warning: Relocating the factory installed backup camera may result in the display screen gridlines being inaccurate. Operate with caution and be sure to check surroundings before reversing the vehicle.

Remove and Save Camera and Sensors

1. **Remove** the tailgate access panel to gain access to the back-up camera.
2. **Remove** the plastic back-up camera bracket from the tailgate.
3. **Remove** the camera from the plastic bracket by removing the two screws holding the harness and the two screws holding the camera to the bracket, save all four screws.

Installing Backup Camera

1. **Remove** the liftgate box cover.
2. **Install** the camera channel on the bottom of the liftgate with four (4) 1/4" hex bolts and nuts (Figure 1).
3. **Install** the camera into the bracket provided with the screws from the camera (Figure 2).
4. **Connect** the wiring harness to the camera using the original two screws.
5. **Install** the camera and bracket to the bottom of the liftgate, inside the camera channel, with two (2) 1/4" hex bolts and nuts (Figures 2 & 3).
6. **Secure** the camera wire and wiring harness to liftgate and truck with zip ties.

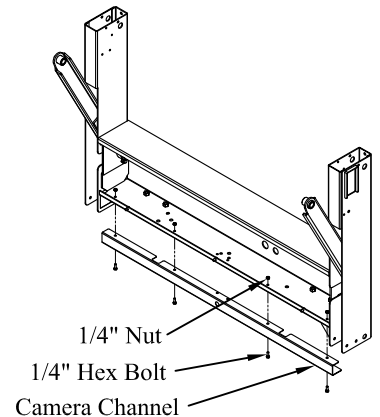


Figure 1: Back-up camera channel.

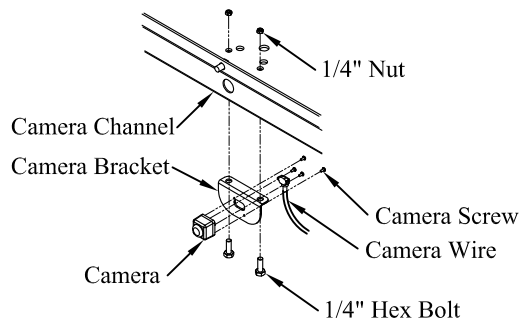


Figure 2: Back-up camera installation diagram.

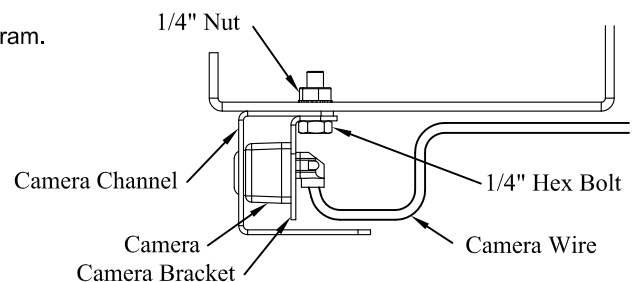


Figure 3: Back-up camera.