



THE ALL-NEW V2 SERIES

COMMERCIAL VANS

DESIGNED TO ACCOMMODATE ANY CARGO-HANDLING APPLICATION

TOMMYGATE.COM/LIFTGATES/CARGO-VAN

1300 LBS
CAPACITY



MODEL CVL-AA-1330 EF71

CANTILEVER SERIES

The External Van Lift

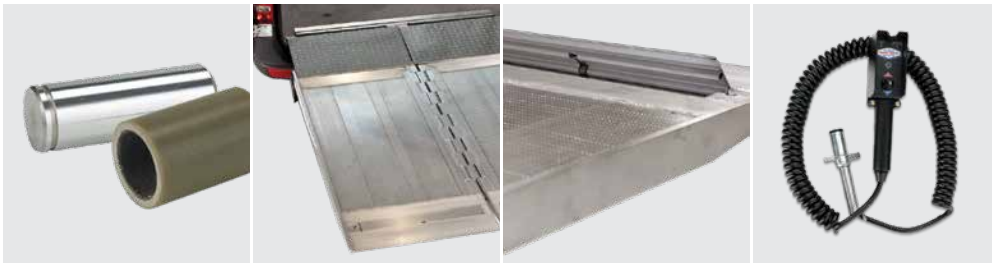
Cantilever Series models are highly versatile and include a bolt-on under-side mount, corrosion-resistant aluminum platform, and foot-activated cart stops. The laterally-folding platform allows for access to the rear of the vehicle without operating the lift. Easy to use and highly efficient, Cantilever Series models are aesthetically pleasing as well as logistically practical.

1 EASY TO USE

Platforms support a large loadable area and come standard with dual cart stops and internal bridges.

2 FOOT-ACTIVATED CART STOPS

Secure wheeled cargo.



The Cantilever Series features internal bridges, dual cart stops, remote pendant control, and maintenance-free components.



LEFT: the larger platform (EF71) features 60 inches of loading depth and is recommended for higher-roof vans only.

RIGHT: the smaller platform (EF52) features 40 inches of loading depth and is ideal for low-roof vans.

Available Models ¹

Model Number		Load Area	Depth	Travel	Gate Weight
1300 lb. Lifting Capacity	MB SPRINTER® 2007-2018 2500 All Styles / 3500 170" WB & 170" WB Ext. ²				
	CVL-AA-1330 EF71	53 x 60	71	30	610
	CVL-AA-1330 EF52	53 x 40	52	30	570
	MB SPRINTER® 2007-2018 3500 144" WB ²				
	CVL-AB-1330 EF71	53 x 60	71	30	610
	CVL-AB-1330 EF52	53 x 40	52	30	570
	Nissan NV® 2011-2018				
	CVL-AC-1330 EF71	53 x 60	71	30	610
	CVL-AC-1330 EF52	53 x 40	52	30	570
	Chevrolet / GMC EXPRESS®/SAVANA® 2011-2018				
	CVL-AD-1330 EF52	53 x 40	52	30	570
	Ram Promaster® 2014-2018 1500/2500/3500, 118", 136", & 159"WB				
	CVL-AE-1330 EF71	53 x 60	71	30	610
	CVL-AE-1330 EF52	53 x 40	52	30	570
	Ram Promaster® 2014-2018 3500, 159"WB Extended Body (ONLY)				
	CVL-AH-1330 EF71	53 x 60	71	30	610
	CVL-AH-1330 EF52	53 x 40	52	30	570
	Ford Transit® 2015-2018 150/250/350, 130", & 148"WB ³				
	CVL-AF-1330 EF71	53 x 60	71	30	610
	CVL-AF-1330 EF52	53 x 40	52	30	570
Ford Transit® 2015-2018 350, 148"WB Extended Body (ONLY) ³					
CVL-AG-1330 EF71	53 x 60	71	30	610	
CVL-AG-1330 EF52	53 x 40	52	30	570	

1. Installation may affect specific vehicle features such as rear sensors and back-up cameras. Installation also requires the spare tire to be relocated and is not compatible with any form of towing hitch.
2. Mercedes-Benz requires the use of an auxiliary battery for all liftgates installed on SPRINTER® vans.
3. Ford Transit® "medium-height" models are compatible with EF71 platform. Some Ford Transit® installations may require a separate connection point kit to be ordered from Ford. See Install Instructions or contact customer service.



VIEW ALL LIFTGATE IMAGES AND VIDEOS AT TOMMYGATE.COM

650 SERIES

The Lightweight Van Lift

Low-capacity, compact, and internally-mounted, the 650 Series is an excellent option for lightweight van applications. 650 Series models fold up and store out of the way of ordinary tasks or flat against the inside of the rear door.

1 TWO STORAGE POSITIONS

Fold-away interior mount offers access to the rear of the van.



Available Models

	Model Number	Load Area	Taper	Travel	Applications	Gate Weight
650 lb. Capacity	Smooth Steel Platform 650	30 x 39	4	31.5	A	345

Code	Manufacturer	Model Year	Body Style	Bracket
A	Chevrolet / GMC	2002-2005	ASTRO® / SAFARI®	2400
A	Chevrolet / GMC	2002-2018	EXPRESS® / SAVANA®	2410
A	Chevrolet / GMC	2015-2018	CITY EXPRESS®	13319
A	Dodge/Ram	2014-2018	Ram Promaster (standard roof)	13080
A	Dodge/Ram	2014-2018	Ram Promaster (high roof)	13498
A	Dodge/Ram	2015-2018	Promaster City	14502
A	Ford	2002-2014	E-Series	2408
A	Ford	2010-2013	Transit Connect®	10179
A	Ford	2014-2018 ¹	Transit Connect® ¹	13694
A	Ford	2015-2018	Transit (standard roof)	13821
A	Ford	2015-2018	Transit (medium roof)	14012
A	Ford	2015-2018	Transit (high roof)	13914
A	SPRINTER® ²	2002-2006	Standard Roof	2397
A	SPRINTER® ²	2002-2006	High Roof	2398
A	SPRINTER® ²	2007-2018	Standard Roof	2632
A	SPRINTER® ²	2007-2018	High Roof	2633
A	NISSAN	2013-2018	NV200	13319

1. The lift platform cannot be stored along driver side wall on this application.
2. Mercedes-Benz requires the use of an auxiliary battery for all liftgates installed on SPRINTER® vans.

NEW

TOMMY GATE® V2 SERIES

V2 SERIES

The New Internal Van Lift

The latest in liftgate technology, the V2 Series by Tommy Gate provides the maximum platform loading area while occupying the smallest possible space when stored in the rear of the van. The V2 combines sleek modern engineering with hands-free platform open and close, built-in cart retention ramp, and 1100lbs. of lifting capacity.

1 RETENTION RAMP

Retention ramp easily locks into place to secure wheel-based carts or cargo. Foot or hand activated.

2 BRIDGE MOUNT

Aluminum treadplate bridge mounts provide smooth transition for moving cargo to and from lift platform to vehicle bed.

3 TWO-FUNCTION CONTROL

Pendant control with raise/lower toggle and secondary platform fold function.

4 LOW-PROFILE PUMP BOX

Pump and motor housing fits compactly over the wheel well.

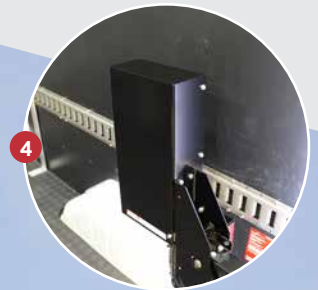
5 FLAT-LOADING TAPER

Platform rests flat at ground level, minimizing load angle.

**1100 LBS
CAPACITY**



MODEL V2-56-1140 FA49



TOMMY GATE®

Available Models

	Model Number	Load Area	Taper	Travel	Applications	Gate Weight
1100 lb.	Framed Aluminum Platforms					
	V2-56-1140 FA34	47 x 34	9	40	B	420
	V2-56-1140 FA49 ¹	47 x 49	9	40	A	500

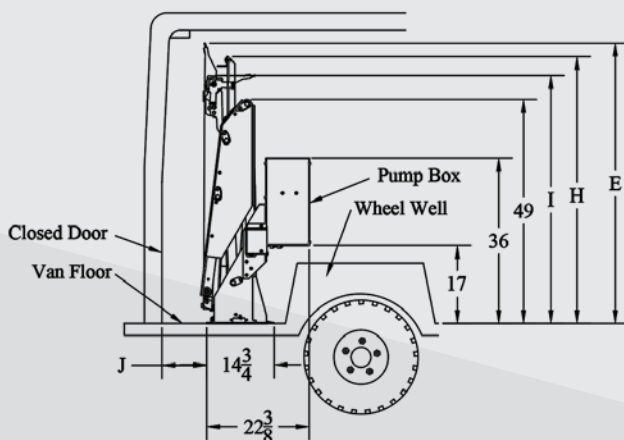
- FA49 Models must have the 9" retention ramp/taper engaged when storing the platform on lower roof van models to avoid the ramp contacting the van frame. See Application Chart.

Application Chart

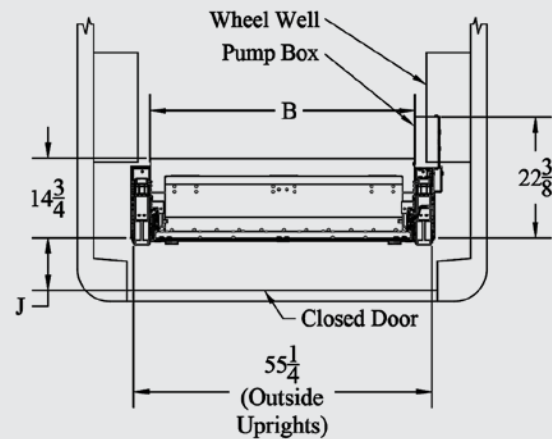
Manufacturer	Model Year	Body Style	Bracket Code	Roof Height		
				Low	Medium	High
Ford	2015 - 2018	TRANSIT®	AF	B	A, B	A, B
Ford	2015 - 2018	TRANSIT® <i>Extended Body</i>	AG	n/a	n/a	A, B
Ram	2015 - 2018	Ram Promaster	AE	A ¹ , B	n/a	A, B
Ram	2015 - 2018	Ram Promaster <i>Extended Body</i>	AH	A ¹ , B	n/a	A, B
Sprinter®	2007 - 2018	170" WB Extended 2500	AA ²	n/a	n/a	A, B
Nissan	2015 - 2017	NV	AA	B	n/a	A, B

Installation Dimensions *

SIDE VIEW



TOP VIEW



*Dimensions E, H, I, & J are all application specific. View the full dimension chart at www.tommygate.com