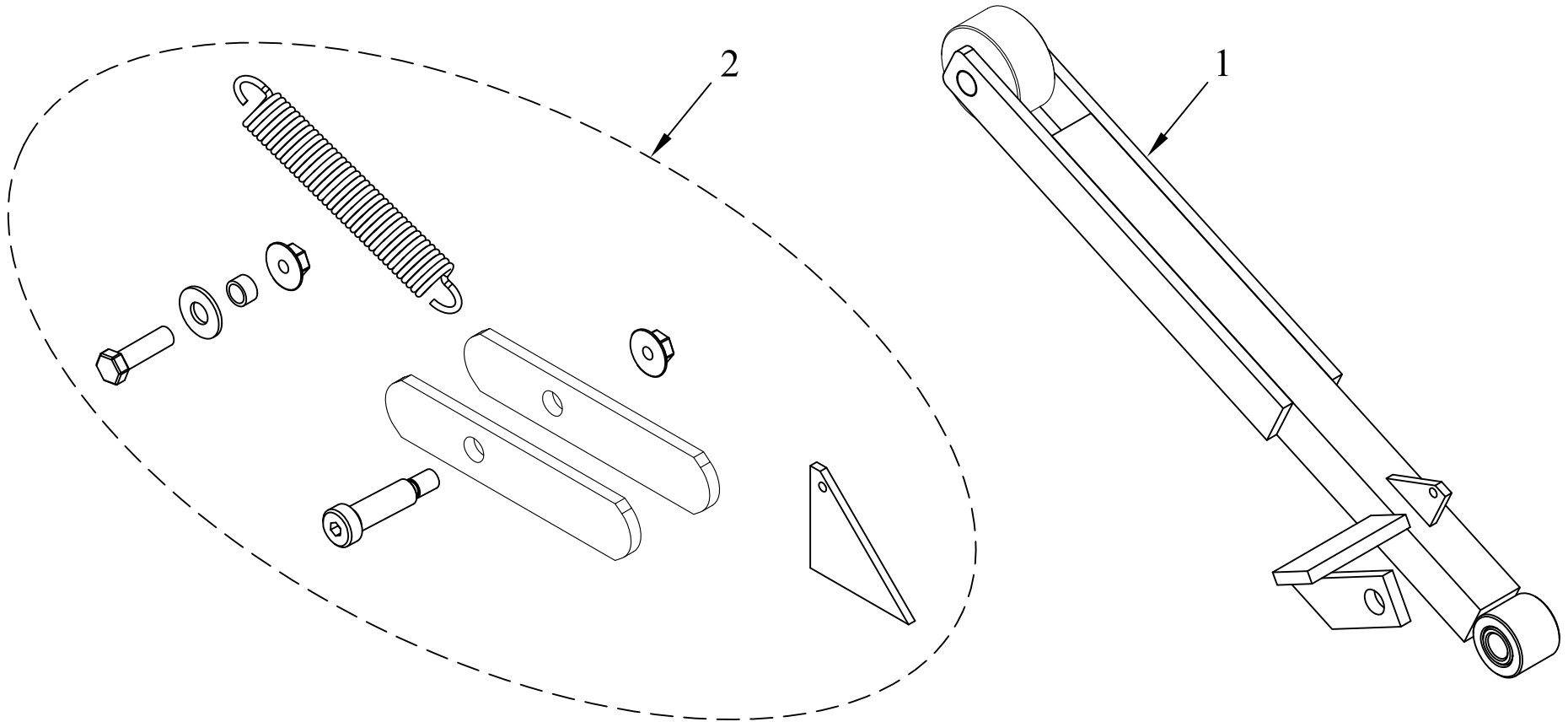


ITEM NO.	QTY.	PART NO.	DESCRIPTION
1	1	007282	SELF CLOSE ARM (LEFT) (N)
2	1	008120	REPAIR HARDWARE ONLY-ALUM SC ARM



					THIRD ANGLE PROJECTION		FILENAME:		WOODBINE MFG. CO. BUS BROWN DRIVE WOODBINE, IOWA 51579															
							SYMBOLY PER ANSI Y14.5		NOTES:															
					<table border="1"> <tr> <td>DECIMAL</td> <td>2PLC</td> <td>3PLC</td> </tr> <tr> <td>MACHINE SAW, DRILL</td> <td>.030</td> <td>.015</td> </tr> <tr> <td>SHEAR, PUNCH FORM</td> <td>.060</td> <td>.030</td> </tr> <tr> <td>TORCH, WELDING ROUGH CAST</td> <td>.090</td> <td>.060</td> </tr> </table>		DECIMAL	2PLC	3PLC	MACHINE SAW, DRILL	.030	.015	SHEAR, PUNCH FORM	.060	.030	TORCH, WELDING ROUGH CAST	.090	.060	DRAWN BY: JCB		712-647-2050			
DECIMAL	2PLC	3PLC																						
MACHINE SAW, DRILL	.030	.015																						
SHEAR, PUNCH FORM	.060	.030																						
TORCH, WELDING ROUGH CAST	.090	.060																						
B	2/8/10	COMBINED PARTS INTO HARDWARE KIT (8120)	JCB	264			DRAWN/DATE 9/27/07		<small>THE INFORMATION HERE IS CONFIDENTIAL AND MUST NOT BE USED IN ANYWAY DETRIMENTAL TO THE INTEREST OF WOODBINE MFG.</small>															
A	9/27/07	DRAWN IN AUTOCAD	JCB	KGJ			APPVD/DATE		TITLE REPLACEMENT ALUM PLATFORM SC ARM KIT-LEFT (STEEL FRAME)(N)															
REV.	DATE	CHANGE RECORD	BY	APPVD	ECN	DRAFT 2*	ANGULAR ±1*	SALES CATEGORY	PRODUCT LINE	SCALE N	FIN. WT. 6.49	PART NO. 8140												