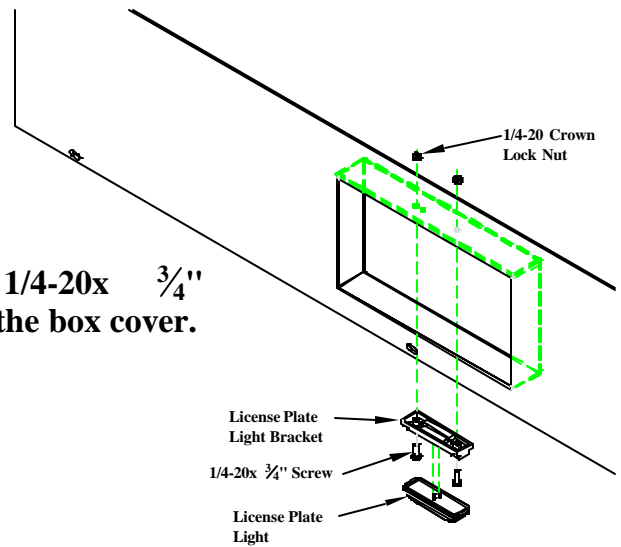


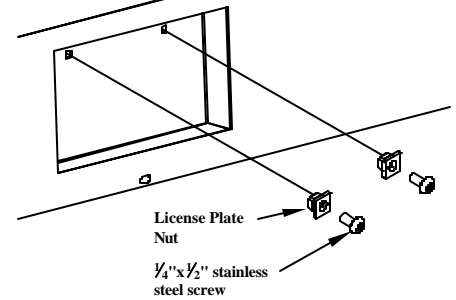
LICENSE PLATE LIGHT

Install the license plate light, license plate light bracket, 1/4-20x $\frac{3}{4}$ " screws, and 1/4-20 lock nuts in the location provided in the box cover.



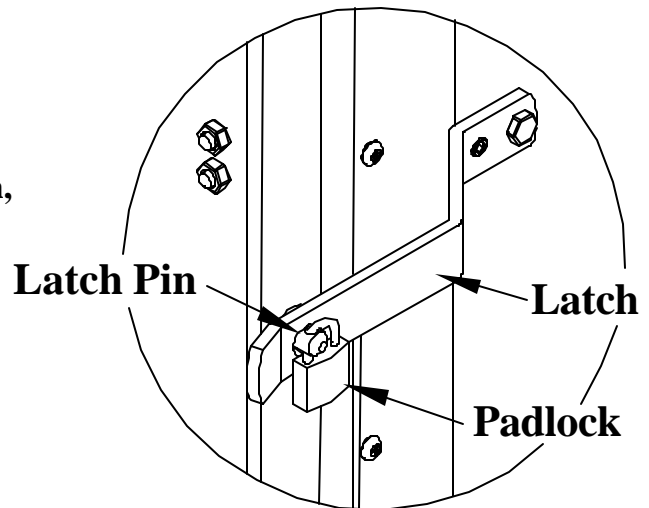
LICENSE PLATE MOUNT

Push the license plate nuts into the square holes in the box cover, then use the $\frac{1}{4}$ "x $\frac{1}{2}$ " stainless steel screws to mount the license plate.



PLATFORM LOCK

With the platform closed and in the latched position, lock the padlock through the hole in the latch pin.



PLATFORM DROP AWAY PIN

Insert the platform drop away pin through the existing $\frac{3}{8}$ " hole in the upright back and then tighten using the supplied $\frac{3}{8}$ " nut.

