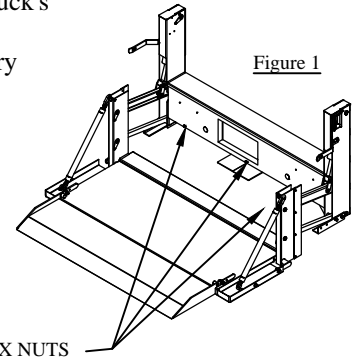


T-67 G2 Light Kit Mounting Instructions

NOTE: Connecting liftgate lights to the truck's trailer tow harness may disable park aid features on trucks with trailer detection capabilities. To avoid this, it may be necessary to connect to the truck's tail light wiring or trailer tow harness using a relay. Tommy Gate offers a relay kit (PN 15863) for these situations. The relay kit minimizes the amount of electrical load on the vehicle's factory wiring. See page 4 for more information.

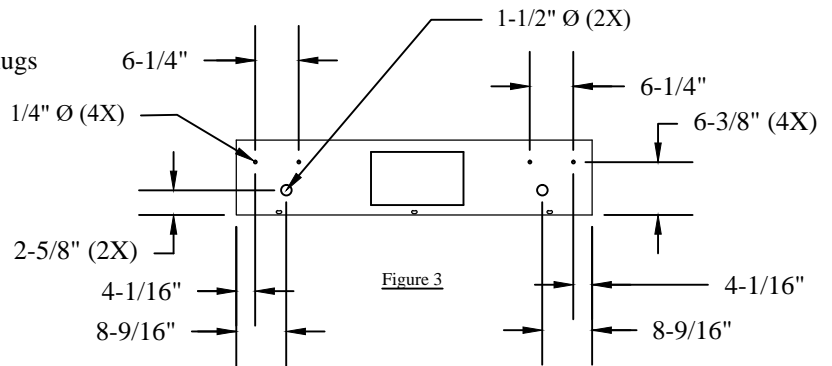
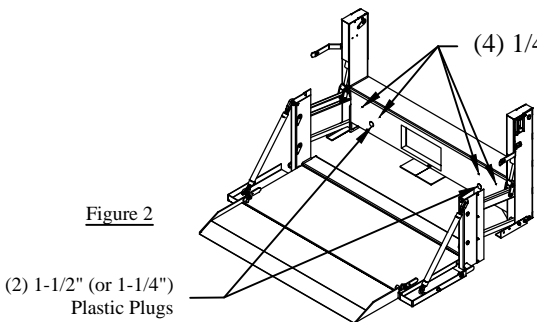


- Step 1. Lower the liftgate to the ground. To avoid a risk of an electrical short, disconnect the power cable from the positive side of the battery or manually trip the circuit breaker.
- Step 2. Remove the mainframe box cover by removing the three 5/16" hex nuts with a 1/2" wrench or socket (Figure 1).

Step 3. Remove two 1-1/4" (or 1-1/2") and four 1/4" plastic plugs from access holes (Figure 2).

NOTE: If the box cover does not have these holes in it, do Step 4.

Step 4. Drill two 1-1/2" and four 1/4" holes at locations indicated (Figure 3).



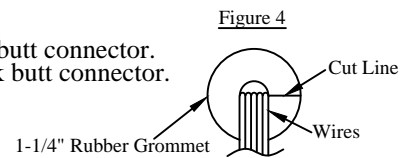
- Step 5. Route the harness through the access holes where plastic plugs were removed in step 3.
- A. Pull two 2-prong light clips and a 3-prong light clip through each 1-1/2" access hole (Figure 2).

NOTE: Make sure that the clip with the yellow wire is on the U.S. driver's side and the clip with the green wire is on the U.S. passenger's side.

B. Locate the two brown wires and the two white wires without any clips on them.

Connect one brown wire to the red wire on the license plate light using a heat shrink butt connector.
Connect one white wire to the black wire on the license plate light using a heat shrink butt connector.

NOTE: Leave harness draped loosely in mainframe until all components are installed.



Step 6. Install 1-1/2" split plastic bushings or 1-1/4" rubber grommet in access holes (Figure 4).

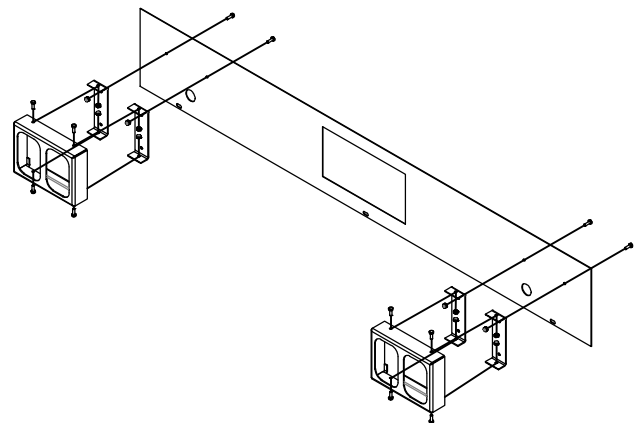
- A. Place bushing or grommet around wires.
B. Push bushing or grommet into the access holes.

Step 7. Assemble the light kit as shown using the supplied 1/4-20x3/4" bolts and 1/4-20 Keps nuts. Do not tighten at this time (Figure 6).

NOTE: Make sure that the warning sticker is facing up before attaching the light kit to liftgate (Figure 5).



NOTE: Before attaching the light kit to liftgate, make sure to route the harness through the back of the light kit. Making sure that no wires are pinched between the kit and the liftgate.



Step 8. Bolt the light kit to the main frame box cover removed in step 2 using the supplied 1/4-20x3/4" bolts and 1/4-20 keps nuts. Tighten all bolts to 9ft-lb (Figure 6).

Figure 6

T-67 G2 Light Kit Mounting Instructions

Step 9. Press rubber grommets into light holes (Figure 7).

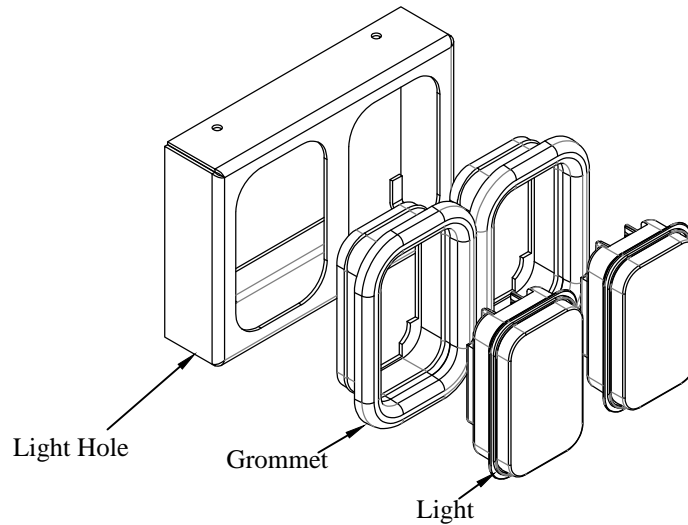


Figure 7

Step 10. Pull harness clips through the inserted grommets or bushings. Connect the clips to lights (Figure 8).

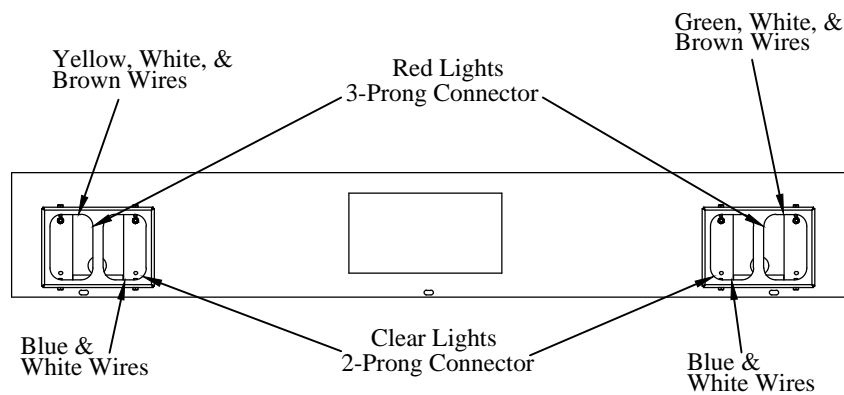


Figure 8

Step 11. Connect the provided wiring harness to the vehicle's existing wiring. Follow the recommended electrical guidelines when connecting the wiring harness to the vehicle.

NOTE: If using a relay kit, install it at this time by following the relay kit's installation instructions.

Step 12. Check for proper operation of lights.

Step 13. If the lights are in correct operation, push lights into installed rubber grommets (Figure 9).

Step 14. Wire tie harness out of the way of moving components.

Step 15. Verify proper operation of lights.

Step 16. Reinstall the box cover on the liftgate and reconnect the liftgate's main power cable.

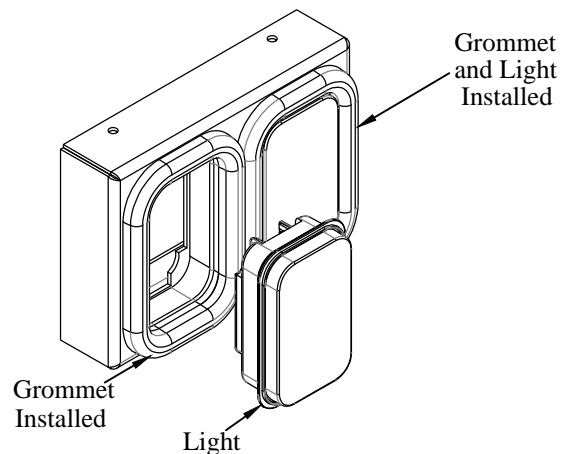


Figure 9

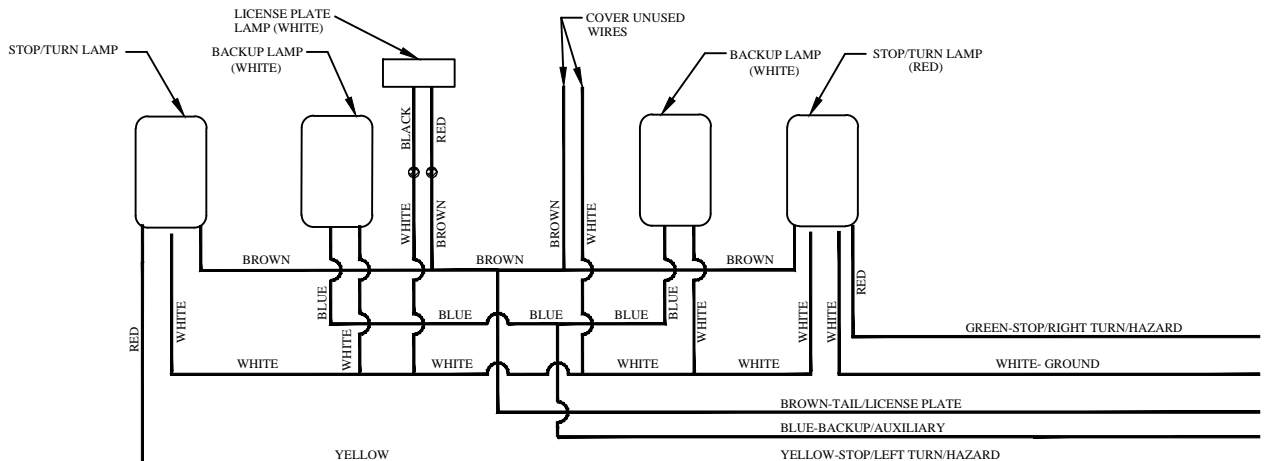
T-67 G2 Light Wiring Diagrams

Electrical Guidelines:

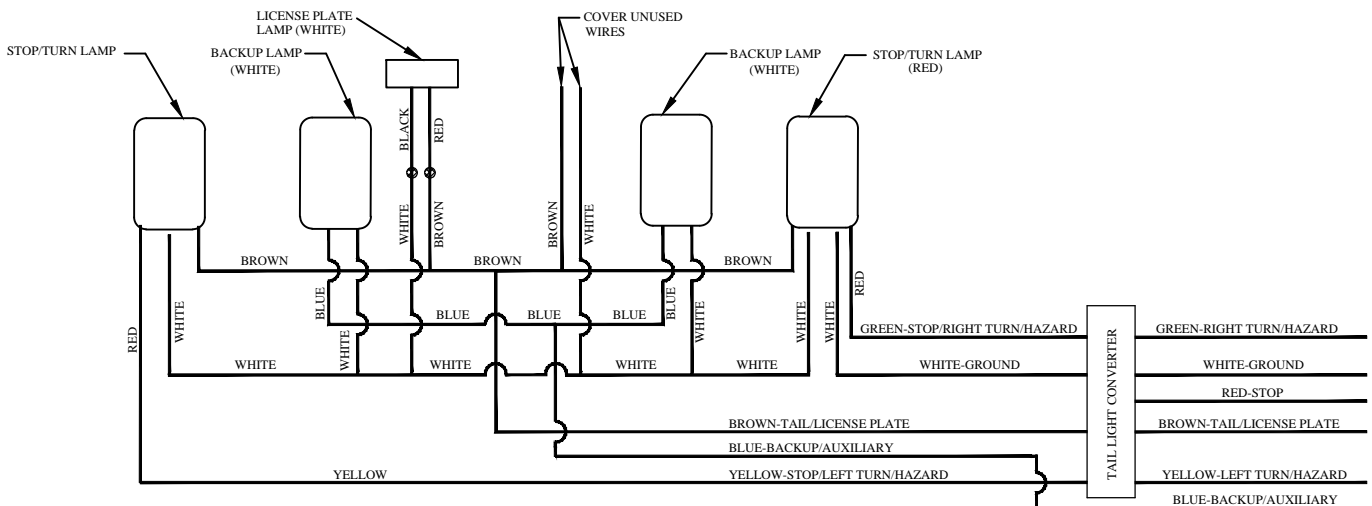
- (1) The installer is responsible for using proper techniques when interfacing with vehicle electrical systems.
- (2) Failure to comply with the OEM guidelines could result in unsafe vehicle operation, failure of OEM wiring, or vehicle fire.
- (3) Never replace oem fuses and/or circuit breakers with fuses or circuit breakers with a higher rating.
- (4) The total circuit current draw should not exceed 80% of the OEM circuit fuse or circuit breaker.
- (5) When possible, use body builder junction blocks, customer access circuits & connectors rather than extending OEM circuits.
- (6) Incorporate relays when extending the OEM electrical system.
- (7) Use appropriate gauge wire for extending circuits. The wire gauge should be capable of supporting the maximum load to which the added circuit will be exposed.
- (8) OEM electrical wire color coding should be maintained when extending circuits.
- (9) When adding circuits, always incorporate fuse or circuit breaker protection.

◆ **NOTE:** Symbol indicates usage of heat shrink butt connector.

COMBINED STOP/TURN FUNCTION



SEPARATED STOP/TURN FUNCTION



T-67, Light Relay

Tommy Gate 12V Light Relay Kit -PN 015863 (Sold Separately)

Connecting liftgate lights to the truck's trailer tow wiring may disable park aid features on trucks with trailer detection capabilities. To avoid this, it may be necessary to connect to the truck's tail light harness or trailer tow harness using a relay. Tommy Gate offers a relay kit (PN 15863) for these situations. This relay kit minimizes the amount of electrical load on the vehicle's factory wiring.

If your truck is listed in the table below and has a trailer detection system, use of a light relay kit (PN 15863) is recommended.

Table 1: Recommended Relay Applications

PICKUP MFG	YEAR	MODEL	AVAILABLE TRAILER DETECTION SYSTEM	RECOMMENDED WIRING LOCATION WITH RELAY
CHEVY	2019-2021	1500	ADVANCED TRAILERING SYSTEM	TAIL LIGHT HARNESS
	2020-2021	2500 / 3500		TAIL LIGHT HARNESS
FORD	2019-2021	RANGER	SMART TRAILER TOW CONNECTOR	TAIL LIGHT HARNESS
	2015-2018	F-150		TRAILER TOW HARNESS
	2019-2021	F-150		TAIL LIGHT HARNESS
	2016-2021	SUPER DUTY SERIES		TAIL LIGHT HARNESS
GMC	2019-2021	1500	PROGRADE TRAILERING SYSTEM	TAIL LIGHT HARNESS
	2020-2021	2500 / 3500		TAIL LIGHT HARNESS

NOTES:

Compatible with both combined (2-wire) and separated (3-wire) stop/turn vehicle systems

Compatible with 12-volt applications only