

LATCH ADJUSTMENT - 1300, 1500, & 1600 G²SERIES

Make sure the liftgate is in the fully raised position.

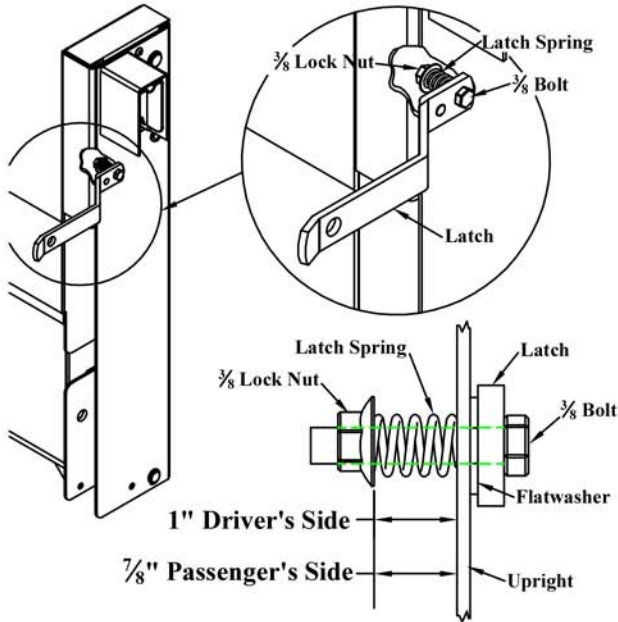
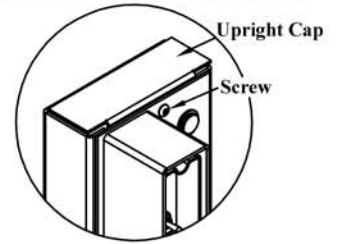
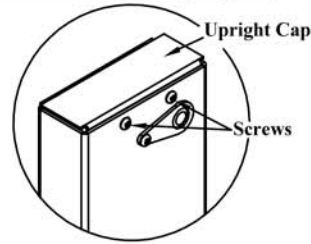
Disconnect the #4 power cable from the positive side of the battery or manually trip the circuit breaker. Remove the padlock from the passenger's side of the platform.

Unlatch the driver's side latch and then the passenger's side latch. Unfold the liftgate platform.

Remove the three Phillips head screws that hold each of the upright caps in place, then remove both upright caps.

Inside of the Uprights

Outside of the Uprights

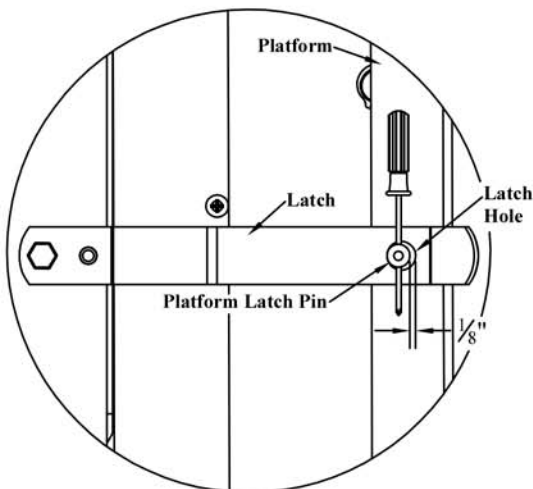
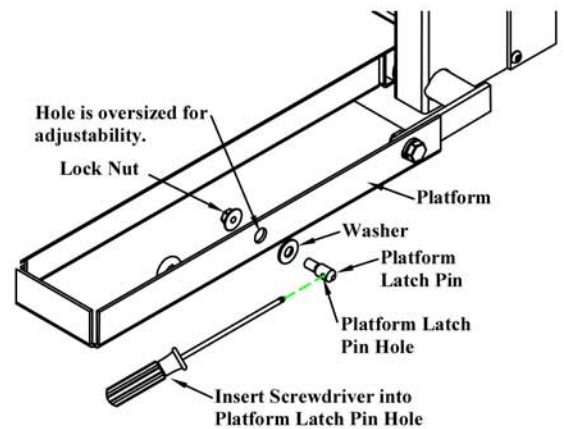


Check the spring tension on the driver's side and passenger's side latch springs as shown.

The driver's side swing away latch spring should measure 1" tall. Tighten or loosen if necessary.

The passenger's side fixed latch spring should measure 7/8" tall. Tighten or loosen if necessary.

Loosen the platform latch pin with a 9/16" wrench and a screw driver. The hole in the platform is oversized to allow the platform latch pin to be adjusted. See exploded view drawing.



Close and latch the platform.

Center the platform latch pin vertically in the latch hole. Push the platform latch pin toward the front of the truck so there is a 1/8" gap. Tighten the platform latch pin with a 9/16" wrench and a screw driver. Tighten to approximately 20 ft-lbs.

Reinstall the upright caps on the uprights.

Reconnect the liftgate's main power cable to the positive side of the battery.

Install the padlock on the passenger's side of the platform.