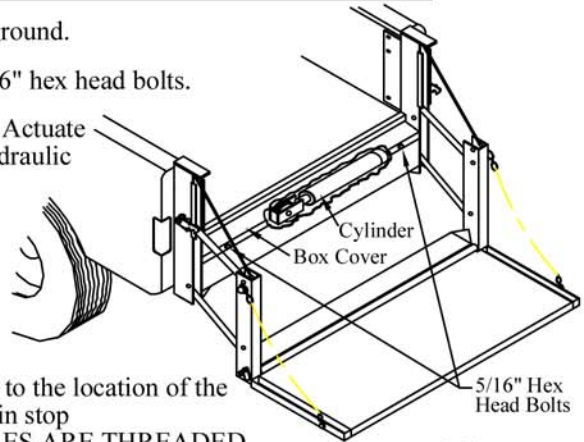


CYLINDER REPLACEMENT- MINI, 500, 1000, 1300, & 1600 CABLE GATE SERIES

- Step 1. Park vehicle on a level surface and lower the liftgate to the ground.
- Step 2. Remove the mainframe box cover by taking out the two 5/16" hex head bolts.

Step 3. Keep body parts out of mainframe during liftgate operation. Actuate the lowering function on the liftgate control and push the hydraulic cylinder in until it is completely collapsed.

Step 4. To avoid risk of a 12 volt electrical short, disconnect the #4 power cable from the positive side of the battery or manually trip the circuit breaker. Remove the hi-pressure hose fitting from the cylinder flow control. Do not remove the hose from the pump fitting.

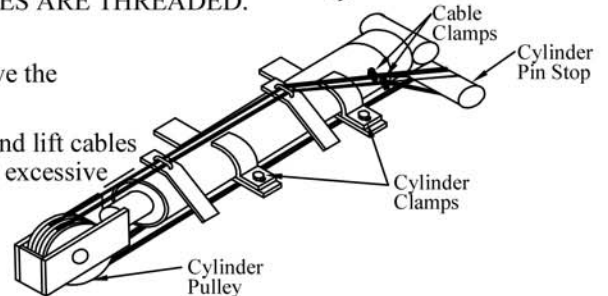


Step 5. Loosen and remove the cable clamps, paying close attention to the location of the cable clamps. Pull the cables out from around the cylinder pin stop and the cylinder pulley. **OBSERVE THE WAY THE CABLES ARE THREADED.**

Step 7. Remove the clamps that hold the cylinder in place and remove the cylinder.

Step 8. With the liftgate cylinder removed, check all pulleys, pins, and lift cables for any excess wear. All pulleys should rotate freely without excessive side to side play. Replace any parts if necessary.

Step 9. Install the new cylinder in the liftgate and reinstall the cylinder clamps.



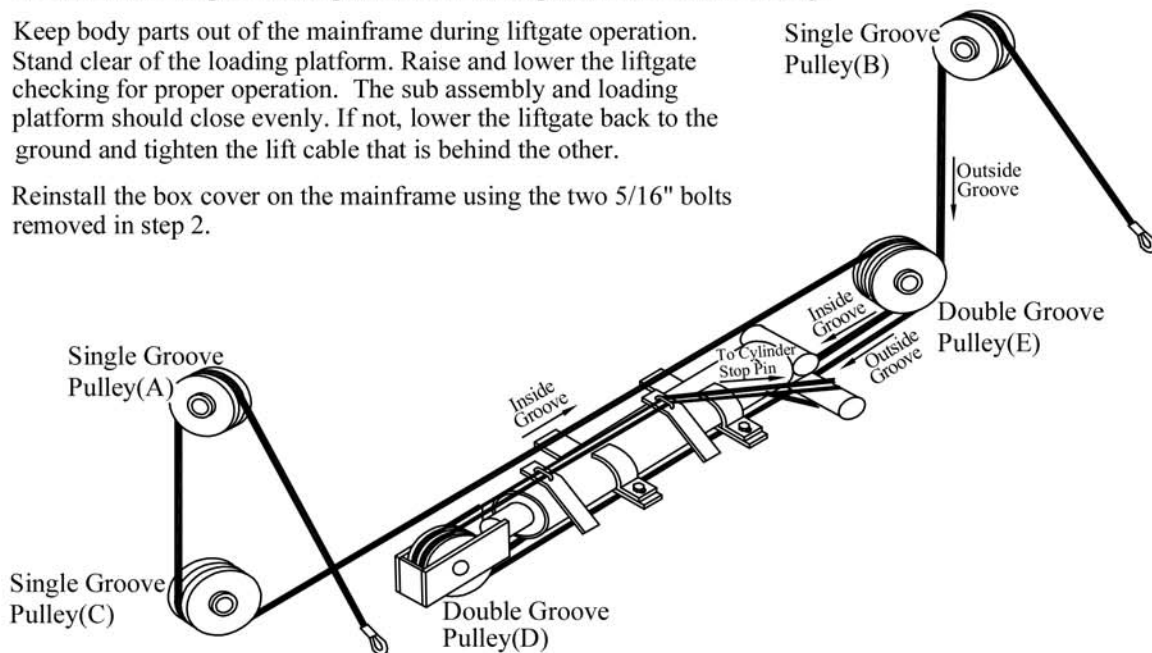
Step 10. Restring the lift cables through the pulley on the cylinder and around the cylinder pin stop. **NOTE:** Pay close attention that the cables are not crossed during this step. See the lift cable routing figure at the bottom of the page

Step 11. Install the cable clamps. Pull the cables tightly through the cable clamps. Position both cable clamps evenly and tighten nuts on clamps. Again check cables for proper routing and clamp location. **NOTE:** Having one cable tighter than the other will cause one side of the subassembly and loading platform to close before the other. The cable clamps must not touch each other.

Step 12. Reconnect the liftgate's main power cable to the positive side of the battery.

Step 13. Keep body parts out of the mainframe during liftgate operation. Stand clear of the loading platform. Raise and lower the liftgate checking for proper operation. The sub assembly and loading platform should close evenly. If not, lower the liftgate back to the ground and tighten the lift cable that is behind the other.

Step 14. Reinstall the box cover on the mainframe using the two 5/16" bolts removed in step 2.



IMPORTANT: USE ONLY CABLES FURNISHED BY TOMMY GATE COMPANY.