

Rear Camera and Sensor Bar Installation Instructions

2017 Nissan Titan



Note: This solution is for specific factory installed rear cameras and sensors on 60" wide pickup body G2 liftgates only. It does not support aftermarket products. For a list of available applications see the Tommy Gate Rear Camera and Sensor Bar Application Chart (DPN 095193).

Note: For vehicles manufactured after May 1, 2018 the image on the rear camera display screen should adhere to the standard in National Highway Traffic Safety Administration rule number FMVSS 111.

!Warning: Relocating the factory installed rear camera may result in the display screen gridlines being inaccurate. Operate with caution and be sure to check surroundings before reversing the vehicle.

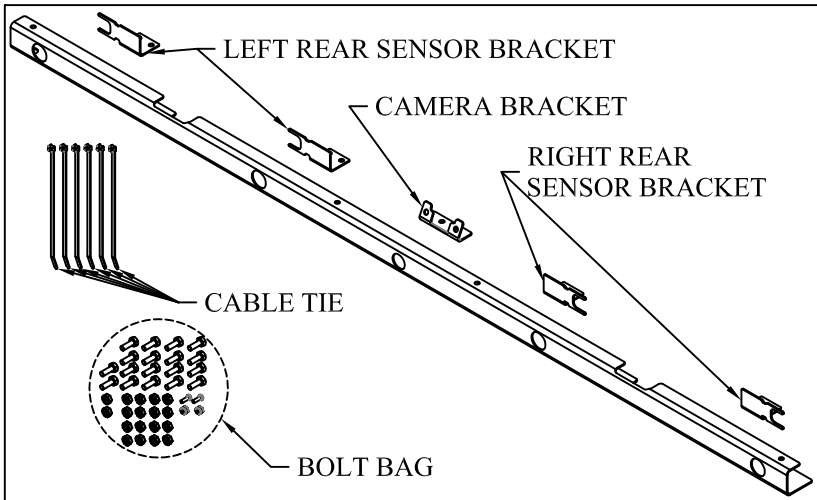


Figure 1: Part Identification

Table 1: Part List

QTY.	PART NO.	DESCRIPTION
1	014351	Rear Camera and Sensor Bar
1	015746	Camera Bracket
2	014402	Right Rear Sensor Bracket
2	014403	Left Rear Sensor Bracket
6	009077	Cable Tie
1	015529	Bolt Bag

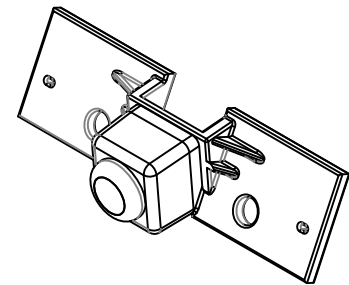


Figure 2: Rear Camera in Factory Mounting Plate

Removing Camera and Sensors

1. **Verify** rear camera and sensor bar kit (Figure 1 and Table 1).
2. **Remove and Save** the rear camera and wire harness from the tailgate. Leave the camera attached to its mounting plate (Figure 2).
3. **Remove and Save** the rear sensors and wire harness from the bumper. Do not reuse the factory mounting bezel (Figure 3), doing so may not position the sensors correctly.

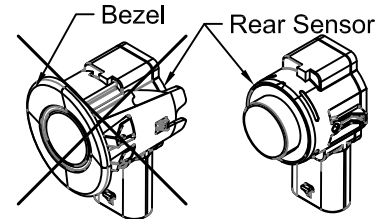


Figure 3: Rear sensor - no bezel.

Installing Rear Camera and Sensors

If mounting holes already exist in the mainframe, skip to step 5.

1. **Position** the rear camera and sensor bar channel underneath the liftgate mainframe. **Align** the rear camera and sensor bar so its vertical face is flush with the mainframe (Figure 4).
2. **Mark** the location of the four mounting holes.
3. **Check** for obstructions in the mainframe before drilling holes.
4. **Drill** 1/4" holes in the mainframe of the liftgate where marked in step 2.

Installing Rear Camera and Sensors

5. **Install** the rear camera and sensor bar underneath the liftgate using the supplied 1/4-20 hex bolts and nuts (Figure 4).
6. **Route** wire harnesses from the vehicle to below the liftgate mainframe.
7. **Plug in** camera and sensors to wire harnesses.
8. **Position** sensors into brackets and fix in position using a cable tie (Figure 5).
Sensor wires face towards the center of the truck.
9. **Place** camera into bracket and secure using the supplied 1/4-20 hex bolts and nuts (Figure 6).
10. **Install** camera and sensor brackets into rear camera and sensor bar using the supplied 1/4-20 hex bolts and nuts (Figure 7).
11. **Secure** wiring harnesses with cable ties.

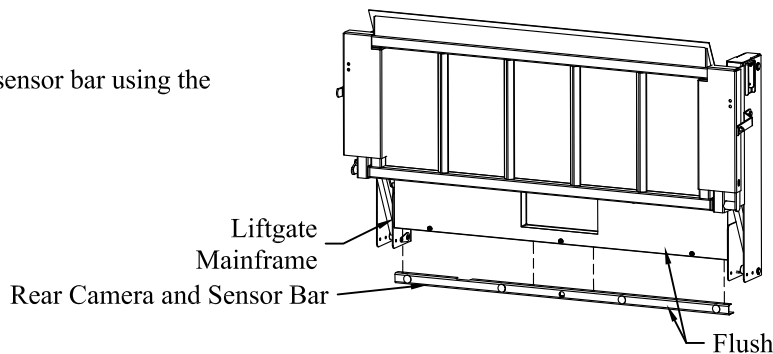


Figure 4: Attaching the Rear Camera and Sensor Bar

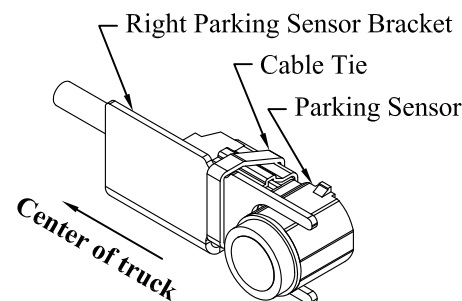


Figure 5: Orientation of sensor in bracket.

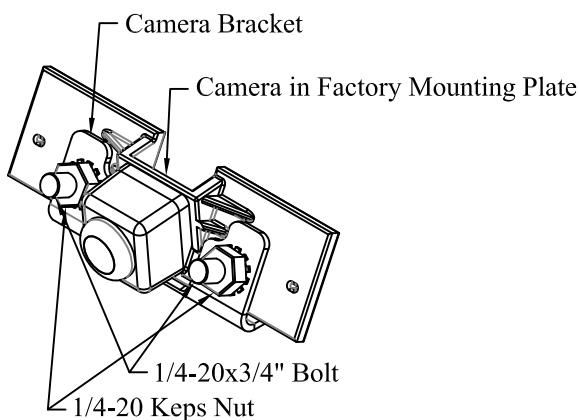


Figure 6: Rear camera in bracket.

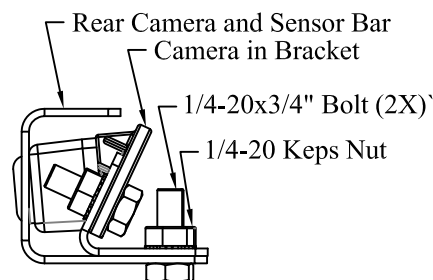


Figure 7: Rear camera in rear camera and sensor bar.