

# Backup Bar Installation Instructions

2017 Nissan Titan



Note: This solution is for specific factory installed backup cameras and sensors on 60" wide pickup body G2 liftgates only. It does not support aftermarket products. For a list of available applications see the Tommy Gate Backup Bar Application Chart (DPN 095193).

Note: The image on the backup camera display screen should adhere to the standard in National Highway Traffic Safety Administration rule number FMVSS 111.

**!Warning:** Relocating the factory installed backup camera may result in the display screen gridlines being inaccurate. Operate with caution and be sure to check surroundings before reversing the vehicle.

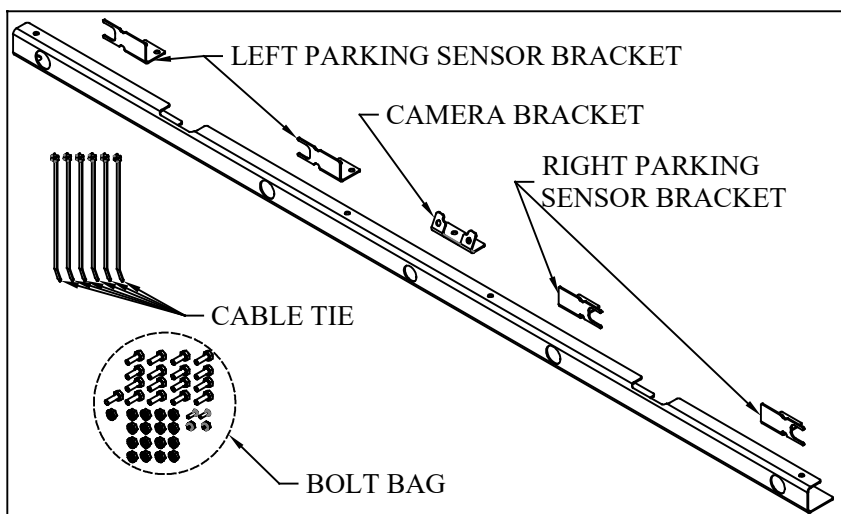


Figure 1: Part Identification

Table 1: Part List

QTY.	PART NO.	DESCRIPTION
1	014351	Backup Bar
1	015746	Camera Bracket
2	014402	Right Parking Sensor Bracket
2	014403	Left Parking Sensor Bracket
6	009077	Cable Tie
1	015529	Bolt Bag

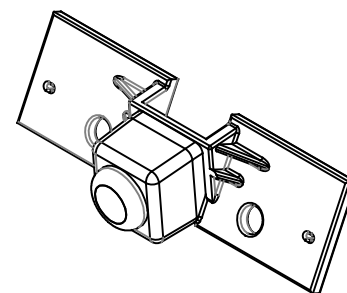


Figure 2: Backup Camera in Factory Mounting Plate

## Removing Camera and Sensors

1. **Verify** backup bar kit (Figure 1 and Table 1).
2. **Remove and save** the backup camera and wire harness from the tailgate. Leave the camera attached to its mounting plate (Figure 2).
3. **Remove and save** the backup sensors and wire harness from the bumper.

## Installing Backup Camera and Sensors

If mounting holes already exist in the mainframe, skip to step 5.

1. **Position** the backup bar channel underneath the liftgate mainframe. Align the bar so its vertical surface is flush with the mainframe's.
2. **Mark** the location of the four mounting holes.
3. **Check** for obstructions in the mainframe before drilling holes.
4. **Drill** 1/4" holes in the mainframe of the liftgate where marked in step 2.
5. **Install** the backup bar underneath the liftgate using the supplied 1/4-20 hex bolts and nuts (Figure 3).
6. **Route** wire harnesses from the vehicle to below the liftgate mainframe.
7. **Plug in** camera and sensors to wire harnesses.
8. **Position** sensors into brackets and fix in position using a cable tie (Figure 4). Sensor wires face towards the center of the truck.

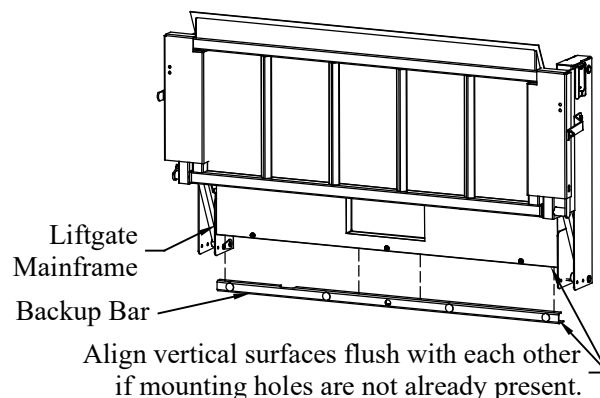


Figure 3: Attaching the Backup Bar

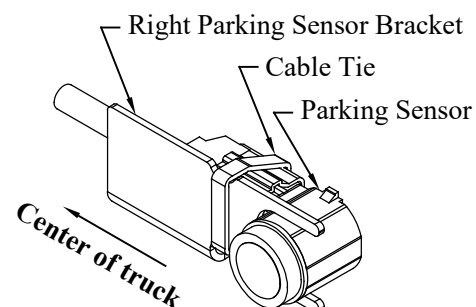


Figure 4: Orientation of sensor in bracket.

## Installing Backup Camera and Sensors

9. **Place** camera into bracket and secure using the supplied 1/4-20 hex bolts and nuts (Figure 5).
10. **Install** camera and sensor brackets into backup bar using the supplied 1/4-20 hex bolts and nuts (Figure 6).
11. **Secure** wiring harnesses with cable ties.

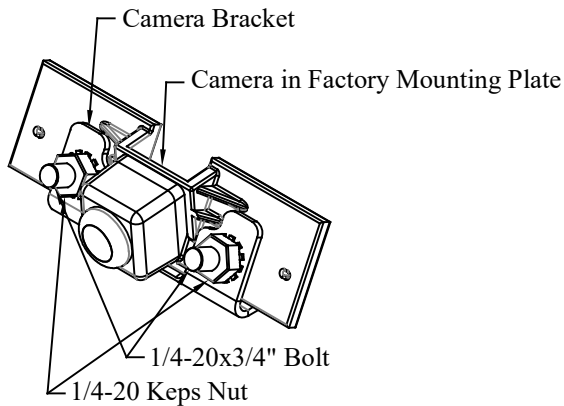


Figure 5: Backup camera in bracket.

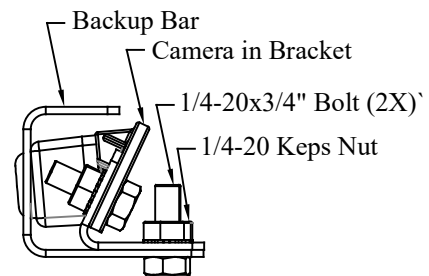


Figure 6: Backup camera in backup bar.