

# Rear Camera and Sensor Bar Installation Instructions

Fullsize Chevy & GMC Trucks-  
1500: 2019-present (Excludes 2019 1500 "LD" and "Limited")



Note: This solution is for specific factory installed rear cameras and sensors on model 60 G2 liftgates only. It does not support aftermarket products. For a list of available applications see the Tommy Gate Rear Camera and Sensor Bar Application Chart (DPN 095193).

Note: For vehicles manufactured after May 1, 2018 the image on the rear camera display screen should adhere to the standard in National Highway Traffic Safety Administration rule number FMVSS 111.

**!Warning:** Relocating the factory installed rear camera may result in the display screen gridlines being inaccurate. Operate with caution and be sure to check surroundings before reversing the vehicle.

**!Warning:** Relocating the factory installed rear sensors may result in the obstacle warnings being inaccurate. Operate with caution and be sure to check surroundings before reversing the vehicle.

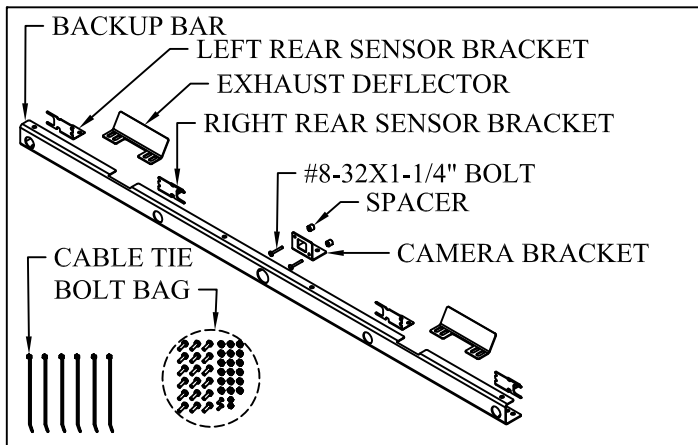


Figure 1: Part Identification.

Table 1: Part List.

QTY.	PART NO.	DESCRIPTION
1	015907	Rear Camera and Sensor Bar
1	015868	Camera Bracket
2	014873	Left Rear Sensor Bracket
2	014871	Right Rear Sensor Bracket
2	015799	Exhaust Deflectors
6	009077	Cable Tie
1	015529	Bolt Bag
2	015893	#8-32X1-1/4" Bolt
1	015869	#8 7/16X3/8 Spacer

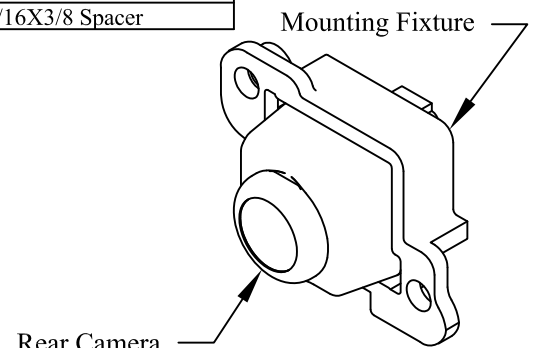


Figure 2: Rear camera in factory mounting fixture.

## Removing Camera and Sensors

- 1. Verify** rear camera and sensor bar kit contents (Figure 1 and Table 1).
- 2. Remove** and **Save** the rear camera and wire harness from the tailgate. Leave the camera attached to its mounting fixture (Figure 2).
- 3. Remove** and **Save** the rear sensors and wire harness from the bumper. Do not reuse the factory mounting bezel (Figure 3), doing so may not position the sensors correctly.

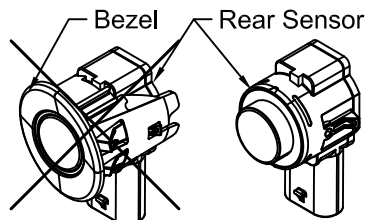


Figure 3: Rear sensor - no bezel.

## Installing Rear Camera and Sensors

If mounting holes already exist in the mainframe, skip to step 5.

1. **Position** the rear camera and sensor bar underneath the liftgate mainframe.  
**Align** the bar so its vertical face is flush with the mainframe box cover (Figure 4).
2. **Mark** the location of the four mounting holes.
3. **Check** for obstructions in the mainframe before drilling holes.
4. **Drill** 1/4" holes in the mainframe of the liftgate where marked in step 2.
5. **Install** the rear camera and sensor bar underneath the liftgate using the supplied 1/4-20 hex bolts and nuts (Figure 4).
6. **Route** wire harnesses from the vehicle to below the liftgate mainframe.
7. **Plug in** camera and sensors to wire harnesses.
8. **Position** sensors into brackets and fix in position using a cable tie (Figure 5).  
**Match** the orientation of sensors to Figure 6.
9. **Place** camera into bracket and fix in position using the provided #8-32 bolts, spacers and nylon-insert lock nuts (Figure 7).
10. **Install** camera and sensor brackets, as well as the exhaust deflectors, into rear camera and sensor bar using the supplied 1/4-20 hex bolts and nuts (Figures 6, 8, 9).

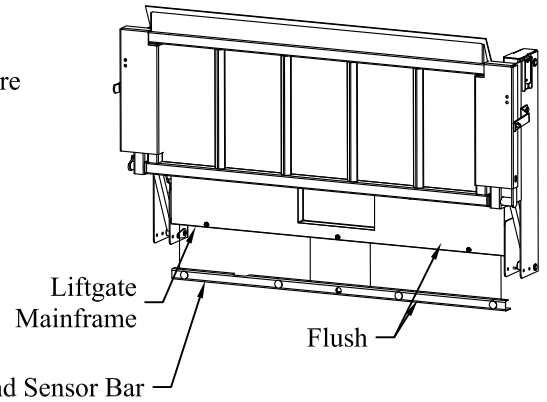


Figure 4: Rear camera and sensor bar position.

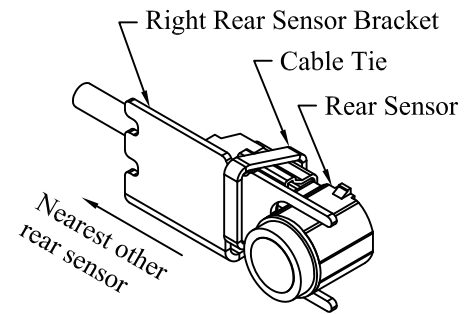


Figure 5: Orientation of sensor in bracket.

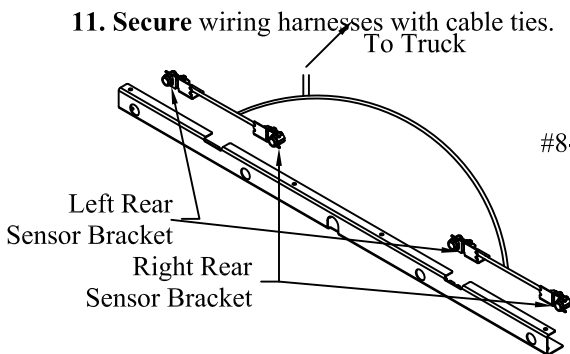


Figure 6: Orientation of sensors in rear camera and sensor bar.

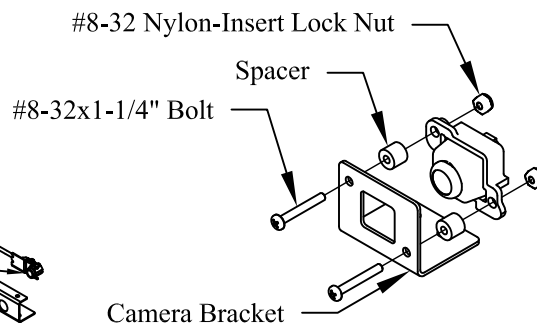


Figure 7: Installing Rear Camera in Bracket

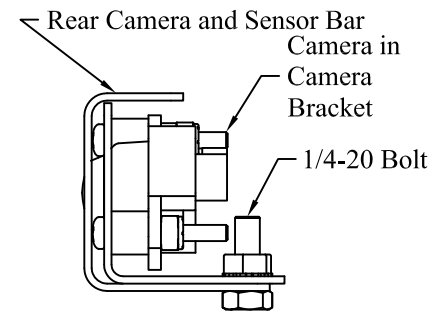


Figure 8: Rear camera in rear camera and sensor bar.

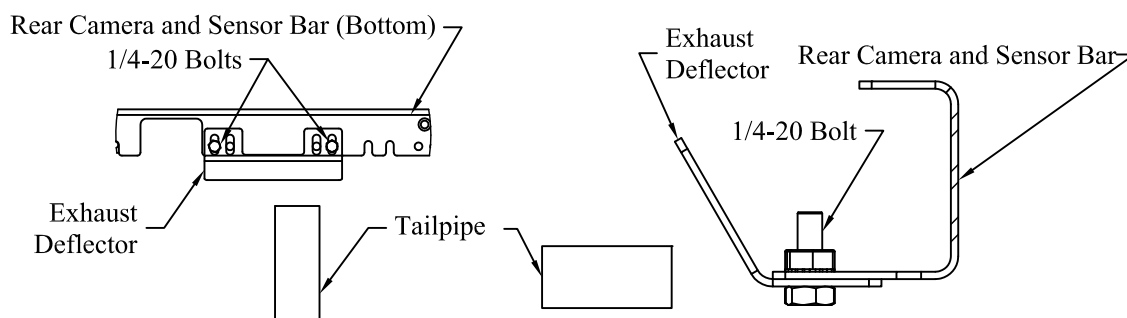


Figure 9: Exhaust deflector. Bottom View (Left) and Side View (Right)