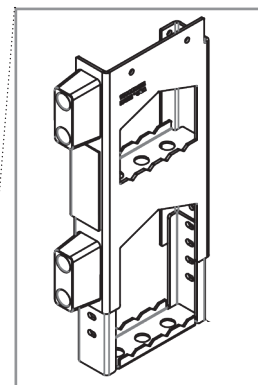


Model	D	Bed Heights*	Lifting Capacity	Gate Weight**	Platform Loading Width	Platform Loading Depth	Overall Platform Width	Front Taper	Back Taper	C ¹	C ²	Overall Platform Depth	Base Platform Depth	Flipper Platform Depth
TKL-78-25-EA33		33-47	2500	511	78	33	78 3/4	4	4	41	17	16		
TKL-78-25-EA37		35-47	2500	519	78	37	78 3/4	4	4	45	19 1/2	17 1/2		
TKL-78-25-EA41		37-47	2500	534	78	41	78 3/4	4	4	49	21 1/2	19 1/2		

* Minimum bed heights (laden). Maximum bed heights (unladen)
** Must add bed extension for total gate weight and shipping weight.

Bed Extensions	Steel Construction	Bed Extension Width	Side Step	Bed Height	Bed Extension Weight	Bumper Bar Weight (optional)
94" (fits 96" body size)	3/16	94-1/2	FX*	33-39	218	46
94" (fits 96" body size)	3/16	94-1/2	ADJ*	40-47	257	46
100" (fits 102" body size)	3/16	100-1/2	FX*	33-39	283	46
100" (fits 102" body size)	3/16	100-1/2	ADJ*	40-47	341	46

Adjustable Side Step (ADJ)



* 18-inch, fixed side steps (FX) are only available on bed heights 33 - 39-inch.
25"-31", adjustable side steps (ADJ) are only available on bed heights 40 - 47-inch.

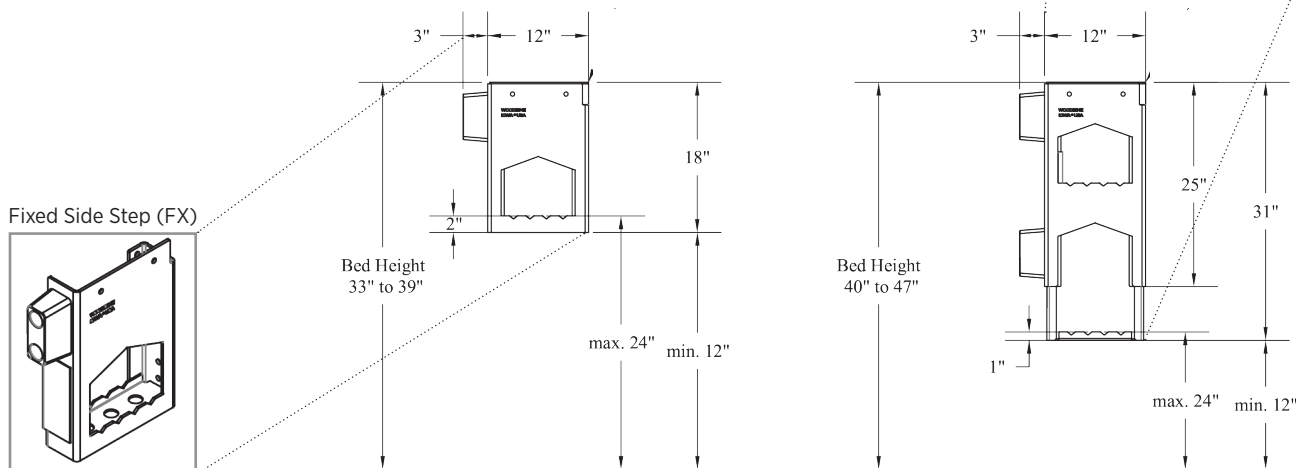


Figure 11: Side Step Options

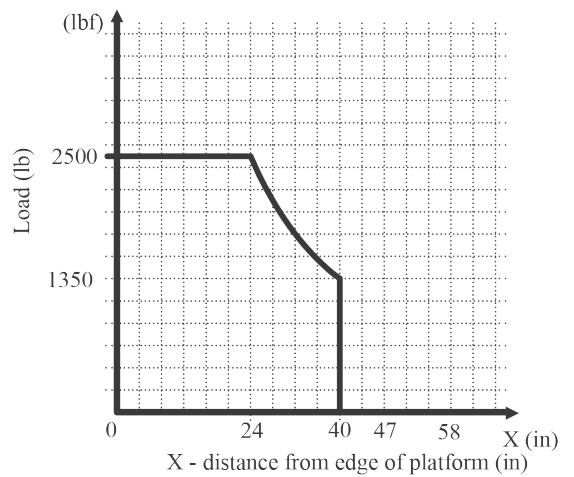
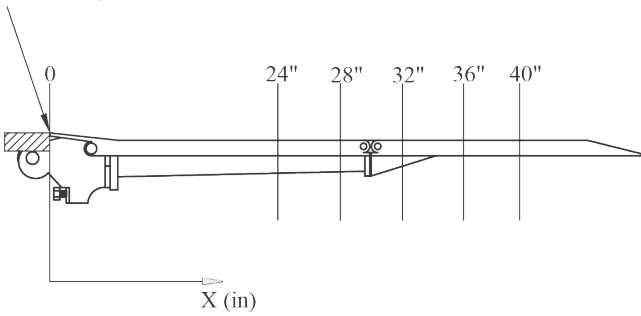
DETAILED SPECIFICATIONS

Figure 2: TKL Load Capacity

MODEL		TKL-78-25EA33	TKL-78-25EA37	TKL-78-25EA41
PLATFORM LENGTH	in	41	45	49
WEIGHT	lb	540	550	560
CAPACITY	lb	2500		
CURRENT DRAW	amp	150		
FULL LOAD RAISE SPEED	in/s	3		
FULL LOAD LOWER SPEED	in/s	5		
HYDRAULIC FLUID TANK CAPACITY	gal	1.5		
MOTOR RATED HORSEPOWER	hp	2.1		
MAX. RELIEF VALVE SETTING	psi	2538		

		LOAD CAPACITY AT DISTANCE (X) FROM THE EDGE OF PLATFORM (inches)								
(X)		0" ----- 24"	26"	28"	30"	32"	34"	36"	38"	40"
TKL 25	LOAD CAPACITY (lbs)	2500	2360	2130	1910	1740	1630	1500	1400	1350

EDGE OF PLATFORM



DETAILED SPECIFICATIONS

Figure 3: Liftgate Dimensions

TKL 2500 Lbs												
D- BED HEIGHT	E	F	G	G'	Lc		Q	M	N	T	P	W
					max	min						
33	21.0	12	43.25	45.25	37.0	32.0	6.0	26.7	32.9	5.9	5.2	2.7
34	21.0	13	43.75	45.75								
35	21.0	14	44.25	46.25								
36	21.0	15	43.75	45.75								
37	21.0	16	43.25	45.25								
38	21.0	17	42.75	44.75								
39	21.0	18	42.25	44.25								
40	21.0	19	41.50	43.50								
41	21.0	20	40.75	42.75								
42	21.0	21	39.25	41.25								
43	21.5	21.5	39.25	41.25								
44	22.5	21.5	39.25	41.25								
45	23.5	21.5	39.25	41.25								
46	24.5	21.5	39.25	41.25								
47	25.5	21.5	39.25	41.25								

All dimensions in inches

G: distance between the platform and the end of the bracket

G': distance between the platform and the end of the power unit

H : distance between the platform and the back of the trunion, (H = G - 5")

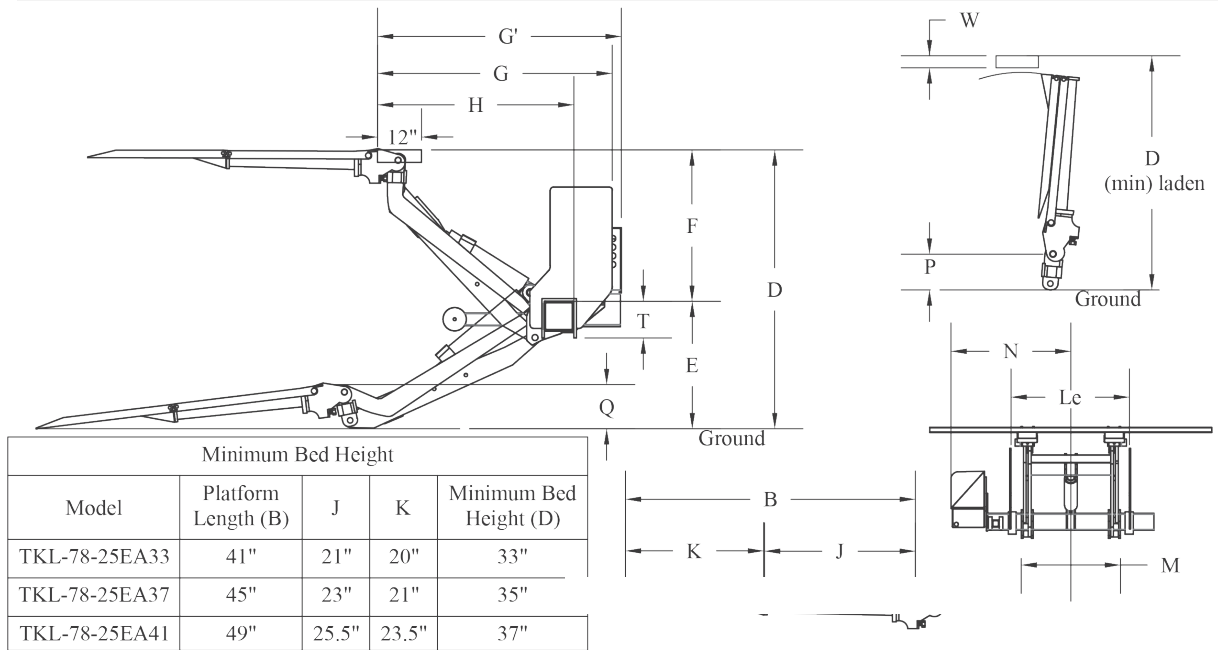


Figure 3: Liftgate General Dimensions

DETAILED SPECIFICATIONS