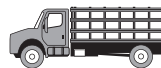


TOMMY GATE®

RAILGATE SERIES

FLATBED, STAKE, & VAN BODY



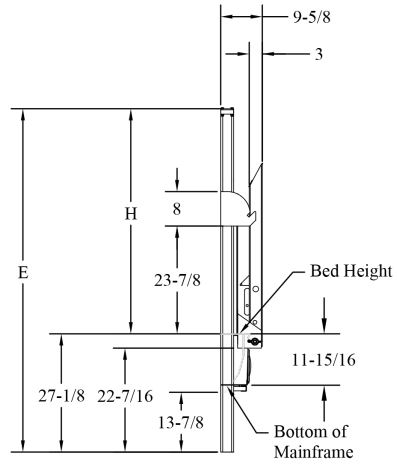
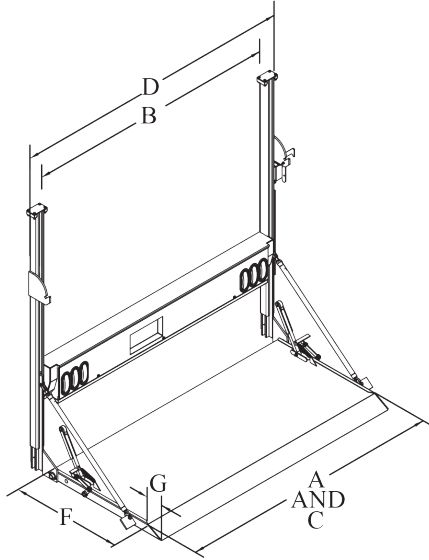
			A	B	C	D ¹	E	F	G	H
	Maximum Truck Bed Height	Lifting Capacity	Platform Loading Width	Clear Opening Between Uprights	Overall Platform Width	Overall Gate Width	Upright Height	Platform Loading Depth	Taper	Height of Upright Above Mainframe
73-XX TP37	48	1600 & 2000 lb. Capacities	71	70-3/4	73	76-3/4	70	37	6	42-7/8
73-XX TP42	48		71	70-3/4	73	76-3/4	70	42	6	42-7/8
73-XX EA55	48		71-1/2	70-3/4	73	76-3/4	70	55	12	42-7/8
73-20 GBR	48		25	70-3/4	73	76-3/4	70	30	12	42-7/8
A73-XX EA55 ²	48		71-1/2	70-3/4	73	80-1/4	70	55	12	42-3/4
79-XX TP37	48		77	76-3/4	79	82-3/4	70	37	6	42-7/8
79-XX TP42	48		77	76-3/4	79	82-3/4	70	42	6	42-7/8
79-XX EA55	48		77-1/2	76-3/4	79	82-3/4	70	55	12	42-7/8
79-20 GBR	48		31	76-3/4	79	82-3/4	70	30	12	42-7/8
A79-XX EA55 ²	48		77-1/2	76-3/4	79	86-1/4	70	55	12	42-3/4
85-XX TP37	55		83	82-3/4	85	88-3/4	70	37	6	42-7/8
85-XX TP42	55		83	82-3/4	85	88-3/4	70	42	6	42-7/8
85-XX EA55	55		83-1/2	82-3/4	85	88-3/4	70	55	12	42-7/8
85-20 GBR	55		37	82-3/4	85	88-3/4	70	30	12	42-7/8
A85-XX EA55 ²	55		83-1/2	82-3/4	85	92-1/4	70	55	12	42-3/4
89-XX TP37	55		87	86-3/4	89	92-3/4	70	37	6	42-7/8
89-XX TP42	55		87	86-3/4	89	92-3/4	70	42	6	42-7/8
89-XX EA55	55		87-1/2	86-3/4	89	92-3/4	70	55	12	42-7/8
89-20 GBR	55		41	86-3/4	89	92-3/4	70	30	12	42-7/8
A89-XX EA55 ²	55		87-1/2	86-3/4	89	96-1/4	70	55	12	42-3/4
95-XX TP37	55		93	92-3/4	95	98-3/4	70	37	6	42-7/8
95-XX TP42	55		93	92-3/4	95	98-3/4	70	42	6	42-7/8
95-XX EA55	55		93-1/2	92-3/4	95	98-3/4	70	55	12	42-7/8
95-20 GBR	55		47	92-3/4	95	98-3/4	70	30	12	42-7/8
A95-XX EA55 ²	55		93-1/2	92-3/4	95	102-1/4	70	55	12	42-3/4

NOTE: XX in the model number column denotes either capacity model number. Capacity does not affect physical dimensions.

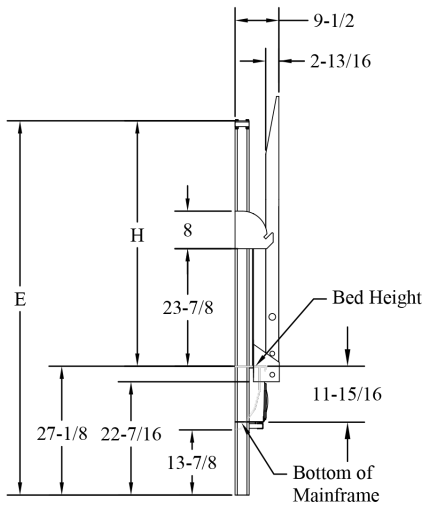
1. Dimension is outside of upright flanges and does not include the control, latch plates or latch assembly.

2. See fig. 1 for aluminum frame and aluminum platform Railgate Mounting Dimensions.

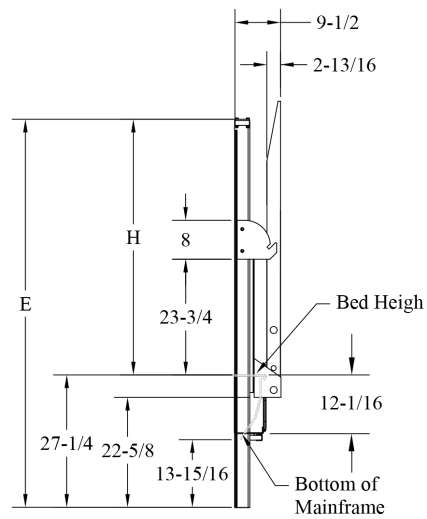
STANDARD RAILGATE DIMENSION DIAGRAMS (1600/2000)



For Steel Frame / Steel Platform Railgates



For Steel Frame / Aluminum Platform Railgates

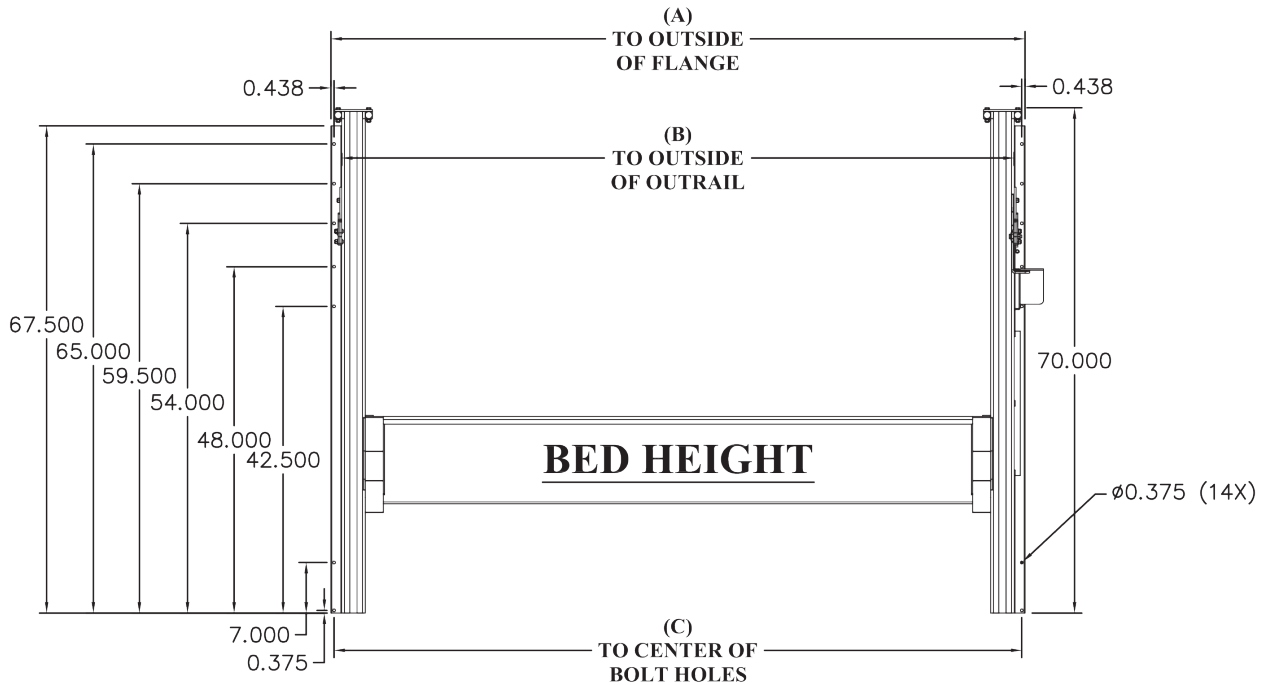


For Aluminum Frame / Aluminum Platform Railgates

TOMMY GATE®

ALL-ALUMINUM STANDARD RAILGATE DIMENSION DIAGRAM (1600/2000)

MODEL	(A)	(B)	(C)
73	80- $\frac{1}{4}$ "	77- $\frac{1}{4}$ "	79- $\frac{3}{8}$ "
79	86- $\frac{1}{4}$ "	83- $\frac{1}{4}$ "	85- $\frac{3}{8}$ "
85	92- $\frac{1}{4}$ "	89- $\frac{1}{4}$ "	91- $\frac{3}{8}$ "
89	96- $\frac{1}{4}$ "	93- $\frac{1}{4}$ "	95- $\frac{3}{8}$ "
95	102- $\frac{1}{4}$ "	99- $\frac{1}{4}$ "	101- $\frac{3}{8}$ "

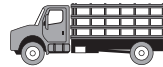


(Fig. 1)

TOMMY GATE®

RAILGATE SERIES

FLATBED, STAKE, & VAN BODY



ABOVE BED OPTION DIMENSIONS

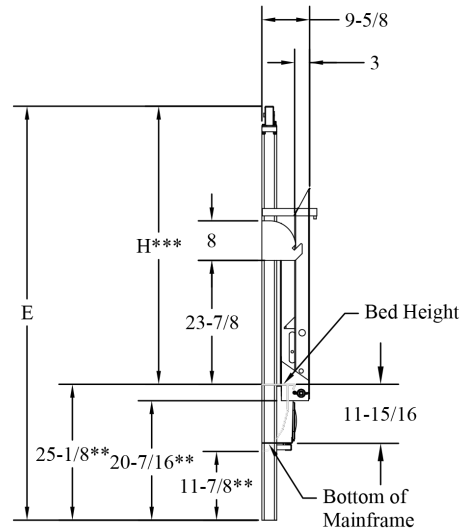
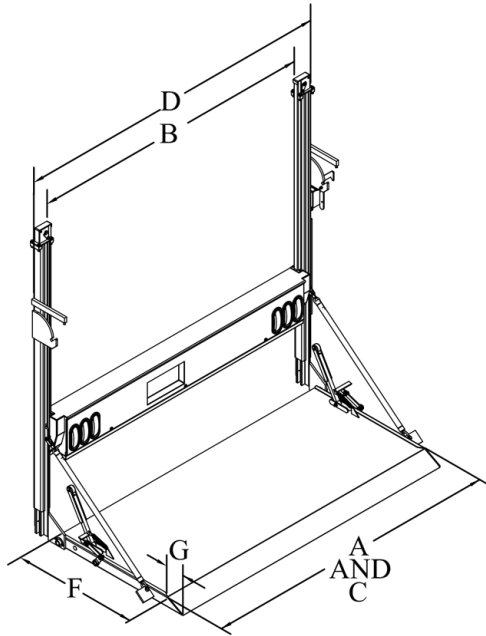
			A	B	C	D'	E	F	G	H
	Maximum Truck Bed Height	Lifting Capacity	Platform Loading Width	Clear Opening Between Uprights	Overall Platform Width	Overall Gate Width	Upright Height	Platform Loading Depth	Taper	Height of Upright Above Mainframe
73-XX TP37	48	1600 & 2000 lb. Capacities	71	68-3/4	73	76-3/4	83-11/16	37	6	58-9/16
73-XX TP42	48		71	68-3/4	73	76-3/4	83-11/16	42	6	58-9/16
73-XX EA55	48		71-1/2	68-3/4	73	76-3/4	83-11/16	55	12	58-9/16
73-20 GBR	48		25	68-3/4	73	76-3/4	83-11/16	30	12	58-9/16
A73-XX EA55²	48		71-1/2	68-3/4	73	80-1/4	83-11/16	55	12	58-1/2
79-XX TP37	48		77	74-3/4	79	82-3/4	83-11/16	37	6	58-9/16
79-XX TP42	48		77	74-3/4	79	82-3/4	83-11/16	42	6	58-9/16
79-XX EA55	48		77-1/2	74-3/4	79	82-3/4	83-11/16	55	12	58-9/16
79-20 GBR	48		31	74-3/4	79	82-3/4	83-11/16	30	12	58-9/16
A79-XX EA55²	48		77-1/2	74-3/4	79	86-1/4	83-11/16	55	12	58-1/2
85-XX TP37	55		83	80-3/4	85	88-3/4	83-11/16	37	6	58-9/16
85-XX TP42	55		83	80-3/4	85	88-3/4	83-11/16	42	6	58-9/16
85-XX EA55	55		83-1/2	80-3/4	85	88-3/4	83-11/16	55	12	58-9/16
85-20 GBR	55		37	80-3/4	85	88-3/4	83-11/16	30	12	58-9/16
A85-XX EA55²	55		83-1/2	80-3/4	85	92-1/4	83-11/16	55	12	58-1/2
89-XX TP37	55		87	84-3/4	89	92-3/4	83-11/16	37	6	58-9/16
89-XX TP42	55		87	84-3/4	89	92-3/4	83-11/16	42	6	58-9/16
89-XX EA55	55		87-1/2	84-3/4	89	92-3/4	83-11/16	55	12	58-9/16
89-20 GBR	55		41	84-3/4	89	92-3/4	83-11/16	30	12	58-9/16
A89-XX EA55²	55		87-1/2	84-3/4	89	96-1/4	83-11/16	55	12	58-1/2
95-XX TP37	55		93	90-3/4	95	98-3/4	83-11/16	37	6	58-9/16
95-XX TP42	55		93	90-3/4	95	98-3/4	83-11/16	42	6	58-9/16
95-XX EA55	55		93-1/2	90-3/4	95	98-3/4	83-11/16	55	12	58-9/16
95-20 GBR	55		47	90-3/4	95	98-3/4	83-11/16	30	12	58-9/16
A95-XX EA55²	55		93-1/2	90-3/4	95	102-1/4	83-11/16	55	12	58-1/2

NOTE: XX in the model number column denotes either capacity model number. Capacity does not affect physical dimensions.

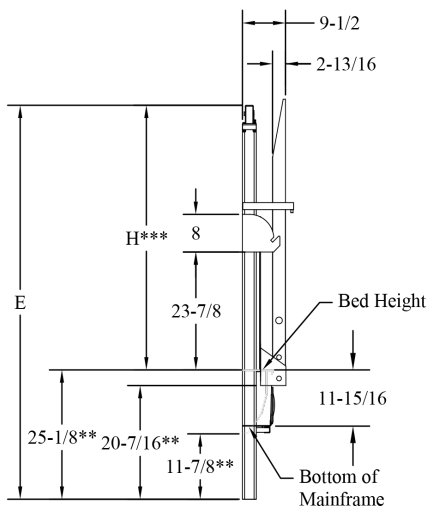
1. Dimension is outside of upright flanges and does not include the control, latch plates or latch assembly.

2. See fig. 2 for aluminum frame and aluminum platform Railgate Mounting Dimensions.

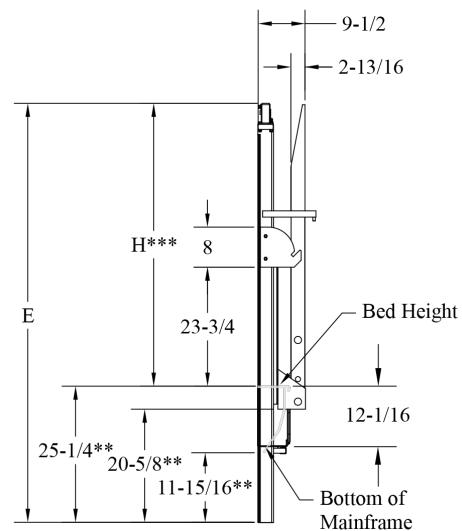
ABOVE BED OPTION DIMENSION DIAGRAMS



For Steel Frame / Steel Platform Railgates



For Steel Frame / Aluminum Platform Railgates



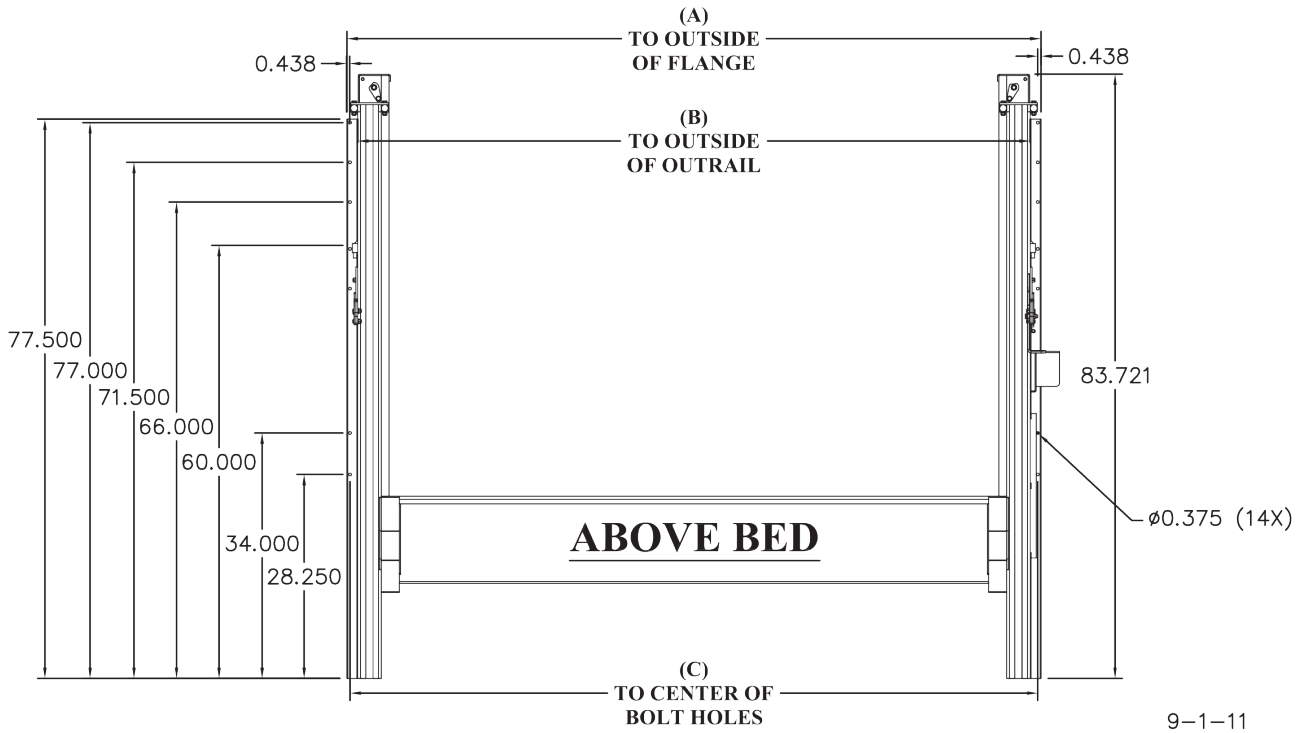
For Aluminum Frame / Aluminum Platform Railgates

** Dimension based on 40" bed height. Add to dimension, bed height difference above 40"

*** Dimension based on 40" bed height. Subtract from dimension, bed height difference above 40"

ALL-ALUMINUM ABOVE BED OPTION DIMENSION DIAGRAM

MODEL	(A)	(B)	(C)
73	80- $\frac{1}{4}$ "	77- $\frac{1}{4}$ "	79- $\frac{3}{8}$ "
79	86- $\frac{1}{4}$ "	83- $\frac{1}{4}$ "	85- $\frac{3}{8}$ "
85	92- $\frac{1}{4}$ "	89- $\frac{1}{4}$ "	91- $\frac{3}{8}$ "
89	96- $\frac{1}{4}$ "	93- $\frac{1}{4}$ "	95- $\frac{3}{8}$ "
95	102- $\frac{1}{4}$ "	99- $\frac{1}{4}$ "	101- $\frac{3}{8}$ "



(Fig. 2)