

V2 Platform Tilt Adjustment Instructions

These instructions will aid you in adjusting the platform tilt on a Tommy Gate V2 series liftgate.

Adjusting the Platform Tilt

1. **Park** the vehicle on level ground.
2. **Lower** the liftgate to the ground. Make sure the liftgate clears the bumper.
The platform taper end should touch the ground.
The platform taper end and the hinge end should touch the ground at about the same time.

Note: If the platform tilt is properly adjusted, no adjustment is needed. Otherwise proceed to the next step.

3. **Raise** and partially **Fold** the platform to allow access to platform set screw jam nuts.
Support the platform.
Power off the control.
4. **Loosen** platform set screw jam nuts.
5. **Lower** the platform to the ground.
6. **Adjust** the platform set screws until the platform taper end just rests on the ground (Figure 1).
Turn the set screws in to raise the taper end, and out to lower the taper end.
7. **Raise** and partially **Fold** the platform to allow access to platform set screw jam nuts.
Support the platform.
Power off the control.
8. **Tighten** platform set screw jam nuts.

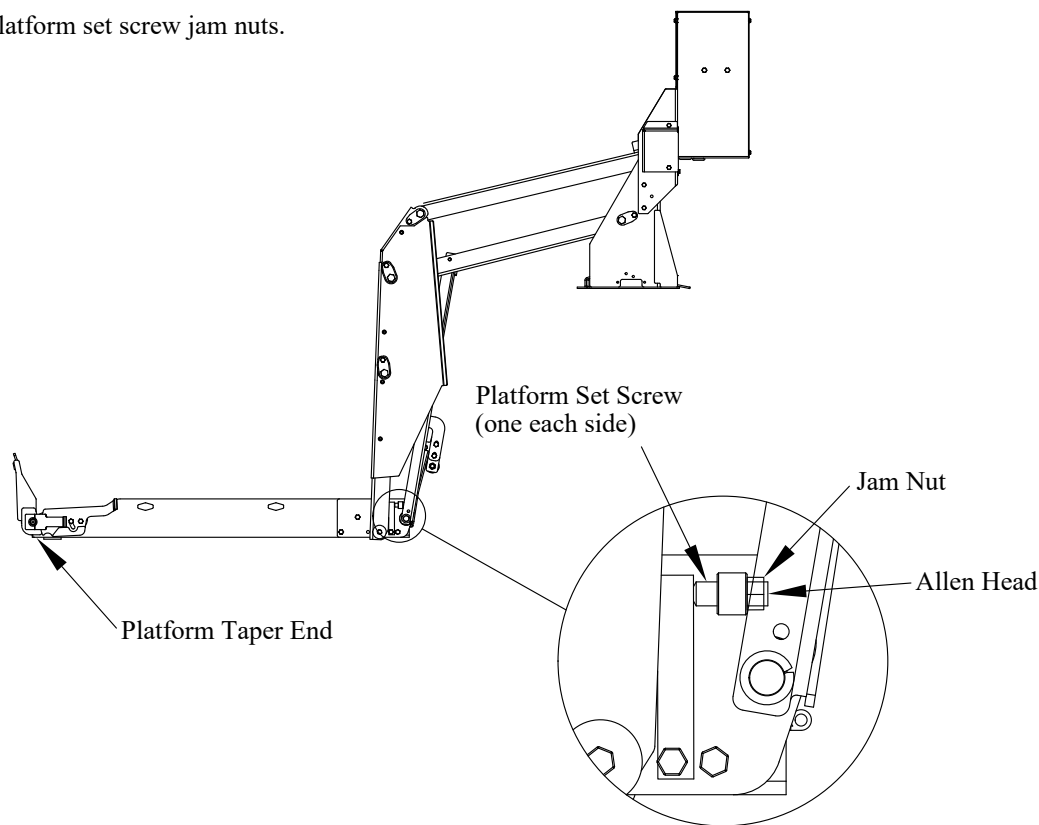


Figure 1: Platform Hinge End.