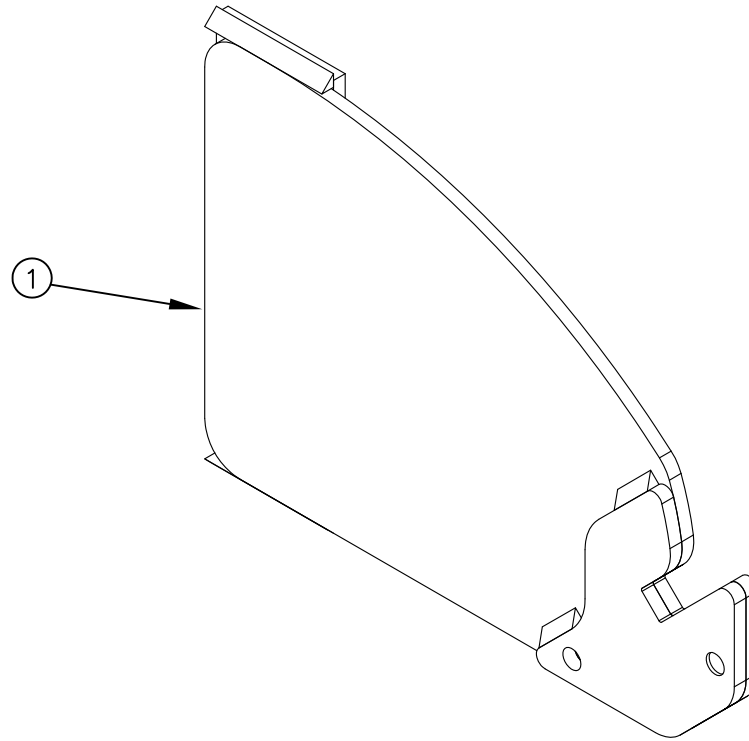
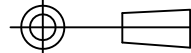


ITEM NO.	QTY.	PART NO.	DESCRIPTION
1	1	002880	LATCH PLATE WELDMENT- STEEL LEFT RF



REV.	DATE	CHANGE RECORD	BY	APPVD	ECN	DRAFT	ANGULAR	SALES CATEGORY	PRODUCT LINE	SCALE	FIN. WT.	PART NO.
B	3/10/09	REPLACED ALL WITH PN 2880	JCB	JCB		2'	±1°	45	8950	1:3	7.41	2868

THIRD ANGLE PROJECTION



DECIMAL	2PLC	3PLC
MACHINE SAW, DRILL	.030	.015
SHEAR, PUNCH FORM	.060	.030
TORCH, WELDING ROUGH CAST	.090	.060

FILENAME:

SYMBOLY PER ANSI Y14.5

DRAWN BY.
JCB

DRAWN/DATE
9/24/08

APPVD/DATE
3/10/09

NOTES:

TITLE
REPLACEMENT STEEL R-FOLD LATCH PLATE-LEFT

WOODBINE MFG. CO.
BUS BROWN DRIVE
WOODBINE, IOWA 51579

712-647-2050



THE INFORMATION HERE IS CONFIDENTIAL AND MUST NOT BE USED IN ANYWAY DETRIMENTAL TO THE INTEREST OF WOODBINE MFG.