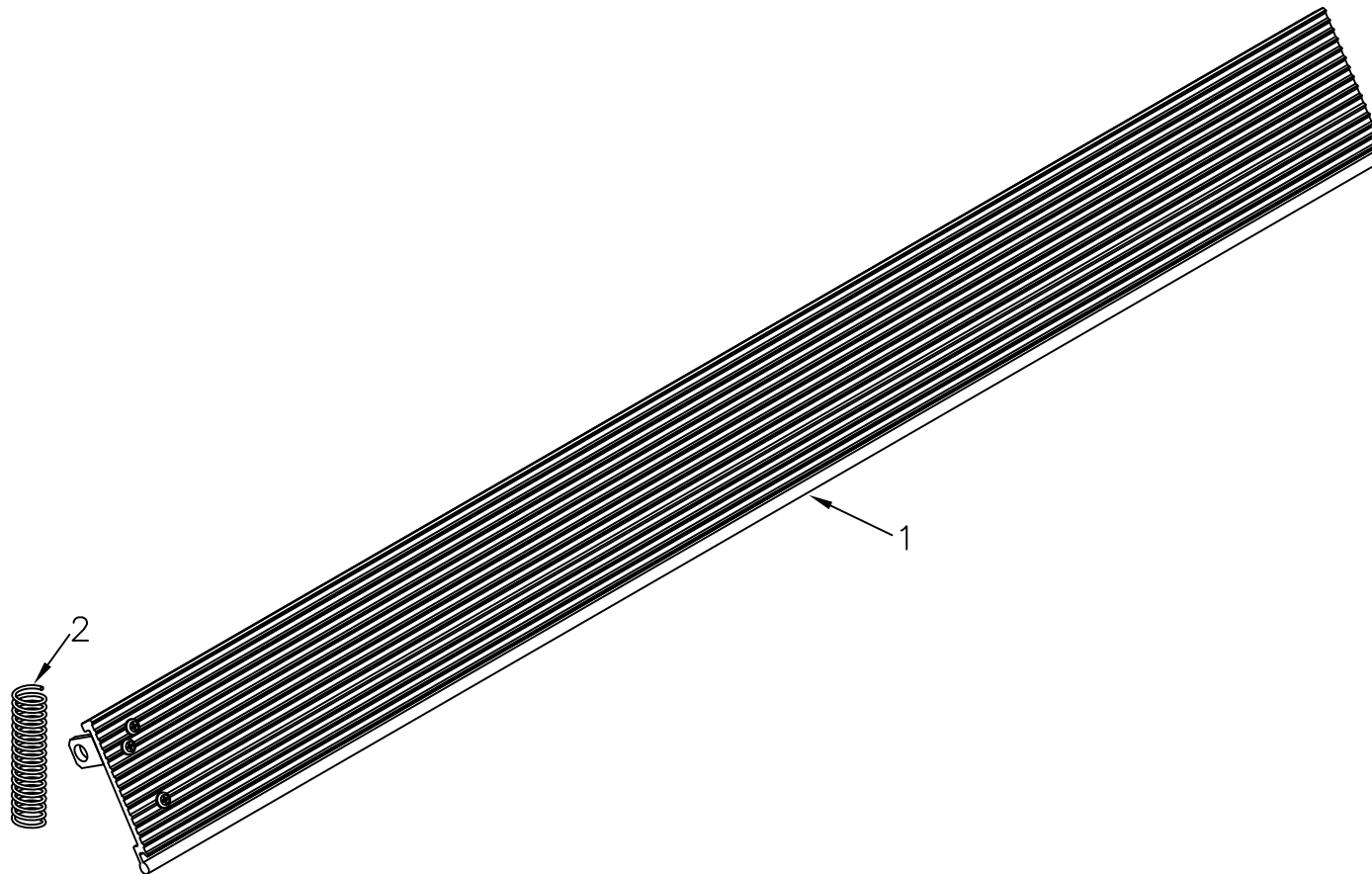


ITEM NO.	QTY.	PART NO.	DESCRIPTION
1	1	008426	ALUM. CARTSTOP TOP ASSEMBLY(L)89
2	1	003828	PLATFORM SPRING FOR RAIL CARTSTOP



				THIRD ANGLE PROJECTION		FILENAME:		WOODBINE MFG. CO.															
						SYMBOLY PER ANSI Y14.5		BUS BROWN DRIVE															
				<table border="1"> <thead> <tr> <th>DECIMAL</th> <th>2PLC</th> <th>3PLC</th> </tr> </thead> <tbody> <tr> <td>MACHINE SAW, DRILL</td> <td>.030</td> <td>.015</td> </tr> <tr> <td>SHEAR, PUNCH FORM</td> <td>.060</td> <td>.030</td> </tr> <tr> <td>TORCH, WELDING ROUGH CAST</td> <td>.090</td> <td>.060</td> </tr> </tbody> </table>		DECIMAL	2PLC	3PLC	MACHINE SAW, DRILL	.030	.015	SHEAR, PUNCH FORM	.060	.030	TORCH, WELDING ROUGH CAST	.090	.060	DRAWN BY. DJR		NOTES:		WOODBINE, IOWA 51579	
DECIMAL	2PLC	3PLC																					
MACHINE SAW, DRILL	.030	.015																					
SHEAR, PUNCH FORM	.060	.030																					
TORCH, WELDING ROUGH CAST	.090	.060																					
						DRAWN/DATE 8/4/03		712-647-2050															
						APPVD/DATE																	
				DRAFT 2"		SALES CATEGORY 45		THE INFORMATION HERE IS CONFIDENTIAL AND MUST NOT BE USED IN ANYWAY DETRIMENTAL TO THE INTEREST OF WOODBINE MFG.															
CHANGE RECORD				ANGULAR ±1"		PRODUCT LINE 1905		TITLE REPLACEMENT LEFT CARTSTOP ASSEMBLY(89) w/SPRING															
REV.	DATE	BY	APPVD	ECN	SCALE N		FIN. WT.		PART NO. 8392														