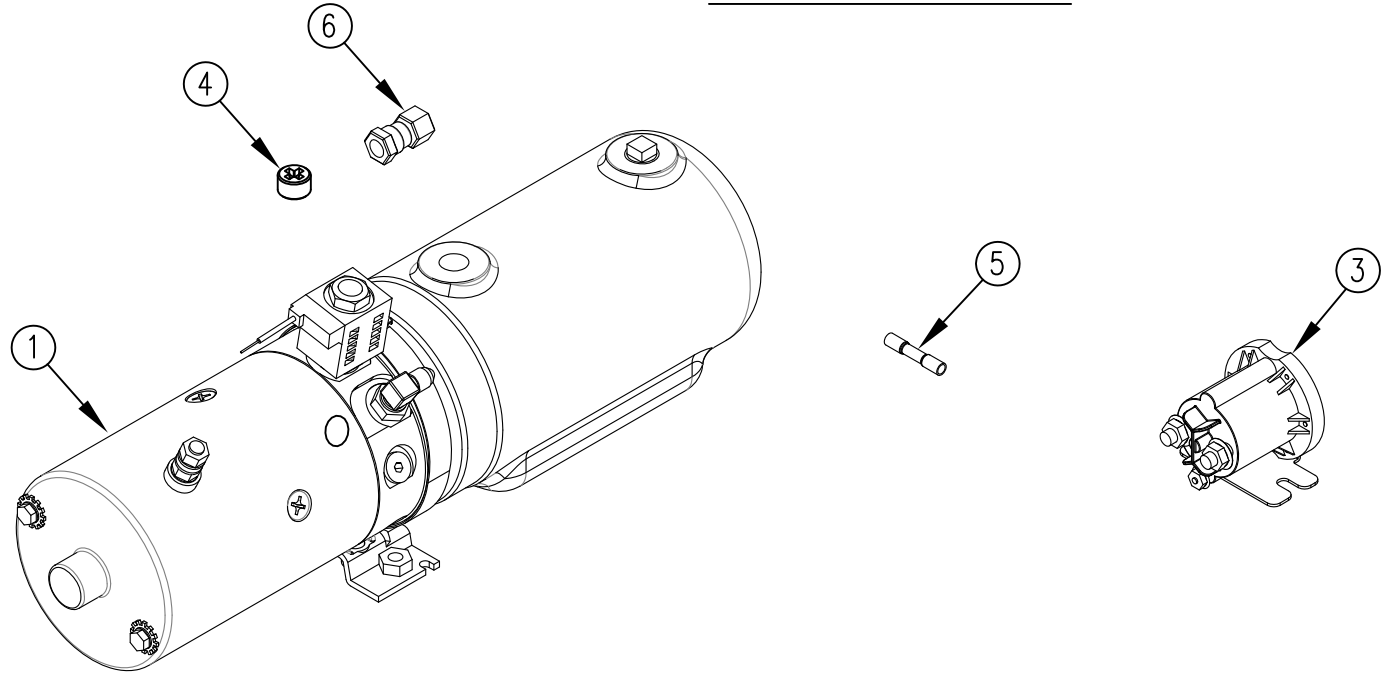


ITEM NO.	QTY.	PART NO.	DESCRIPTION
1	1	004243	RAIL (N) P&M 2QT (73)
2	0.475 GAL	009034	HYDRAULIC OIL
3	1	004321*	MONARCH 3-POST SOLENOID
4	1	004403*	VENT PLUG
5	1	009089	16-14 HEAT SHRINK BUTT CONNECTOR
6	1	012967	#4 FJIC TO #4 FEMALE NPT ADAPTOR (6506-4-4)
7	1	095048	REPLACEMENT POWER UNIT INSTALLATION INSTR.

* ACCOUNTING DO NOT USE FOR B.O.M.



REV.	DATE	CHANGE RECORD	BY	APPVD	ECN	DRAFT 2"	ANGULAR ±1°	SALES CATEGORY	PRODUCT LINE	SCALE 1:4	FIN. WT.	PART NO. 4486			
D	11/14/13	ADDED (1) 012967	GDB		1004										
C	2/14/12	CHANGED PRESSURE FROM 3200PSI TO 3500PSI	JCB		546										
B	7/23/10	CHANGED QTY OF 9034 FROM 0.375 TO 0.475; ADDED (1) 9089 AND (1) 95048	JCB		310										
A	8/16/07	DRAWN IN AUTOCAD	JCB	KGJ											
						THIRD ANGLE PROJECTION		FILENAME:		WOODBINE MFG. CO. BUS BROWN DRIVE WOODBINE, IOWA 51579 712-647-2050 					
								SYMBOLY PER ANSI Y14.5					NOTES: _____ _____ _____ _____		
						DECIMAL 2PLC 3PLC MACHINE SAW, DRILL .030 .015		DRAWN BY. JCB							
						SHEAR, PUNCH FORM .060 .030		DRAWN/DATE 8/16/07							
						TORCH, WELDING ROUGH CAST .090 .060		APPVD/DATE							
								TITLE		M319 REPLACEMENT P&M (3500psi)2QT. 2000# RAILGATE(73) (N)					
								APPVD/DATE							

THE INFORMATION HERE IS CONFIDENTIAL AND MUST NOT BE USED IN ANYWAY DETRIMENTAL TO THE INTEREST OF WOODBINE MFG.