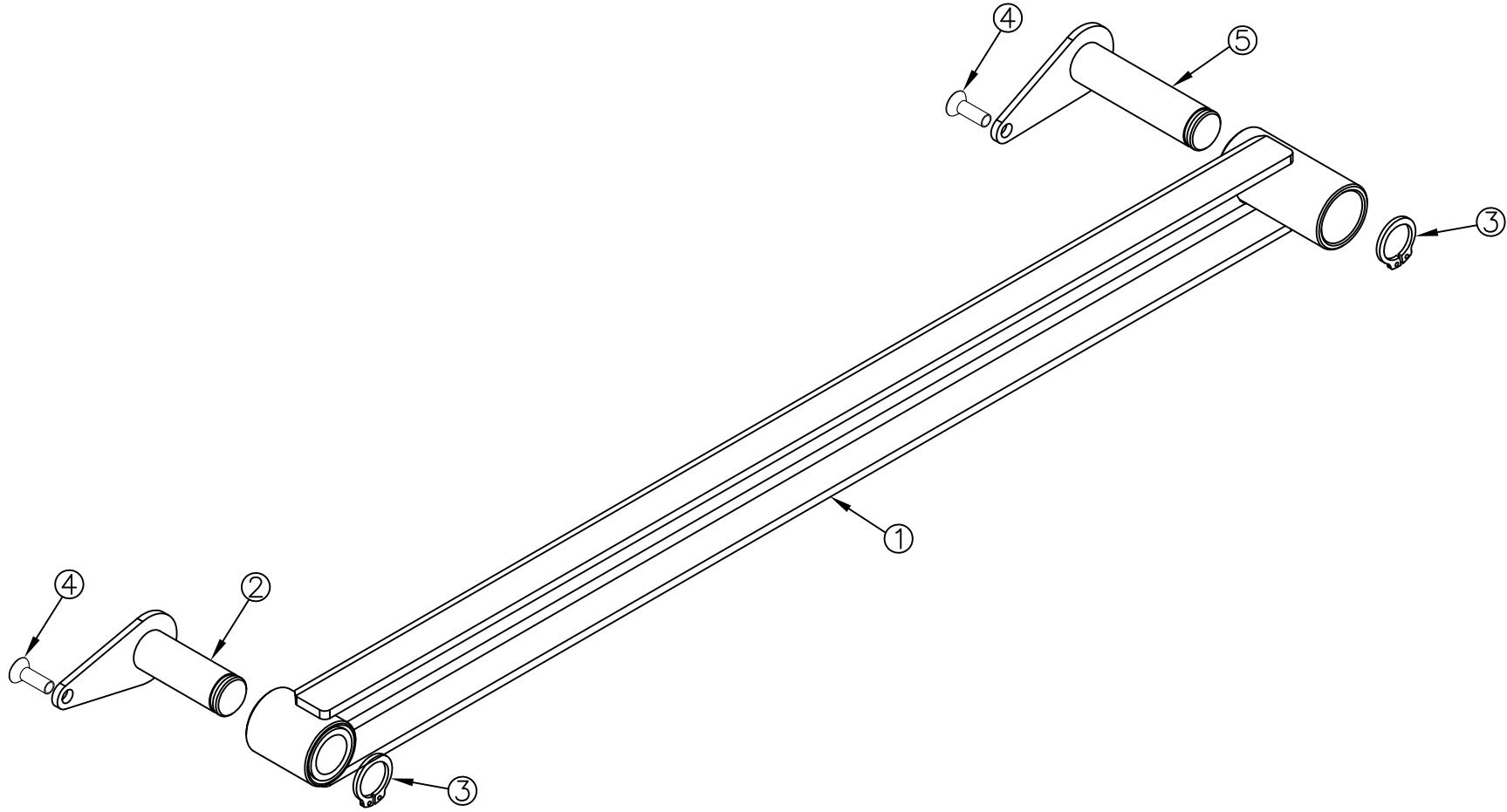

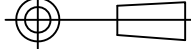


ITEM NO.	QTY.	PART NO.	DESCRIPTION
1	1	014323	G2 FORMED LOWER ARM w/BUSHINGS(42)
2	1	002879	G2 .75"DIA.x2.109"PIN w/KEEPER 42/50
3	2	002025	3/4" EXTERNAL SNAP RING(G2) PLATED
4	2	000756	1/4-20x3/4" PH FH TYP F SS
5	1	002050	G2 .75"DIA.x3.047"PIN w/KEEPER(42)



REV.	DATE	CHANGE RECORD	BY	APPVD	ECN	DRAFT	ANGULAR	SALES CATEGORY	PRODUCT LINE	SCALE	FIN. WT.	PART NO.								
B	5/18/22	14323 WAS 10676	AAS		2755	2'	±1°													
A	6/3/11	RELEASED TO PRODUCTION	JCB		449															
						THIRD ANGLE PROJECTION	FILENAME:		WOODBINE MFG. CO. BUS BROWN DRIVE WOODBINE, IOWA 51579  THE INFORMATION HERE IS CONFIDENTIAL AND MUST NOT BE USED IN ANYWAY DETRIMENTAL TO THE INTEREST OF WOODBINE MFG.											
							SYMBOLY PER ANSI Y14.5													
						<table border="1"> <thead> <tr> <th>DECIMAL</th> <th>2PLC</th> <th>3PLC</th> </tr> </thead> <tbody> <tr> <td>MACHINE SAW, DRILL</td> <td>.030</td> <td>.015</td> </tr> <tr> <td>SHEAR, PUNCH FORM</td> <td>.060</td> <td>.030</td> </tr> <tr> <td>TORCH, WELDING ROUGH CAST</td> <td>.090</td> <td>.060</td> </tr> </tbody> </table>	DECIMAL	2PLC					3PLC	MACHINE SAW, DRILL	.030	.015	SHEAR, PUNCH FORM	.060	.030	TORCH, WELDING ROUGH CAST
DECIMAL	2PLC	3PLC																		
MACHINE SAW, DRILL	.030	.015																		
SHEAR, PUNCH FORM	.060	.030																		
TORCH, WELDING ROUGH CAST	.090	.060																		
						DRAWN/DATE: 6/3/11		APPVD/DATE		TITLE: G2-42 REPLACEMENT LOWER ARM w/PINS & BUSHINGS										
								1:3		11305										