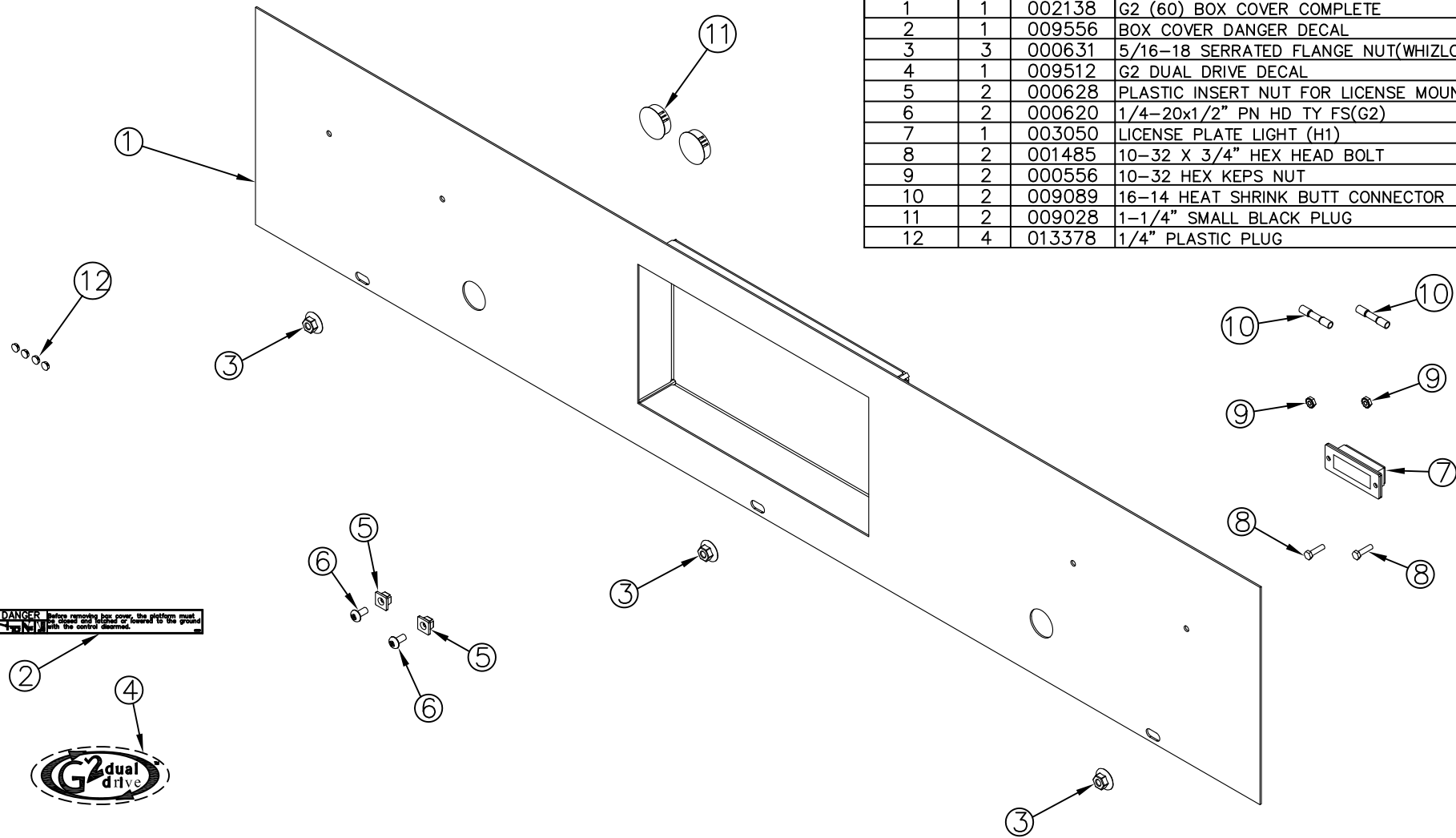

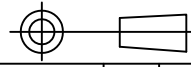


ITEM NO.	QTY.	PART NO.	DESCRIPTION
1	1	002138	G2 (60) BOX COVER COMPLETE
2	1	009556	BOX COVER DANGER DECAL
3	3	000631	5/16-18 SERRATED FLANGE NUT(WHIZLOK)
4	1	009512	G2 DUAL DRIVE DECAL
5	2	000628	PLASTIC INSERT NUT FOR LICENSE MOUNT
6	2	000620	1/4-20x1/2" PN HD TY FS(G2)
7	1	003050	LICENSE PLATE LIGHT (H1)
8	2	001485	10-32 X 3/4" HEX HEAD BOLT
9	2	000556	10-32 HEX KEPS NUT
10	2	009089	16-14 HEAT SHRINK BUTT CONNECTOR
11	2	009028	1-1/4" SMALL BLACK PLUG
12	4	013378	1/4" PLASTIC PLUG



**⚠ DANGER** Before removing box cover, the platform must be lowered and locked. For safety, tie the ground cable to the control disconnect.

REV.	DATE	CHANGE RECORD	BY	APPVD	ECN	DRAFT 2"	ANGULAR ±1"	SALES CATEGORY	PRODUCT LINE	SCALE 1:6	FIN. WT. 15.28	PART NO. 4949			
D	8/8/16	REMOVED (1) 9023, (3) 9028	AAS		1685										
C	9/4/13	CHANGED (3) 9028 TO (5) 9028, ADDED (4) 13378	LSB		955										
B	11/19/10	REPLACED KITS WITH INDIVIDUAL PARTS	JCB		371										
A	7/25/06	DRAWN IN AUTOCAD	JCB	KGJ											
						THIRD ANGLE PROJECTION		FILENAME:		WOODBINE MFG. CO. BUS BROWN DRIVE WOODBINE, IOWA 51579  THE INFORMATION HERE IS CONFIDENTIAL AND MUST NOT BE USED IN ANYWAY DETRIMENTAL TO THE INTEREST OF WOODBINE MFG.					
								SYMBOLY PER ANSI Y14.5					NOTES:		
						MACHINE SAW, DRILL .030 .015 SHEAR, PUNCH FORM .060 .030 TORCH, WELDING ROUGH CAST .090 .060		DRAWN BY: JCB							
								DRAWN/DATE: 7/25/06							
								APPVD/DATE		TITLE: G2 REPLACEMENT BOX COVER (60)					