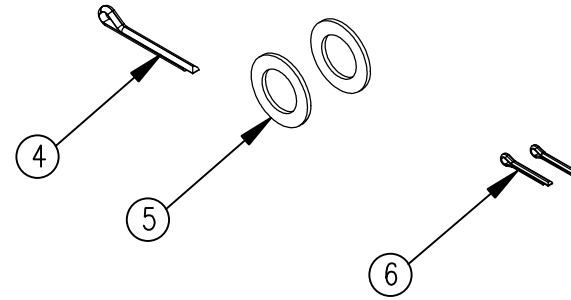
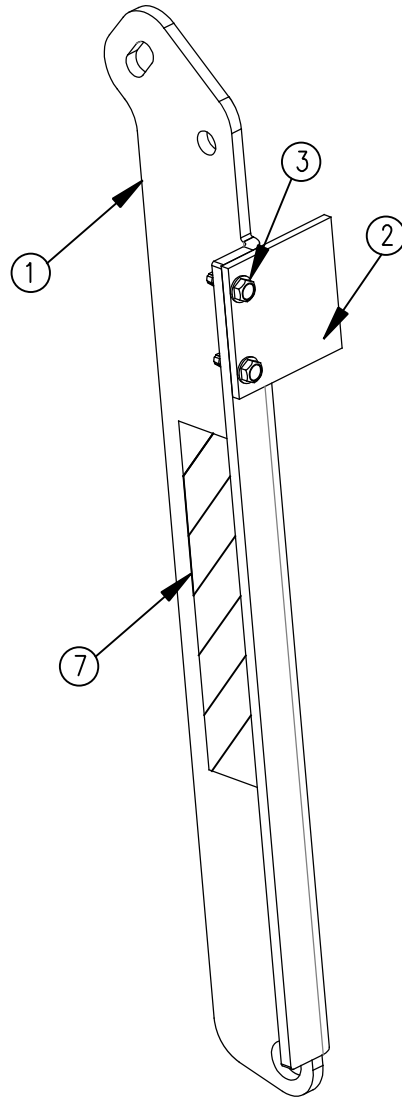


| ITEM NO. | QTY. | PART NO. | DESCRIPTION |
|----------|------|----------|---|
| 1 | 1 | 013977 | .25"x4.67"x21.63"DROP CHAIN ARM BF LEFT |
| 2 | 1 | 013979 | .18"x2.63"x2.63"RUBBER BELTING-BF |
| 3 | 2 | 013980 | 1/4-20x3/4" SS TY F HEX HD |
| 4 | 1 | 004720 | 1/4"x2" COTTER PIN |
| 5 | 2 | 000622 | 3/4"IDx1-1/4"OD FLAT WASHER (650) *ZP* |
| 6 | 2 | 004721 | 1/8"x3/4" COTTER PIN |
| 7 | 1 | 003081 | WARNING TAPE DECAL |
| 8 | 1 | 095201 | BF FOLDING ARM REPLACEMENT INSTRUCTIONS |



| | | | | | | | | | | | | | | | | | | | | | | | | | |
|---------------------------|---------|------------------------|--|--|-------|-----|------------------------|---|---|--------------------|-------------------|------|-------------------|------|------|---------------------------|------|------|------------------|--|--|--|--|--|--|
| | | | | THIRD ANGLE PROJECTION | | | | | WOODBINE MFG. CO. BUS BROWN DRIVE WOODBINE, IOWA 51579 | | | | | | | | | | | | | | | | |
| | | | | | | | SYMBOLY PER ANSI Y14.5 | | NOTES: | | | | | | | | | | | | | | | | |
| | | | | <table border="1"> <tr> <td>DECIMAL</td> <td>2PLC</td> <td>3PLC</td> </tr> <tr> <td>MACHINE SAW, DRILL</td> <td>.030</td> <td>.015</td> </tr> <tr> <td>SHEAR, PUNCH FORM</td> <td>.060</td> <td>.030</td> </tr> <tr> <td>TORCH, WELDING ROUGH CAST</td> <td>.090</td> <td>.060</td> </tr> </table> | | | DECIMAL | 2PLC | 3PLC | MACHINE SAW, DRILL | .030 | .015 | SHEAR, PUNCH FORM | .060 | .030 | TORCH, WELDING ROUGH CAST | .090 | .060 | DRAWN BY. AAS | | | | | | |
| DECIMAL | 2PLC | 3PLC | | | | | | | | | | | | | | | | | | | | | | | |
| MACHINE SAW, DRILL | .030 | .015 | | | | | | | | | | | | | | | | | | | | | | | |
| SHEAR, PUNCH FORM | .060 | .030 | | | | | | | | | | | | | | | | | | | | | | | |
| TORCH, WELDING ROUGH CAST | .090 | .060 | | | | | | | | | | | | | | | | | | | | | | | |
| | | | | | | | DRAWN/DATE 3/10/16 | | | | | | | | | | | | | | | | | | |
| | | | | | | | | | <small>THE INFORMATION HERE IS CONFIDENTIAL AND MUST NOT BE USED IN ANYWAY DETRIMENTAL TO THE INTEREST OF WOODBINE MFG.</small> | | | | | | | | | | | | | | | | |
| A | 3/10/16 | RELEASED TO PRODUCTION | | AAS | 1593 | | | TITLE REPLACEMENT FOLDING ARM KIT-LEFT | | | | | | | | | | | | | | | | | |
| REV. | DATE | CHANGE RECORD | | BY | APPVD | ECN | DRAFT 2" | ANGULAR ±1" | SCALE NTS | FIN. WT. | PART NO. 14684 | | | | | | | | | | | | | | |