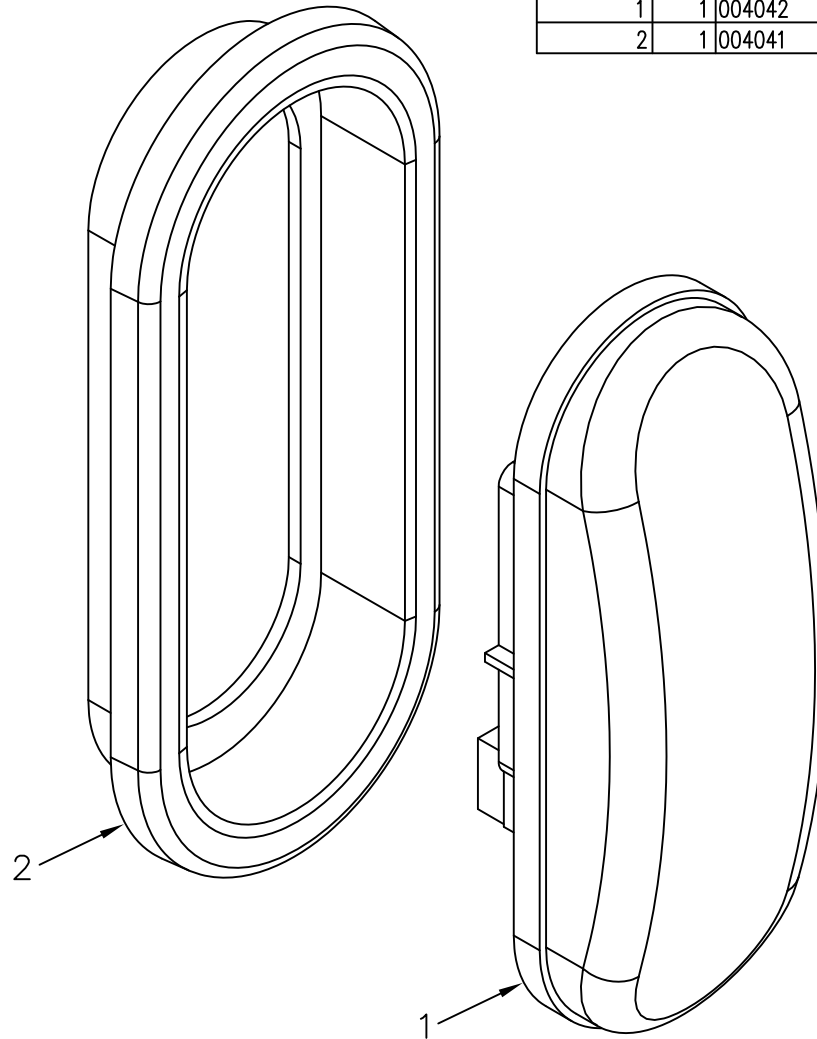


ITEM NO.	QTY.	PART NO.	DESCRIPTION
1	1	004042	RECESSED OVAL CLEAR LIGHT ONLY - ECONO 60 (12VDC)
2	1	004041	BLACK GROMMET - ECONO 60



				THIRD ANGLE PROJECTION			FILENAME:		WOODBINE MFG. CO. BUS BROWN DRIVE WOODBINE, IOWA 51579																
							SYMBOLY PER ANSI Y14.5		NOTES:																
				<table border="1"> <thead> <tr> <th>DECIMAL</th> <th>2PLC</th> <th>3PLC</th> </tr> </thead> <tbody> <tr> <td>MACHINE SAW, DRILL</td> <td>.030</td> <td>.015</td> </tr> <tr> <td>SHEAR, PUNCH FORM</td> <td>.060</td> <td>.030</td> </tr> <tr> <td>TORCH, WELDING ROUGH CAST</td> <td>.090</td> <td>.060</td> </tr> </tbody> </table>			DECIMAL	2PLC	3PLC	MACHINE SAW, DRILL	.030	.015	SHEAR, PUNCH FORM	.060	.030	TORCH, WELDING ROUGH CAST	.090	.060	DRAWN BY. DJR				712-647-2050		
DECIMAL	2PLC	3PLC																							
MACHINE SAW, DRILL	.030	.015																							
SHEAR, PUNCH FORM	.060	.030																							
TORCH, WELDING ROUGH CAST	.090	.060																							
D 11/9/10				REMOVED 4039			JCB		365		<small>THE INFORMATION HERE IS CONFIDENTIAL AND MUST NOT BE USED IN ANYWAY DETRIMENTAL TO THE INTEREST OF WOODBINE MFG.</small>														
C 6/19/07				UPDATED BOM			MTC KGJ				TITLE REPLACEMENT RECESSED OVAL CLEAR LIGHT w/GROMMET (12VDC)														
REV. DATE				CHANGE RECORD			BY APPVD ECN		DRAFT 2*		ANGULAR ±1*														
							SALES CATEGORY		PRODUCT LINE	SCALE	FIN. WT.	PART NO.													
									N	0.81	926														