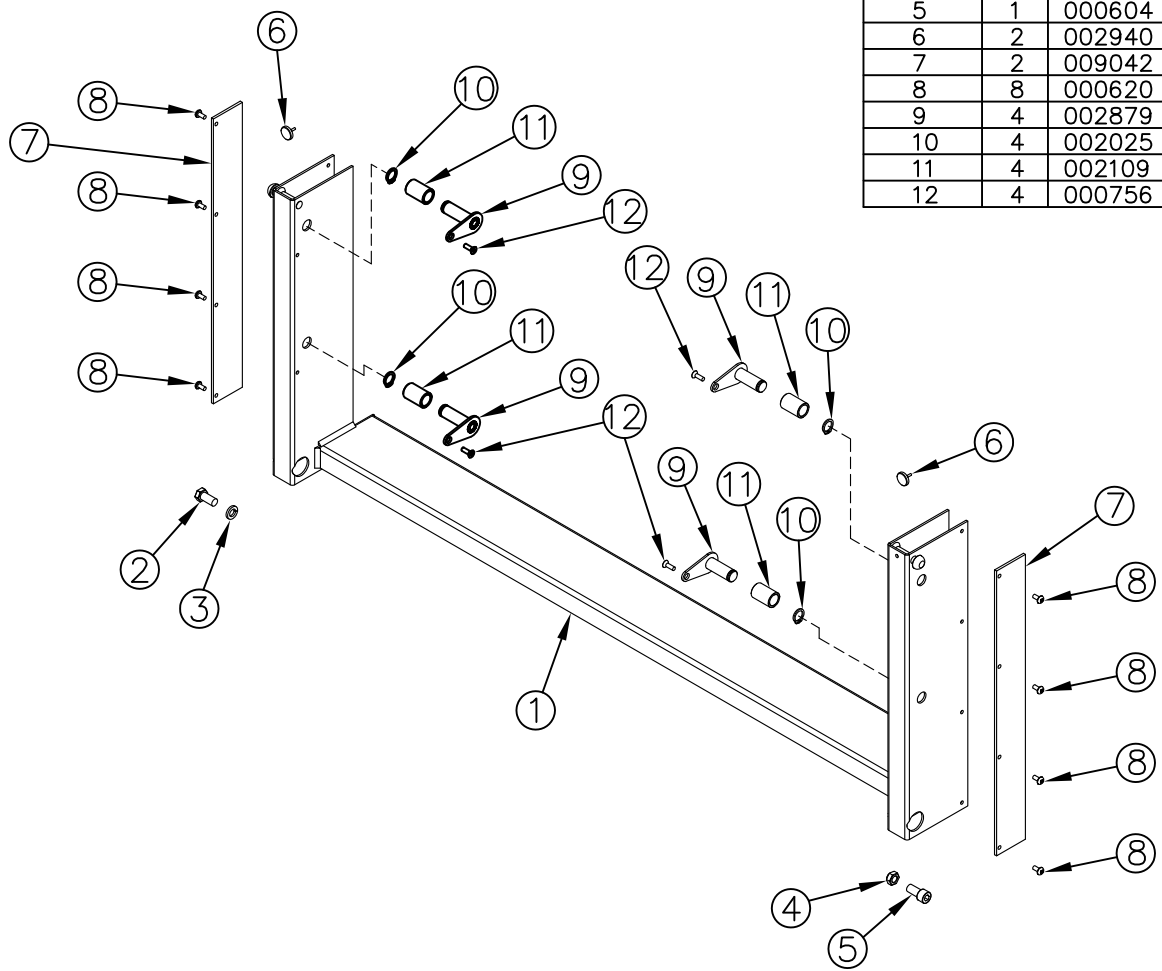


ITEM NO.	QTY.	PART NO.	DESCRIPTION
1	1	010729*	G2 SUB ASSEMBLY(54-42)
2	1	000587	1/2-13x1" HHCS GR5
3	1	000573	1/2" SPRING LOCK WASHER
4	1	000588	1/2-13 CROWN LOCK NUT
5	1	000604	1/2-13x1" USS SOC HD CAP S.S.
6	2	002940	G2 RUBBER BUMPER
7	2	009042	G2 SUB ASSEMBLY BELTING 21-3/8"
8	8	000620	1/4-20x1/2" PN HD TY FS(G2)
9	4	002879	.75"DIA.x2.109"PIN w/FLAT HEAD KEEPER(G2)
10	4	002025	3/4"EXTERNAL SNAP RING (G2) PLATED
11	4	002109	.75"IDx1"ODx1.5"BEARING (G2)
12	4	000756	1/4-20x3/4" PHI FH TYPE F SS



NOTE: "*" INDICATES INDIVIDUAL PARTS ARE LISTED IN ACCOUNTING.

					THIRD ANGLE PROJECTION			FILENAME:			WOODBINE MFG. CO. BUS BROWN DRIVE WOODBINE, IOWA 51579																	
								SYMBOLY PER ANSI Y14.5						NOTES:														
					<table border="1"> <tr> <td>DECIMAL</td> <td>2PLC</td> <td>3PLC</td> </tr> <tr> <td>MACHINE SAW, DRILL</td> <td>.030</td> <td>.015</td> </tr> <tr> <td>SHEAR, PUNCH FORM</td> <td>.060</td> <td>.030</td> </tr> <tr> <td>TORCH, WELDING ROUGH CAST</td> <td>.090</td> <td>.060</td> </tr> </table>			DECIMAL	2PLC	3PLC	MACHINE SAW, DRILL	.030	.015				SHEAR, PUNCH FORM	.060	.030	TORCH, WELDING ROUGH CAST	.090	.060	DRAWN BY. JCB			712-647-2050		
DECIMAL	2PLC	3PLC																										
MACHINE SAW, DRILL	.030	.015																										
SHEAR, PUNCH FORM	.060	.030																										
TORCH, WELDING ROUGH CAST	.090	.060																										
								DRAWN/DATE 6/3/11																				
								APPVD/DATE			TITLE																	
A 6/3/11					RELEASED TO PRODUCTION			JCB 449			G2 54-42 REPAIR SUB ASSEMBLY																	
REV. DATE					CHANGE RECORD			BY APPVD ECN			SALES CATEGORY			PRODUCT LINE	SCALE	FIN. WT.	PART NO.											
								DRAFT 2"			ANGULAR ±1"		1:12		11302													

THE INFORMATION HERE IS CONFIDENTIAL AND MUST NOT BE USED IN ANYWAY DETRIMENTAL TO THE INTEREST OF WOODBINE MFG.