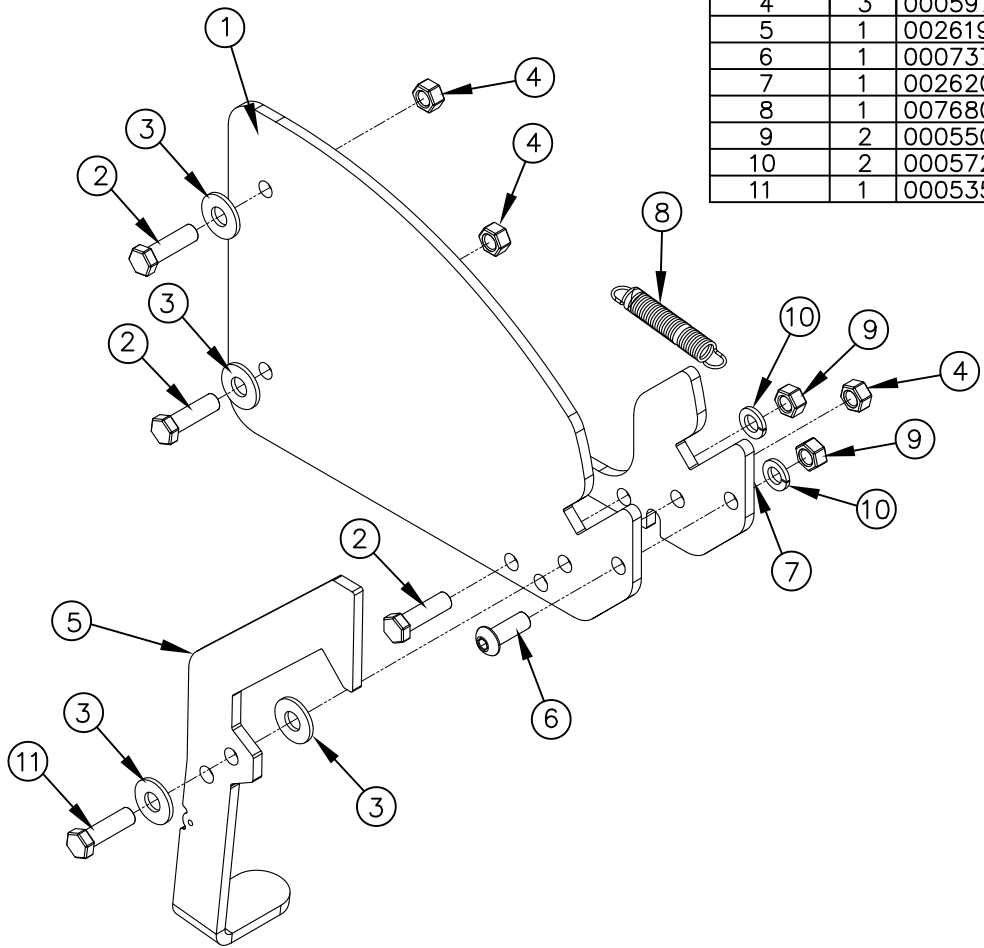


| ITEM NO. | QTY. | PART NO. | DESCRIPTION |
|----------|------|----------|---|
| 1 | 1 | 002593 | PLATED 0.25"x8"x11.563" AL LATCH (R-FOLD) |
| 2 | 3 | 000510 | 3/8-16x1-1/4" HHCS GR5 |
| 3 | 4 | 000575 | 3/8 USS FLAT WASHER |
| 4 | 3 | 000597 | 3/8-16 2 WAY LOCK NUT |
| 5 | 1 | 002619 | .25" RAIL LATCH HDL-ZINC PLATED |
| 6 | 1 | 000737 | 3/8-16X1" BHCS GR5-ZINC PLATED |
| 7 | 1 | 002620 | RAIL LATCH WEAR PLATE-RT-ZINC PLATED |
| 8 | 1 | 007680 | RAIL LATCH SPRING-STAINLESS STEEL |
| 9 | 2 | 000550 | 3/8-16 2 GR5 HEX NUT |
| 10 | 2 | 000572 | 3/8" SPRING LOCK WASHER |
| 11 | 1 | 000535 | 3/8-16x1-1/2" HHCS GR5 |



| | | | | | THIRD ANGLE PROJECTION | | FILENAME: | | WOODBINE MFG. CO. | | | | | | | | | | | | | | | |
|---|-------|----------|----------|--|--|--|--|------|---|--------------------|--------------|-------|-------------------|----------|------|---------------------------|------|------|---------------|--|--------|--|----------------------|--|
| | | | | | | | SYMBOLY PER ANSI Y14.5 | | BUS BROWN DRIVE | | | | | | | | | | | | | | | |
| | | | | | <table border="1"> <tr> <th>DECIMAL</th> <th>2PLC</th> <th>3PLC</th> </tr> <tr> <td>MACHINE SAW, DRILL</td> <td>.030</td> <td>.015</td> </tr> <tr> <td>SHEAR, PUNCH FORM</td> <td>.060</td> <td>.030</td> </tr> <tr> <td>TORCH, WELDING ROUGH CAST</td> <td>.090</td> <td>.060</td> </tr> </table> | | DECIMAL | 2PLC | 3PLC | MACHINE SAW, DRILL | .030 | .015 | SHEAR, PUNCH FORM | .060 | .030 | TORCH, WELDING ROUGH CAST | .090 | .060 | DRAWN BY. JCB | | NOTES: | | WOODBINE, IOWA 51579 | |
| DECIMAL | 2PLC | 3PLC | | | | | | | | | | | | | | | | | | | | | | |
| MACHINE SAW, DRILL | .030 | .015 | | | | | | | | | | | | | | | | | | | | | | |
| SHEAR, PUNCH FORM | .060 | .030 | | | | | | | | | | | | | | | | | | | | | | |
| TORCH, WELDING ROUGH CAST | .090 | .060 | | | | | | | | | | | | | | | | | | | | | | |
| | | | | | | | DRAWN/DATE 9/24/08 | | 712-647-2050 | | | | | | | | | | | | | | | |
| | | | | | | | APPVD/DATE 3/10/09 | | | | | | | | | | | | | | | | | |
| B 3/10/09 REMOVED (1) PN 575; REPLACED (1) PN 510 WITH (1) PN 535 | | | | | JCB JCB | | TITLE ALUMINUM R-FOLD RAILGATE REPLACEMENT LATCH PLATE-RIGHT | | <small>THE INFORMATION HERE IS CONFIDENTIAL AND MUST NOT BE USED IN ANYWAY DETRIMENTAL TO THE INTEREST OF WOODBINE MFG.</small> | | | | | | | | | | | | | | | |
| REV. DATE CHANGE RECORD | | | | | BY APPVD ECN | | SALES CATEGORY 45 | | <table border="1"> <tr> <th>PRODUCT LINE</th> <th>SCALE</th> <th>FIN. WT.</th> <th>PART NO.</th> </tr> <tr> <td>8950</td> <td>1:4</td> <td>7.06</td> <td>2869</td> </tr> </table> | | PRODUCT LINE | SCALE | FIN. WT. | PART NO. | 8950 | 1:4 | 7.06 | 2869 | | | | | | |
| PRODUCT LINE | SCALE | FIN. WT. | PART NO. | | | | | | | | | | | | | | | | | | | | | |
| 8950 | 1:4 | 7.06 | 2869 | | | | | | | | | | | | | | | | | | | | | |