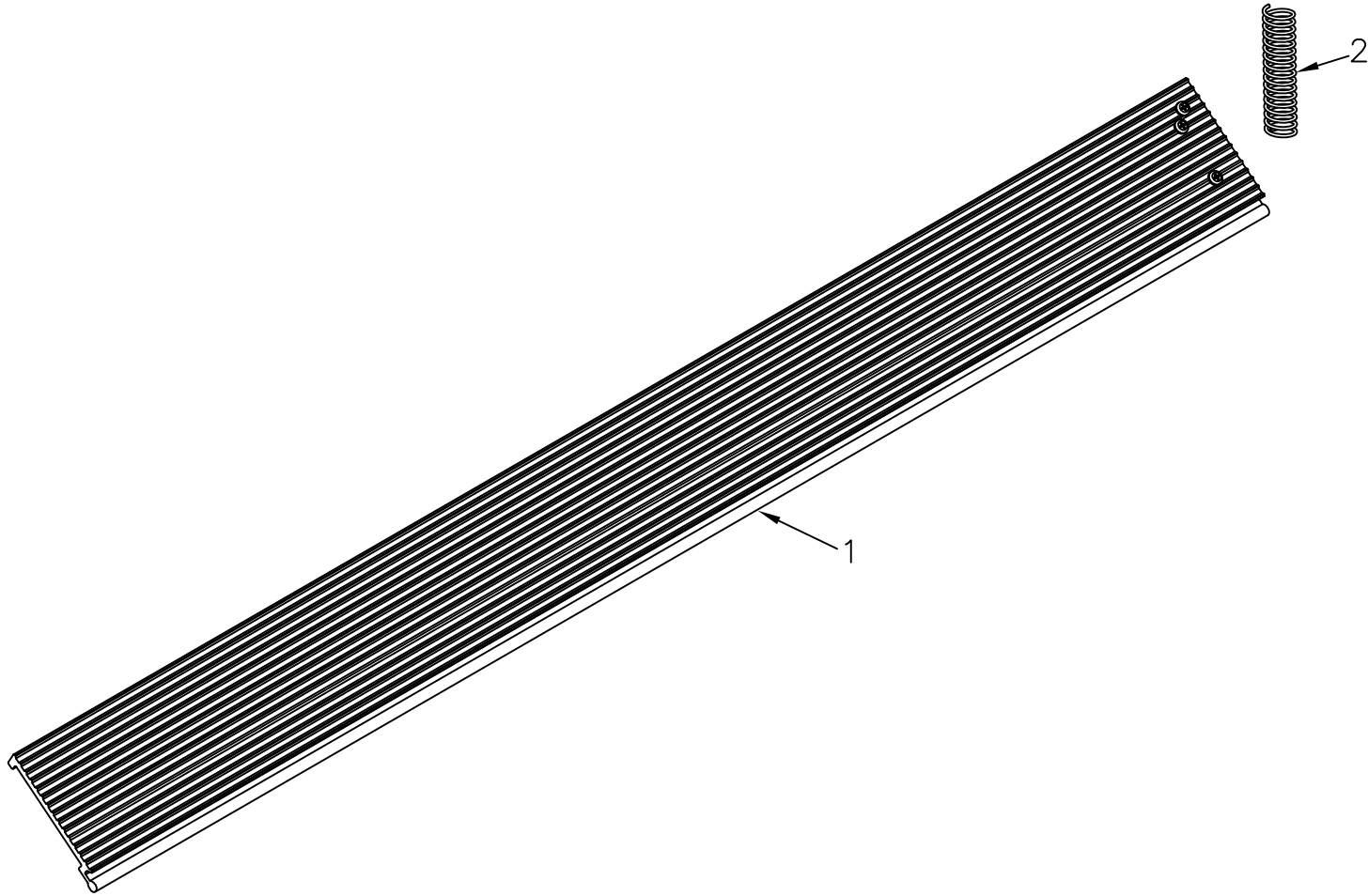
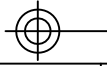



ITEM NO.	QTY.	PART NO.	DESCRIPTION
1	1	008423	ALUM. CARTSTOP TOP ASSEMBLY(R)79
2	1	003828	PLATFORM SPRING FOR RAIL CARTSTOP



							THIRD ANGLE PROJECTION 	FILENAME:		WOODBINE MFG. CO. BUS BROWN DRIVE WOODBINE, IOWA 51579
								SYMBOLY PER ANSI Y14.5	NOTES:	
							DECIMAL	2PLC	3PLC	712-647-2050
							MACHINE SAW, DRILL	.030	.015	
							SHEAR, PUNCH FORM	.060	.030	THE INFORMATION HERE IS CONFIDENTIAL AND MUST NOT BE USED IN ANYWAY DETRIMENTAL TO THE INTEREST OF WOODBINE MFG.
							TORCH, WELDING ROUGH CAST	.090	.060	
							DRAFT 2°	ANGULAR ±1°	SALES CATEGORY 45	TITLE REPLACEMENT RIGHT CARTSTOP ASSEMBLY(79) w/SPRING
REV.	DATE		CHANGE RECORD	BY	APPVD	ECN			PRODUCT LINE 1905	SCALE N
									FIN. WT.	PART NO. 8393