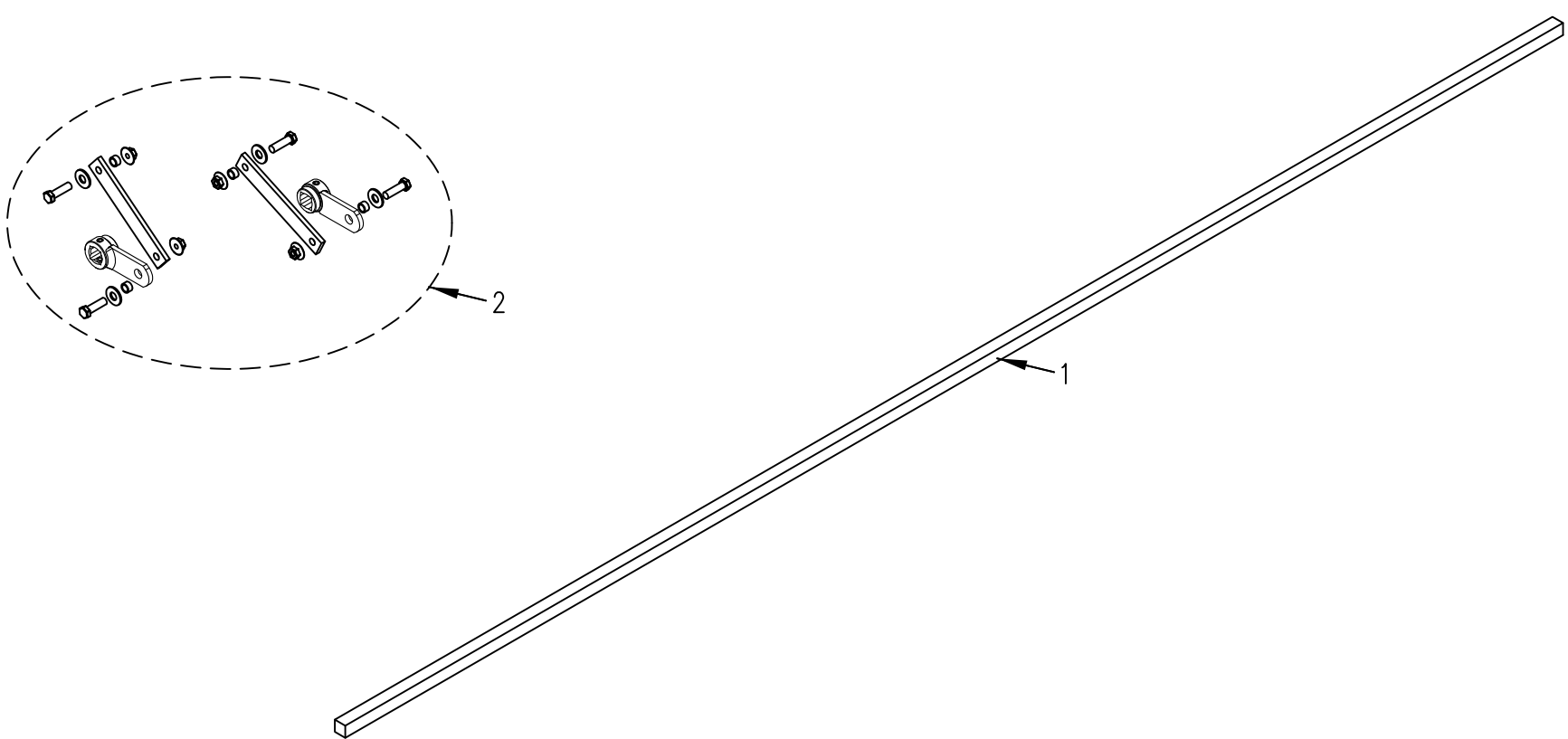



ITEM NO.	QTY.	PART NO.	DESCRIPTION
1	1	001973	3/4"SQ.X90-1/2" HRM BAR(SC)
2	1	008058	SELF CLOSE LINKAGE(COMPLETE)
3	1	095150	RAIL SC ARM AND LINKAGE ROD INSTRUCTIONS (16/20)



REV.		DATE	CHANGE RECORD	BY	APPVD	ECN	THIRD ANGLE PROJECTION		FILENAME:	NOTES:		WOODBINE MFG. CO. BUS BROWN DRIVE WOODBINE, IOWA 51579	
							DECIMAL	2PLC	3PLC				
D	1/23/17		ADDED (1) 95150	AAS		1783	MACHINE SAW, DRILL	.030	.015	DRAWN BY. DJR			
C	12/4/12		REPLACED (2 EA) 1910, 1936, (4 EA) 1906, 510, 553, 575 WITH (1) 8058	GDB		792	SHEAR, PUNCH FORM	.060	.030	DRAWN/DATE 7/28/03			<small>THE INFORMATION HERE IS CONFIDENTIAL AND MUST NOT BE USED IN ANYWAY DETRIMENTAL TO THE INTEREST OF WOODBINE MFG.</small>
B	5/2/12		REMOVED (4) 007711	GDB		649	TORCH, WELDING ROUGH CAST	.090	.060	APPVD/DATE	TITLE RAIL REPLACEMENT S-CLOSE ROD & LINK(89)		
							DRAFT 2'	ANGULAR ±1'	SALES CATEGORY	PRODUCT LINE	SCALE N	FIN. WT.	PART NO. 8059