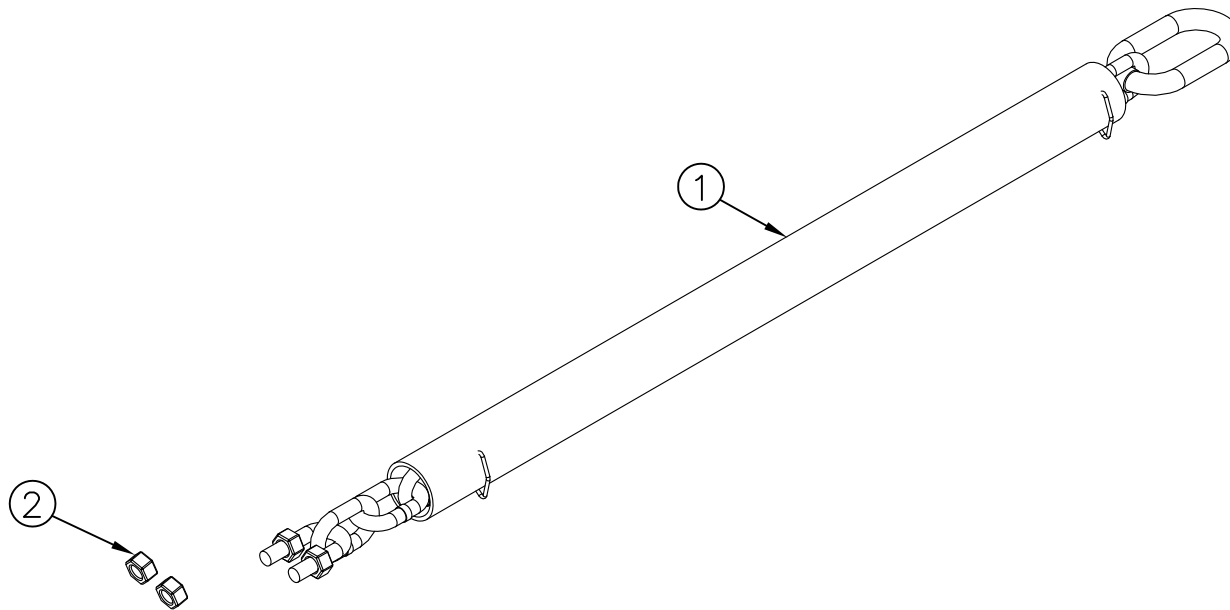


ITEM NO.	QTY.	PART NO.	DESCRIPTION
1	1	10176	CHAIN 24-LINKS(40G2)
2	2	605	3/8-16 USS CRWN LOCK NUT



						THIRD ANGLE PROJECTION	FILENAME: E:\KITS(Repair Parts)\G2\003883.dwg	WOODBINE MFG. CO. BUS BROWN DRIVE WOODBINE, IOWA 51579
							SYMBOLY PER ANSI Y14.5	NOTES:
						DECIMAL	2PLC	3PLC
						MACHINE SAW, DRILL	.030	.015
						SHEAR, PUNCH FORM	.060	.030
						TORCH, WELDING ROUGH CAST	.090	.060
C	9/25/09	CHANGED TO REFLECT PRODUCTION	LSB	LSB	206	DRAFT 2°	ANGULAR ±1°	SALES CATEGORY 45
REV.	DATE	CHANGE RECORD	BY	APPVD	ECN	APPVD/DATE 2/28/07	TITLE REPLACEMENT G2 PLATFORM CHAIN (24 LINKS)	PRODUCT LINE 1801
						SCALE N	FIN. WT. 1.74	PART NO. 3883

712-647-2050

THE ORIGINAL  
TOMMY GATE  
hydraulic lift

THE INFORMATION HERE IS CONFIDENTIAL  
AND MUST NOT BE USED IN ANYWAY  
DETRIMENTAL TO THE INTEREST OF  
WOODBINE MFG.