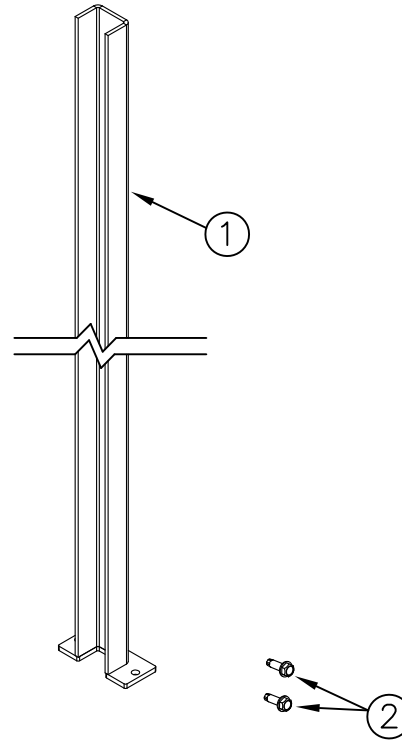



ITEM NO.	QTY.	PART NO.	DESCRIPTION
1	1	008134	STEEL ROLLER CHAIN COVER (N)
2	2	013980	1/4-20x3/4" SS TY F HEX HD



REV.	DATE	CHANGE RECORD	BY	APPVD	ECN	THIRD ANGLE PROJECTION	FILENAME:	SYMBOLY PER ANSI Y14.5	NOTES:	WOODBINE MFG. CO. BUS BROWN DRIVE WOODBINE, IOWA 51579																														
C	7/14/15	REPLACED 747 WITH 13980	AAS		1439	<table border="1"> <tr> <td>DECIMAL</td> <td>2PLC</td> <td>3PLC</td> </tr> <tr> <td>MACHINE SAW, DRILL</td> <td>.030</td> <td>.015</td> </tr> <tr> <td>SHEAR, PUNCH FORM</td> <td>.060</td> <td>.030</td> </tr> <tr> <td>TORCH, WELDING ROUGH CAST</td> <td>.090</td> <td>.060</td> </tr> <tr> <td>DRAFT 2°</td> <td colspan="2">ANGULAR ±1°</td> </tr> </table>	DECIMAL	2PLC	3PLC	MACHINE SAW, DRILL	.030	.015	SHEAR, PUNCH FORM	.060	.030	TORCH, WELDING ROUGH CAST	.090	.060	DRAFT 2°	ANGULAR ±1°		<table border="1"> <tr> <td>DRAWN BY.</td> <td>JCB</td> </tr> <tr> <td>DRAWN/DATE</td> <td>8/24/07</td> </tr> <tr> <td>APPVD/DATE</td> <td></td> </tr> </table>	DRAWN BY.	JCB	DRAWN/DATE	8/24/07	APPVD/DATE		<table border="1"> <tr> <td>SALES CATEGORY</td> <td>PRODUCT LINE</td> <td>SCALE</td> <td>FIN. WT.</td> <td>PART NO.</td> </tr> <tr> <td></td> <td></td> <td>1:6</td> <td></td> <td>7292</td> </tr> </table>	SALES CATEGORY	PRODUCT LINE	SCALE	FIN. WT.	PART NO.			1:6		7292	<p>712-647-2050</p>  <p>THE INFORMATION HERE IS CONFIDENTIAL AND MUST NOT BE USED IN ANYWAY DETRIMENTAL TO THE INTEREST OF WOODBINE MFG.</p>
DECIMAL	2PLC	3PLC																																						
MACHINE SAW, DRILL	.030	.015																																						
SHEAR, PUNCH FORM	.060	.030																																						
TORCH, WELDING ROUGH CAST	.090	.060																																						
DRAFT 2°	ANGULAR ±1°																																							
DRAWN BY.	JCB																																							
DRAWN/DATE	8/24/07																																							
APPVD/DATE																																								
SALES CATEGORY	PRODUCT LINE	SCALE	FIN. WT.	PART NO.																																				
		1:6		7292																																				
B	5/22/12	REPLACED 620 WITH 747	JCB		665																																			
A	8/24/07	DRAWN IN AUTOCAD	JCB	KGJ																																				